

SKIL®

Owner's Manual
Guide d'utilisation
Manual del propietario



Model/ Modelo/ Modèle:CR6413B-00

PWRCORE 20™ Brushless 20V 6-1/2 In. Circular Saw

**Scie circulaire PWRCORE 20™ sans balais
de 20 V, 6-1/2 po Scie circulaire**

**Sierra circular de 6-1/2 pulgadas de 20 V sin
escobillas PWRCORE 20™**

▲ WARNING: To reduce the risk of injury, the user must read and understand the Owner's Manual before using this product. Save these instructions for future reference.

▲ AVERTISSEMENT : Afin de réduire les risques de blessure, l'utilisateur doit lire et comprendre le guide d'utilisation avant d'utiliser cet article. Conservez le présent guide afin de pouvoir le consulter ultérieurement.

▲ ADVERTENCIA : Para reducir el riesgo de lesiones, el usuario debe leer y comprender el Manual del operador antes de utilizar este producto. Guarde estas instrucciones para consultarlas en caso sea necesario.



For Customer Service
Pour le service à la clientèle
Servicio al cliente

1-877-SKIL-999 OR www.skil.com

TABLE OF CONTENTS

GENERAL POWER TOOL SAFETY WARNINGS	3
SAFETY INSTRUCTIONS FOR ALL SAWS	5
SYMBOLS.....	7
GET TO KNOW YOUR CIRCULAR SAW	11
SPECIFICATIONS.....	12
ASSEMBLY.....	13
OPERATING INSTRUCTIONS	14
MAINTENANCE	22
TROUBLESHOOTING	23
LIMITED WARRANTY OF SKIL CONSUMER TOOLS	24

⚠ WARNING Drilling, sawing, sanding or machining wood products can expose you to wood dust, a substance known to the State of California to cause cancer. Avoid inhaling wood dust or use a dust mask or other safeguards for personal protection. For more information go to www.P65Warning.ca.gov/wood.

⚠ WARNING Some dust created by power sanding, sawing, grinding, drilling and other construction activities contains chemicals known to the State of California to cause cancer, birth defects or other reproductive harm. Some examples of these chemicals are:

- Lead from lead-based paints.
- Crystalline silica from bricks, cement, and other masonry products.
- Arsenic and chromium from chemically-treated lumber.

Your risk from these exposures varies, depending upon how often you do this type of work. To reduce your exposure to these chemicals:

- Work in a well-ventilated area.
- Work with approved safety equipment, such as dust masks that are specially designed to filter out microscopic particles.
- Avoid prolonged contact with dust from power sanding, sawing, grinding, drilling, and other construction activities. Wear protective clothing and wash exposed areas with soap and water. Allowing dust to get into your mouth or eyes or to lie on the skin may promote absorption of harmful chemicals.

GENERAL POWER TOOL SAFETY WARNINGS



Read all safety warnings, instructions, illustrations and specifications provided with this power tool. Failure to follow all instructions listed below may result in electric shock, fire and/or serious injury.

SAVE ALL WARNINGS AND INSTRUCTIONS FOR FUTURE REFERENCE.

The term “power tool” in the warnings refers to your mains-operated (corded) power tool or battery-operated (cordless) power tool.

Work area safety

Keep work area clean and well lit. Cluttered or dark areas invite accidents.

Do not operate power tools in explosive atmospheres, such as in the presence of flammable liquids, gases or dust. Power tools create sparks which may ignite the dust or fumes.

Keep children and bystanders away while operating a power tool. Distractions can cause you to lose control.

Electrical safety

Power tool plugs must match the outlet. Never modify the plug in any way. Do not use any adapter plugs with earthed (grounded) power tools. Unmodified plugs and matching outlets will reduce risk of electric shock.

Avoid body contact with earthed or grounded surfaces, such as pipes, radiators, ranges and refrigerators. There is an increased risk of electric shock if your body is earthed or grounded.

Do not expose power tools to rain or wet conditions. Water entering a power tool will increase the risk of electric shock.

Do not abuse the cord. Never use the cord for carrying, pulling or unplugging the power tool. Keep cord away from heat, oil, sharp edges or moving parts. Damaged or entangled cords increase the risk of electric shock.

When operating a power tool outdoors, use an extension cord suitable for outdoor use. Use of a cord suitable for outdoor use reduces the risk of electric shock.

If operating a power tool in a damp location is unavoidable, use a ground fault circuit interrupter (GFCI) protected supply. Use of a GFCI reduces the risk of electric shock.

Personal safety

Stay alert, watch what you are doing and use common sense when operating a power tool. Do not use a power tool while you are tired or under the influence of drugs, alcohol or medication. A moment of inattention while operating power tools may result in serious personal injury.

Use personal protective equipment. Always wear eye protection. Protective equipment such as a dust mask, non-skid safety shoes, hard hat or hearing protection used for appropriate conditions will reduce personal injuries.

Prevent unintentional starting. Ensure the switch is in the off-position before connecting to power source and/or battery pack, picking up or carrying the tool. Carrying power tools with your finger on the switch or energizing power tools that have the switch on invites accidents.

Remove any adjusting key or wrench before turning the power tool on. A wrench or a key left attached to a rotating part of the power tool may result in personal injury.

Do not overreach. Keep proper footing and balance at all times. This enables better control of the power tool in unexpected situations.

Dress properly. Do not wear loose clothing or jewelry. Keep your hair, and clothing away from moving parts. Loose clothes, jewelry or long hair can be caught in moving parts.

If devices are provided for the connection of dust extraction and collection facilities, ensure these are connected and properly used. Use of dust collection can reduce dust-related hazards.

Do not let familiarity gained from frequent use of tools allow you to become complacent and ignore tool safety principles. A careless action can cause severe injury within a fraction of a second.

Power tool use and care

Do not force the power tool. Use the correct power tool for your application. The correct power tool will do the job better and safer at the rate for which it was designed.

Do not use the power tool if the switch does not turn it on and off. Any power tool that cannot be controlled with the switch is dangerous and must be repaired.

Disconnect the plug from the power source and/or remove the battery pack, if detachable, from the power tool before making any adjustments, changing accessories, or storing power tools. Such preventive safety measures reduce the risk of starting the power tool accidentally.

Store idle power tools out of the reach of children and do not allow persons unfamiliar with the power tool or these instructions to operate the power tool. Power tools are dangerous in the hands of untrained users.

Maintain power tools and accessories. Check for misalignment or binding of moving parts, breakage of parts and any other condition that may affect the power tool's operation. If damaged, have the power tool repaired before use. Many accidents are caused by poorly maintained power tools.

Keep cutting tools sharp and clean. Properly maintained cutting tools with sharp cutting edges are less likely to bind and are easier to control.

Use the power tool, accessories and tool bits etc. in accordance with these instructions, taking into account the working conditions and the work to be performed. Use of the power tool for operations different from those intended could result in a hazardous situation.

Keep handles and grasping surfaces dry, clean and free from oil and grease. Slippery handles and grasping surfaces do not allow for safe handling and control of the tool in unexpected situations.

Battery tool use and care

Recharge only with the charger specified by the manufacturer. A charger that is suitable for one type of battery pack may create a risk of fire when used with another battery pack.

Use power tools only with specifically designated battery packs. Use of any other battery packs may create a risk of injury and fire.

When battery pack is not in use, keep it away from other metal objects, like paper clips, coins, keys, nails, screws or other small metal objects, that can make a connection from one terminal to another. Shorting the battery terminals together may cause burns or a fire.

Under abusive conditions, liquid may be ejected from the battery; avoid contact. If contact accidentally occurs, flush with water. If liquid contacts eyes, additionally seek medical help. Liquid ejected from the battery may cause irritation or burns.

Do not use a battery pack or tool that is damaged or modified. Damaged or modified batteries may exhibit unpredictable behavior resulting in fire, explosion or risk of injury.

Do not expose a battery pack or tool to fire or excessive temperature. Exposure to fire or temperature above 265 °F (130 °C) may cause explosion.

Follow all charging instructions and do not charge the battery pack or tool outside the temperature range specified in the instructions. Charging improperly or at temperatures outside the specified range may damage the battery and increase the risk of fire.

Service

Have your power tool serviced by a qualified repair person using only identical replacement parts. This will ensure that the safety of the power tool is maintained.

Never service damaged battery packs. Service of battery packs should only be performed by the manufacturer or authorized service providers.

SAFETY INSTRUCTIONS FOR ALL SAWS

Cutting procedures

 DANGER **Keep hands away from cutting area and the blade. Keep your second hand on the auxiliary handle or motor housing.** If both hands are holding the saw, they cannot be cut by the blade.

Do not reach underneath the workpiece. The guard cannot protect you from the blade below the workpiece.

Adjust the cutting depth to the thickness of the workpiece. Less than a full tooth of the blade teeth should be visible below the workpiece.

Never hold the workpiece in your hands or across your leg while cutting. Secure the workpiece to a stable platform. It is important to support the work properly to minimize body exposure, blade binding, or loss of control.

Hold the power tool by insulated gripping surfaces, when performing an operation where the cutting tool may contact hidden wiring. Contact with a “live” wire will also make exposed metal parts of the power tool “live” and could give the operator an electric shock.

When ripping, always use a rip fence or straight edge guide. This improves the accuracy of cut and reduces the chance of blade binding.

Always use blades with correct size and shape (diamond versus round) of arbor holes. Blades that do not match the mounting hardware of the saw will run-off center, causing loss of control.

Never use damaged or incorrect blade washers or bolt. The blade washers and bolt were specially designed for your saw, for optimum performance and safety of operation.

Kickback causes and related warnings

Kickback is a sudden reaction to a pinched, jammed or misaligned saw blade, causing an uncontrolled saw to lift up and out of the workpiece toward the operator.

When the blade is pinched or jammed tightly by the kerf closing down, the blade stalls and the motor reaction drives the unit rapidly back toward the operator.

If the blade becomes twisted or misaligned in the cut, the teeth at the back edge of the blade can dig into the top surface of the wood causing the blade to climb out of the kerf and jump back toward the operator.

Kickback is the result of saw misuse and/or incorrect operating procedures or conditions and can be avoided by taking proper precautions as given below.

Maintain a firm grip with both hands on the saw and position your arms to resist kickback forces. Position your body to either side of the blade, but not in line with the blade. Kickback could cause the saw to jump backwards, but kickback forces can be controlled by the operator, if proper precautions are taken.

When blade is binding, or when interrupting a cut for any reason, release the trigger and hold the saw motionless in the material until the blade comes to a complete stop. Never attempt to remove the saw from the work or pull the saw backward while the blade is in motion or kickback may occur. Investigate and take corrective actions to eliminate the cause of blade binding.

When restarting a saw in the workpiece, center the saw blade in the kerf so that the saw teeth are not engaged into the material. If the saw blade binds, it may walk up or kickback from the workpiece as the saw is restarted.

Support large panels to minimize the risk of blade pinching and kickback. Large panels tend to sag under their own weight. Supports must be placed under the panel on both sides, near the line of cut and near the edge of the panel.

Do not use dull or damaged blades. Unsharpened or improperly set blades produce narrow kerf, causing excessive friction, blade binding and kickback.

Blade depth and bevel adjusting locking levers must be tight and secure before making the cut. If blade adjustment shifts while cutting, it may cause binding and kickback.

Use extra caution when sawing into existing walls or other blind areas. The protruding blade may cut objects that can cause kickback.

Lower guard function

Check the lower guard for proper closing before each use. Do not operate the saw if the lower guard does not move freely and close instantly. Never clamp or tie the lower guard into the open position. If the saw is accidentally dropped, the lower guard may be bent. Raise the lower guard with the retracting handle and make sure that it moves freely and does not touch the blade or any other part, in all angles and depths of cut.

Check the operation of the lower guard spring. If the guard and the spring are not operating properly, they must be serviced before use. Lower guard may operate sluggishly due to damaged parts, gummy deposits, or a build-up of debris.

The lower guard may be retracted manually only for special cuts, such as “plunge cuts” and “compound cuts.” Raise the lower guard by the retracting handle and as soon as the blade enters the material, the lower guard must be released. For all other sawing, the lower guard should operate automatically.





Always observe that the lower guard is covering the blade before placing the saw down on the bench or floor. An unprotected, coasting blade will cause the saw to walk backwards, cutting whatever is in its path. Be aware of the time it takes for the blade to stop after switch is released.

SYMBOLS

Safety Symbols

The purpose of safety symbols is to attract your attention to possible dangers. The safety symbols and explanations with them deserve your careful attention and understanding. The symbol warnings do not, by themselves, eliminate any danger. The instructions and warnings they give are no substitutes for proper accident prevention measures.

⚠ WARNING Be sure to read and understand all safety instructions in this Owner's Manual, including all safety alert symbols such as "**DANGER**", "**WARNING**" and "**CAUTION**" before using this tool. Failure to follow all instructions listed below may result in electric shock, fire, and/or serious personal injury.

The definitions below describe the level of severity for each signal word. Please read the manual and pay attention to these symbols.	
	This is the safety alert symbol. It is used to alert you to potential personal injury hazards. Obey all safety messages that follow this symbol to avoid possible injury or death.
	DANGER indicates a hazardous situation which, if not avoided, will result in death or serious injury.
	WARNING indicates a hazardous situation which, if not avoided, could result in death or serious injury.
	CAUTION, used with the safety alert symbol, indicates a hazardous situation which, if not avoided, will result in minor or moderate injury.

Damage Prevention and Information Messages

These inform the user of important information and/or instructions that could lead to equipment or other property damage if they are not followed. Each message is preceded by the word "NOTICE", as in the example below:



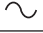





NOTICE Equipment and/or property damage may result if these instructions are not followed.





⚠ WARNING The operation of any power tools can result in foreign objects being thrown into your eyes, which can result in severe eye damage. Before beginning power tool operation, always wear safety goggles or safety glasses with side shields and a full face shield when needed. We recommend a Wide Vision Safety Mask for use over eyeglasses or standard safety glasses with side shields. Always use eye protection which is marked to comply with ANSI Z87.1.

SYMBOLS (CONTINUED)







IMPORTANT: Some of the following symbols may be used on your tool. Please study them and learn their meaning. Proper interpretation of these symbols will allow you to operate the tool better and more safely.

Symbol	Name	Designation/Explanation
V	Volts	Voltage (potential)
A	Amperes	Current
Hz	Hertz	Frequency (cycles per second)
W	Watt	Power
kg	Kilograms	Weight
min	Minutes	Time
s	Seconds	Time
Wh	Watt-hours	Battery capacity
Ah	Ampere-Hours	Battery capacity
\varnothing	Diameter	Size of drill bits, grinding wheels, etc.
n_0	No load speed	Rotational speed, at no load
n	Rated speed	Maximum attainable speed
.../min	Revolutions or reciprocation per minute	Revolutions, strokes, surface speed, orbits, etc. per minute
O	Off position	Zero speed, zero torque...
1,2,3,... I,II,III,	Selector settings	Speed, torque or position settings. Higher number means greater speed
0 	Infinitely variable selector with off	Speed is increasing from 0 setting
	Arrow	Action in the direction of arrow
	Alternating current	Type or a characteristic of current
	Direct current	Type or a characteristic of current
	Alternating or direct current	Type or a characteristic of current
	Class II tool	Designates Double Insulated Construction tools.
	Protective earth	Grounding terminal.
	Li-ion RBRC seal	Designates Li-ion battery recycling program

Symbol	Name	Designation/Explanation
	Read manual symbol	Alerts user to read manual
	Wear eye protection symbol	Alerts user to wear eye protection

SYMBOLS (CERTIFICATION INFORMATION)

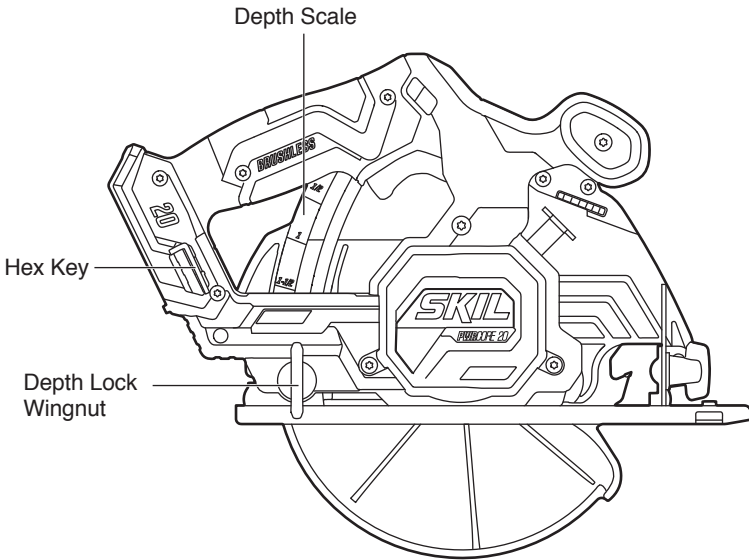
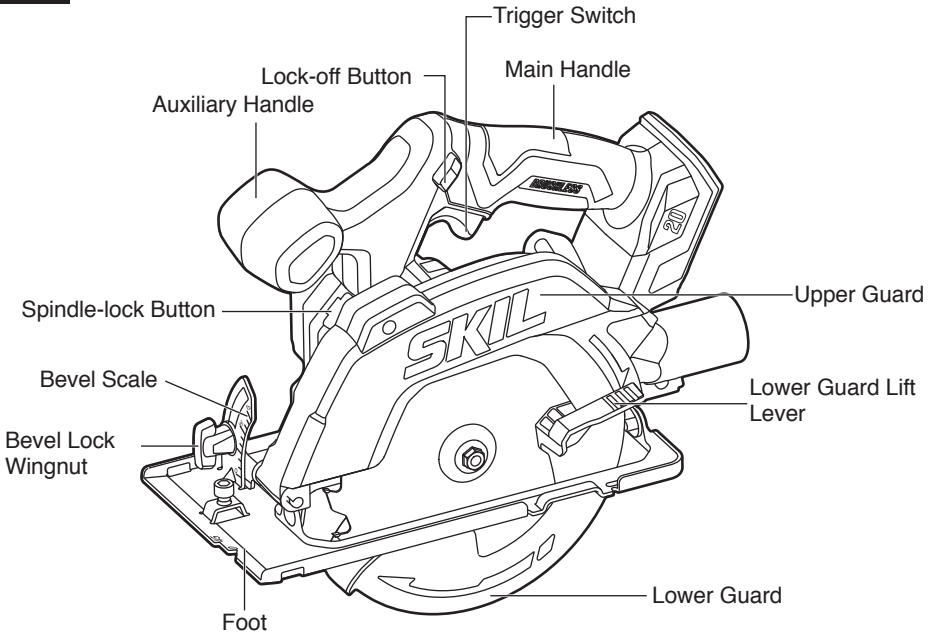
IMPORTANT: Some of the following symbols for certification information may be used on your tool. Please study them and learn their meaning. Proper interpretation of these symbols will allow you to operate the tool better and more safely.

Symbol	Designation/Explanation
	This symbol designates that this tool is listed by Underwriters Laboratories.
	This symbol designates that this component is recognized by Underwriters Laboratories.
	This symbol designates that this tool is listed by Underwriters Laboratories, to United States and Canadian Standards.
	This symbol designates that this tool is listed by the Canadian Standards Association.
	This symbol designates that this tool is listed by the Canadian Standards Association, to United States and Canadian Standards.
	This symbol designates that this tool is listed by the Intertek Testing Services, to United States and Canadian Standards.

GET TO KNOW YOUR CIRCULAR SAW

PWRCORE 20™ Brushless 20V 6-1/2 In. Circular Saw

Fig. 1



SPECIFICATIONS

Rated Voltage	20V d.c.
No-load Speed	5500/min (RPM)
Blade Diameter	6-1/2" (165mm)
Blade Arbor	5/8" (16mm)
Cutting Depth at 90°	2-1/4" (57mm)
Cutting Depth at 45°	1-5/8" (41mm)
Bevel Range	0° – 45°
Recommended Operating Temperature	14 – 104 °F (-10 – 40 °C)
Recommended Storage Temperature	32 – 104 °F (0 – 40 °C)

ASSEMBLY

Attaching/Detaching the Battery Pack (Fig. 2)

To attach the battery pack:

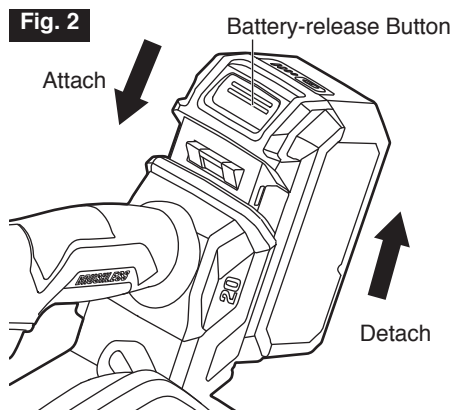
⚠ WARNING Battery tools are always in operating condition. Therefore, remove the battery when the tool is not in use or when carrying it at your side.

Align the raised rib on the battery pack with the grooves of the tool, and then slide the battery pack onto the tool. Make sure that the latch on the battery pack snaps into place and that the battery pack is secured to the tool before beginning operation.

NOTICE When placing the battery pack on the tool, be sure that the raised rib on the battery pack aligns with the groove inside the tool and that the latch snap into place properly. Improper attachment of the battery pack can cause damage to internal components.

To detach the battery pack:

Depress the battery-release button, located on the front of the battery pack, to release the battery pack. Pull the battery pack out and remove it from the tool.



Attaching the Blade (Fig. 3)

⚠ WARNING Detach the battery pack from the tool before performing any assembly, adjustments, or changing accessories. Such preventive safety measures reduce the risk of starting the tool accidentally.

⚠ WARNING This tool is for cutting wood only. Use only the correct saw blades for wood-cutting operations. Do not use any abrasive wheels.

⚠ WARNING Use only 6-1/2" saw blades rated 5500/min (RPM) or greater. NEVER use a blade that is so thick that it prevents the outer blade washer from engaging with the flat side of the spindle. Using a blade not designed for the saw may result in serious personal injury and property damage.

⚠ WARNING Be sure to wear protective work gloves while handling a saw blade. The blade can injure unprotected hands.

- Detach the battery pack from the tool.
- Insert the included hex key into the blade bolt.
- Press the spindle-lock button and turn the hex key until the lock button engages. The saw spindle is now locked. Continue to depress the spindle-lock button, turn the hex key clockwise, and remove the blade bolt and the outer washer. Always clean the spindle, upper guard, and lower guard to remove any dirt and sawdust.

⚠ WARNING Depress the spindle-lock button only when the tool is at a standstill.

- Make sure that the saw teeth and the arrow on the blade point in the same direction as the arrow on the lower guard.
- Retract the lower guard all the way up into the upper guard. While retracting the lower guard, check the operation and condition of the lower guard system.

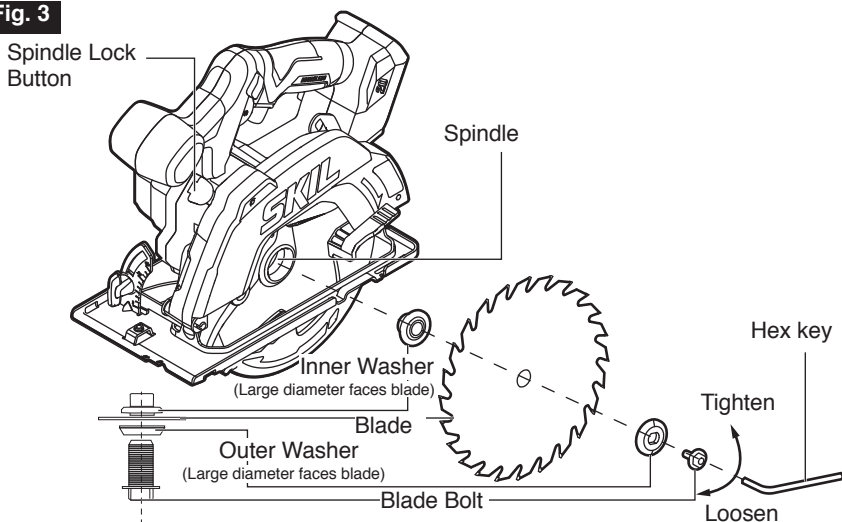
f. Slide the blade through the slot in the foot and mount it against the inner washer on the spindle. Be sure that the clamping surfaces of the inner and outer washers lay flush against the blade.

⚠ WARNING Make sure that the clamping surfaces of the inner and outer washers are perfectly clean and face the blade.

g. Reinstall the outer washer. First finger-tighten the blade bolt, then tighten the blade bolt 1/8 turn (45°) with the hex key (this ensures slippage of the saw blade when it encounters excessive resistance, thus reducing motor overload and saw kickback).

h. Insert the hex key back into its storage area on the circular saw.

Fig. 3



OPERATING INSTRUCTIONS

⚠ WARNING To reduce the risk of fire, personal injury, and product damage due to a short circuit, never immerse your tool, battery pack, or charger in fluid or allow a fluid to flow inside them. Corrosive or conductive fluids, such as seawater, certain industrial chemicals, bleach or bleach-containing products, etc. can cause a short circuit.

⚠ WARNING If any parts are damaged or missing, do not operate this product until the parts are replaced. Use of this product with damaged or missing parts could result in serious personal injury.

⚠ WARNING Do not attempt to modify this tool or create accessories not recommended for use with this tool. Any such alteration or modification is misuse and could result in a hazardous condition leading to possible serious injury.

⚠ WARNING Do not force the tool (apply light and continuous pressure in order to avoid overheating the blade tips).

⚠ WARNING To prevent accidental starting that could cause serious personal injury, always remove the battery pack from the tool when assembling parts.

This cordless circular saw must be used only with the battery packs and chargers listed below:

Battery Pack				Charger
2Ah	2.5Ah	4Ah	5Ah	
SKIL BY5100B-00 SKIL BY519701 SKIL BY519702	SKIL BY519703	SKIL BY519601 SKIL BY5140B-00	SKIL BY519603	SKIL SC535801 SKIL QC536001 SKIL QC5359B-02 SKIL SC0030B-00 SKIL SC5358B-02

NOTICE

Please refer to the battery and charger manuals for detailed operating information.

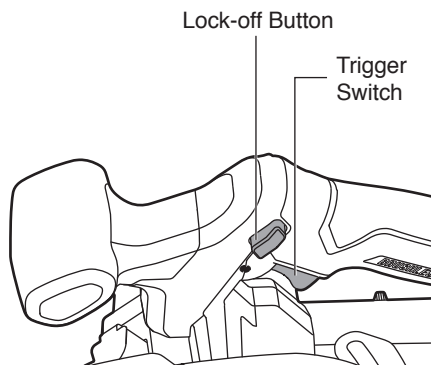
Trigger Switch and Lock-off Button (Fig. 4)

To turn the tool “ON”, press and hold the lock-off button with your thumb, then squeeze the trigger switch with your finger. Release the lock-off button and continue to squeeze the trigger for continued operation.

To turn the tool “OFF”, release the trigger switch, which is spring loaded and will return to the off position automatically.

Your saw should be running at full speed BEFORE starting the cut, and turned off only AFTER completing the cut. To increase switch life, do not turn switch on and off while cutting.

Fig. 4

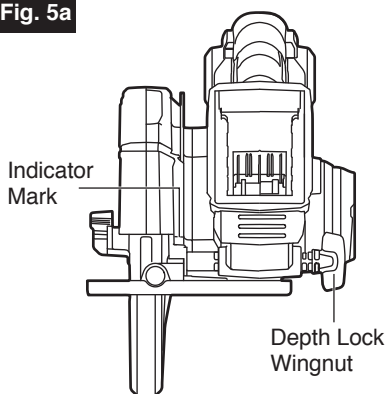


Depth Adjustment (Fig. 5a)

Your tool is equipped with a depth lock wingnut located beside the main handle. To change the depth of cut:

- Detach the battery pack from the tool.
- Loosen the depth lock wingnut by rotating it counterclockwise.
- Hold the foot of the saw flat against the edge of the workpiece and then raise or lower the saw until the indicator aligns with the desired depth mark on the depth scale.
- Securely tighten the depth lock wingnut at the desired depth by rotating it clockwise.

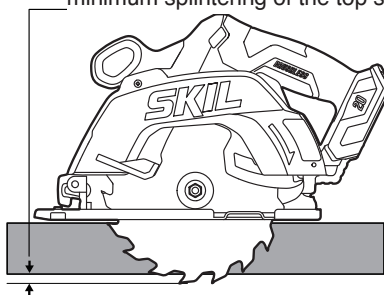
Fig. 5a



NOTICE Check the depth setting. Not more than one tooth length of the blade should extend below the material to be cut (Fig. 5b).

Fig. 5b

Not more than one tooth length should penetrate the wood for minimum splintering of the top side

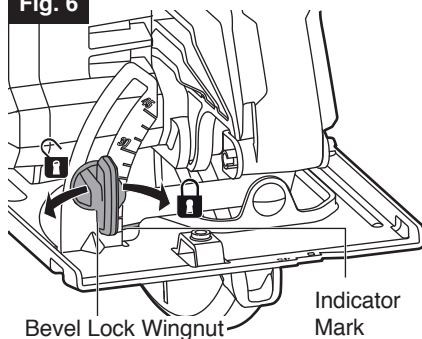


Bevel Adjustment (Fig. 6)

Your tool is equipped with a bevel lock wingnut for changing the cutting angle. To change the cutting angle:

- Detach the battery pack from the tool.
- Loosen the bevel lock wingnut by rotating it counterclockwise.
- Tilt the foot until the bevel indicator mark reaches the desired setting on the bevel scale.
- Securely tighten the bevel lock wingnut by rotating it clockwise.

Fig. 6



WARNING Attempting to make bevel cuts without the bevel lock wingnut securely tightened can result in serious injury.

WARNING Because of the increased amount of blade engagement in the work and decreased stability of the foot, blade binding may occur during a bevel cut. Keep the saw steady and the foot firmly on the workpiece.

NOTE: When bevel cutting, the depth of cut will not correspond with value on the depth scale.

NOTE: Since the blade thicknesses vary and different angles require different settings, always make a trial cut in scrap material along a guideline to determine how much you should offset the guideline on the workpiece to be cut.

Line Guide (Fig. 7)

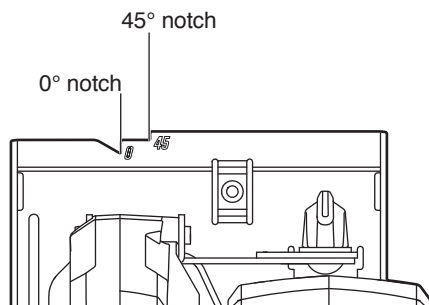
There are two cutting guide notches on the foot. The cutting guide notches will indicate an approximate line of cut.

Use the 0° notch on the right as a visual guide for a straight 90° cut. For a 45° bevel cut, use the 45° notch on the left (Fig. 7).

Make sample cuts in scrap lumber to verify the actual line of cut. This will be helpful as blade types and thicknesses vary.

To ensure minimum splintering on the good side of the material to be cut, face the good side down.

Fig. 7



LED Light (Fig. 8a)

Your tool is equipped with an LED light located under the upper guard. This provides additional illumination on the saw blade and the surface of the workpiece.

The LED light will automatically turn on with a slight squeeze of the trigger switch. It will turn off approximately 10 seconds after the trigger switch is released.

NOTE:

- The LED light will rapidly flash when the tool and/or battery pack becomes overloaded or too hot and the internal sensors will turn the tool off. Rest the tool for a while or place the tool and battery pack separately under air flow for cooling.

- The LED light will flash more slowly to indicate that the battery pack charge level is low. Recharge the battery pack.

NOTE: The dial built into the upper guard is designed to clean the LED light. When the LED light gets dim because of the sawdust accumulated on it, turn the dial in any direction to remove the sawdust and make the LED light bright again (Fig. 8b).

Fig. 8a

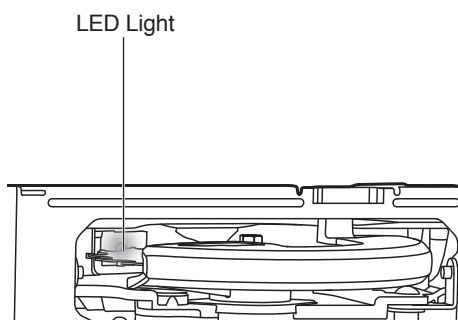
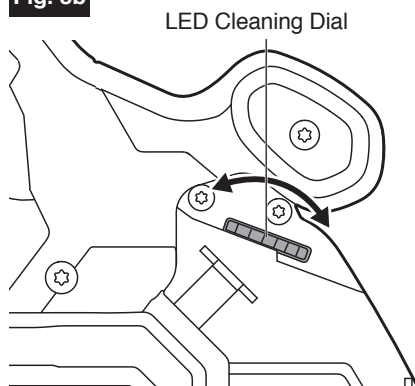
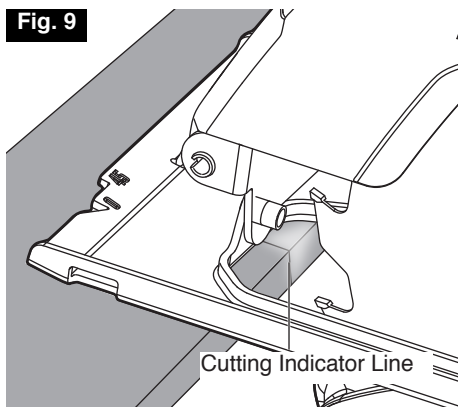


Fig. 8b



Cutting Indicator Line (Fig. 9)

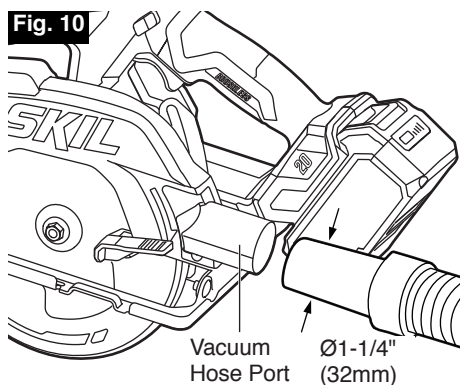
The tool is equipped with the function of cutting indicator line. The line will become visible automatically as soon as the LED light is turned on. Follow the line while cutting.



Vacuum Hose Port (Fig. 10)

Your saw is shipped with a vacuum hose port and a ST4x16 Phillips head screw to attach the hose port to the saw. The hose port accepts vacuum/dust extractor hoses with $\text{Ø}1\text{-}1/4''$ (32mm).

- Remove the battery pack.
- Attach the vacuum hose port to the saw using the included ST4X16 Phillips head screw.
- Attach a suitable vacuum/dust extractor hose or use an adapter, if necessary.
- Disconnect the vacuum hose when finish cutting.



⚠ WARNING Never allow a vacuum/ dust extractor hose to interfere with the lower guard or cutting operation.

Intended Use

This tool is designed to perform all wood-cutting applications: general cuts, cross cuts, rip cuts, and plunge cuts. Only use the tool to cut wood or wood-like materials.

NOTICE The tool is not designed for metal or masonry cutting. Dust and chips from those materials will impact lower guard function.

⚠ WARNING Do not use abrasive wheels with circular saws. Abrasive dust may cause lower guard to not operate properly.

General Cuts

⚠ WARNING Always be sure that neither hand interferes with the free movement of the lower guard.

⚠ WARNING After completing a cut and releasing the trigger, be aware of the necessary time it takes for the blade to come to a complete stop during coast down. Do not allow the saw to brush against your leg or side; since the lower guard is retractable, it could catch on your clothing and expose the blade. Be aware of the necessary blade exposures that exist in both the upper and lower guard areas.

Always hold the saw by the main handle with one hand and the auxiliary handle with the other. Maintain a firm grip with both hands on the saw and position your arms to resist kickback forces. Position your body to either side of the blade, but not in line with the blade.

To resume cutting after cutting is interrupted, press the lock-off button, squeeze the trigger, and allow the blade to reach full speed, then re-enter the cut slowly, and resume cutting.

When cutting across the grain, the fibers of the wood have a tendency to tear and lift. Advancing the saw slowly minimizes this effect. For a finished cut, a cross cut blade or miter blade is recommended.

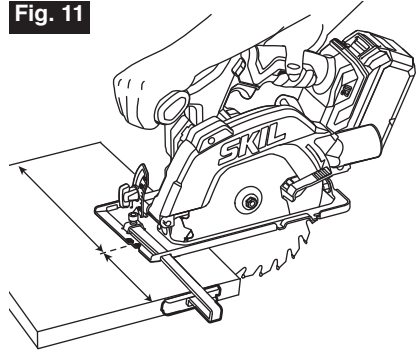
Cross Cuts/Rip Cuts

The combination blade provided with your saw is suitable for both cross cuts and rip cuts.

Ripping is cutting lengthwise with the grain of the wood.

Blade thicknesses vary, so you should always make a trial cut in scrap material along a guideline to determine how much the guideline must be offset from the guide to produce an accurate cut.

Fig. 11

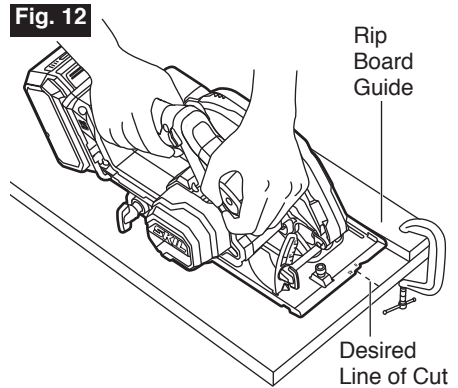


Rip Board Guide (Fig.12)

When rip cutting large sheets, clamp or nail a straight piece of 1" (25 mm) lumber to the sheet as a guide. Use the left side of the foot against the board guide.

⚠ WARNING Ensure that the clamps do not interfere with the free movement of the saw.

Fig. 12



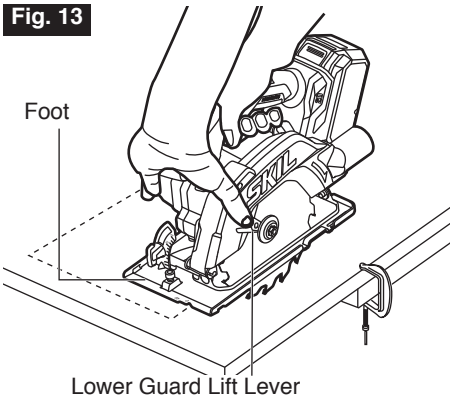
Plunge Cutting (Fig. 13)

⚠ WARNING Always adjust the bevel setting to zero before making a plunge cut. Attempting a plunge cut at any other setting can result in a loss of control of the saw, which can result in serious injury.

- Remove the battery pack from the circular saw.
- Set the depth according to the thickness of the material to be cut.
- Attach the battery pack.
- Hold the main handle of the saw with one hand, tilt the saw forward, and rest the front of the foot on the material to be cut. Align the cutting guide notch with the line you have drawn.
- Use the lower guard lift lever to raise the lower guard until you are able to grasp and hold the auxiliary handle with the other hand.
- Position the saw with the blade just above the material to be cut. Start the motor and once the blade is fully up to speed, gradually lower the back end of saw using the front end of the foot as the hinge point.
- Release the lower-guard lift lever as soon as the blade engages the workpiece.
- Once the foot plate rests flat on the surface being cut, proceed cutting in the forward direction to the end of cut.

⚠ WARNING Allow blade to come to a complete stop before lifting the saw from cut. Also, never pull the saw backward since blade will climb out of the material and KICKBACK will occur.

- Turn saw around and finish the cut in the normal manner, sawing forward. If corners of your plunge cut are not completely cut through, use a jig saw or hand saw to finish the corners.



Cutting Large Sheets

Large sheets and long boards sag or bend, depending on support. If you attempt to cut without leveling and properly supporting the piece, the blade will tend to bind, causing KICKBACK and extra load on the motor (Fig. 14a).

Support the panel or board close to the cut, as shown in (Fig. 14b). Be sure to set the depth of the cut so that you only cut through the sheet or board, not the table or work bench. The two-by-fours used to raise and support the work should be positioned so that the broadest sides support the work and rest on the table or bench. Do not support the work with the narrow sides as this is an unsteady arrangement. If the sheet or board to be cut is too large for a table or work bench, use the supporting two-by-fours on the floor and secure.

Fig. 14a

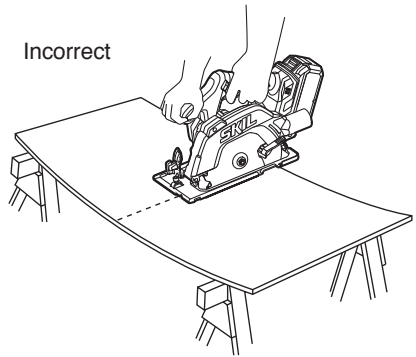
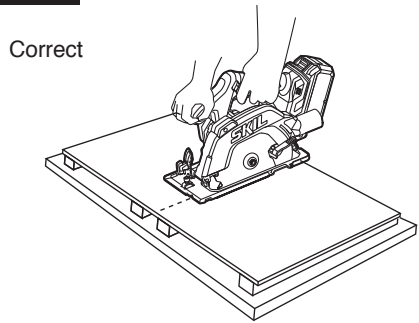


Fig. 14b



MAINTENANCE



To avoid serious personal injury, always remove the battery pack from the tool when cleaning or performing any maintenance.

Service



Preventive maintenance performed by unauthorized personal may result in misplacing of internal wires and components which could cause a serious hazard. We recommend that all tool service be performed by a SKIL Factory Service Center or Authorized SKIL Service Station.

General Maintenance



When servicing, use only identical replacement parts. Use of any other parts could create a hazard or cause product damage.

Periodically inspect the entire product for damaged, missing, or loose parts such as screws, nuts, bolts, caps, etc. Tighten securely all fasteners and caps and do not operate this product until all missing or damaged parts are replaced. Please contact customer service an authorized service center for assistance.

Cleaning

The tool may be cleaned most effectively with compressed dry air.



Always wear safety goggles when cleaning tools with compressed air. Ventilation openings and switch levers must be kept clean and free of foreign matter. Do not attempt to clean by inserting pointed objected through openings.

Storage

Store the tool indoors in a place that is inaccessible to children. Keep away from corrosive agents.

Care of Blades

Blades become dull even from cutting regular lumber. If you find yourself forcing the saw forward to cut instead of just guiding it through the cut, chances are the blade is dull or coated with wood pitch.

When cleaning gum and wood pitch from blade, detach the battery pack and remove the blade. Remember, blades are designed to cut, so handle them carefully. Wear gloves and wipe the blade with kerosene or similar solvent to remove the gum and pitch.

Unless you are experienced in sharpening blades, we recommend you do not try.

TROUBLESHOOTING

Problem	Cause	Remedy
Tool does not start.	1. Battery pack charge is depleted.	1. Charge the battery pack
	2. Battery pack is not installed properly.	2. Confirm that the battery is locked and secured to the tool.
	3. Burned out switch.	3. Have the switch replaced by an Authorized SKIL Service Center or Service Station.
Blade does not come up to speed.	1. Low battery charge.	1. Recharge the battery pack or use a fully charged pack.
Excessive vibration.	1. Blade out of balance.	1. Discard blade and use a different blade.
	2. Workpiece not clamped or supported properly.	2. Clamp or support workpiece properly.
The blade does not follow a straight line.	1. Blade teeth are dull.	1. Replace the blade with a new one.
	2. Foot is out of line or bent.	2. Have the tool repaired by an Authorized SKIL Service Center or Service Station.
	3. Blade is bent.	3. Replace the blade with a new one.
Cut binds, burns, stalls motor when ripping.	1. Dull blade or blade with improper tooth set.	1. Discard blade and use a different one.
	2. Blade binds.	2. Reassemble the blade and tighten the blade bolt as instructed in chapter "Attaching the Blade".
	3. Improper workpiece support.	3. Clamp or support workpiece properly.
The motor is running but the saw does not cut workpiece.	1. Blade slipping.	1. Reassemble the blade and tighten the blade bolt as instructed in chapter "Attaching the Blade".

LIMITED WARRANTY OF SKIL CONSUMER TOOLS

5 YEAR LIMITED WARRANTY- LEGAL

Chervon North America, Inc. ("Seller") warrants to the original purchaser only, that all SKIL consumer TOOLS will be free from defects in material or workmanship for a period of five years from date of purchase, if original purchaser registers the product within 30 days from purchase. BATTERIES AND CHARGERS are warranted for 2 years. Product registration can be completed online at www.Registermyskil.com. Original purchasers should also retain their receipt as proof of purchase. THE FIVE-YEAR WARRANTY PERIOD FOR TOOLS IS CONDITIONED ON REGISTRATION OF THE PRODUCT WITHIN 30 DAYS OF PURCHASE. If original purchasers do not register their product timely, the foregoing limited warranty will apply for a duration of three years for tools. All batteries and chargers will remain under the two-year limited warranty.

Notwithstanding the foregoing, if a SKIL consumer tool is used for industrial, professional or commercial purposes, the foregoing warranty will apply for a duration of ninety days, regardless of registration.

SELLER'S SOLE OBLIGATION AND YOUR EXCLUSIVE REMEDY under this Limited Warranty and, to the extent permitted by law, any warranty or condition implied by law, shall be the repair or replacement of parts, without charge, which are defective in material or workmanship and which have not been misused, carelessly handled, or repaired by persons other than Seller or Authorized Service Station. To make a claim under this Limited Warranty, you must return the complete product, transportation prepaid, to any SKIL Factory Service Center or Authorized Service Station. For Authorized SKIL Power Tool Service Stations, please visit www.Registermyskil.com or call 1-877-SKIL-999 (1-877-754-5999).

THIS LIMITED WARRANTY DOES NOT APPLY TO ACCESSORY ITEMS SUCH AS CIRCULAR SAW BLADES, DRILL BITS, ROUTER BITS, JIGSAW BLADES, SANDING BELTS, GRINDING WHEELS AND OTHER RELATED ITEMS.

ANY IMPLIED WARRANTIES APPLICABLE TO A PRODUCT SHALL BE LIMITED IN DURATION EQUAL TO THE DURATION OF THE EXPRESS WARRANTIES APPLICABLE TO SUCH PRODUCT, AS SET FORTH IN THE FIRST PARAGRAPH ABOVE. SOME STATES IN THE U.S., SOME CANADIAN PROVINCES DO NOT ALLOW LIMITATIONS ON HOW LONG AN IMPLIED WARRANTY LASTS, SO THE ABOVE LIMITATION MAY NOT APPLY TO YOU.

IN NO EVENT SHALL SELLER BE LIABLE FOR ANY INCIDENTAL OR CONSEQUENTIAL DAMAGES (INCLUDING BUT NOT LIMITED TO LIABILITY FOR LOSS OF PROFITS) ARISING FROM THE SALE OR USE OF THIS PRODUCT. SOME STATES IN THE U.S. AND SOME CANADIAN PROVINCES DO NOT ALLOW THE EXCLUSION OR LIMITATION OF INCIDENTAL OR CONSEQUENTIAL DAMAGES, SO THE ABOVE LIMITATION OR EXCLUSION MAY NOT APPLY TO YOU.

THIS LIMITED WARRANTY GIVES YOU SPECIFIC LEGAL RIGHTS, AND YOU MAY ALSO HAVE OTHER RIGHTS WHICH VARY FROM STATE TO STATE IN THE U.S., PROVINCE TO PROVINCE IN CANADA AND FROM COUNTRY TO COUNTRY.

THIS LIMITED WARRANTY APPLIES ONLY TO PRODUCTS SOLD WITHIN THE UNITED STATES OF AMERICA, CANADA AND THE COMMONWEALTH OF PUERTO RICO. FOR WARRANTY COVERAGE WITHIN OTHER COUNTRIES, CONTACT YOUR LOCAL SKIL DEALER OR IMPORTER.

© Chervon North America, 1203 E. Warrenville Rd, Naperville, IL 60563.

TABLE DES MATIÈRES

AVERTISSEMENTS GÉNÉRAUX RELATIFS À LA SÉCURITÉ POUR LES OUTILS ÉLECTRIQUES.....	26-28
CONSIGNES DE SÉCURITÉ POUR TOUTES LES SCIES.....	28-30
SYMBOLES	31-34
FAMILIARISEZ-VOUS AVEC VOTRE SCIE CIRCULAIRE	35
SPÉCIFICATIONS.....	36
ASSEMBLAGE.....	37-38
INSTRUCTIONS POUR L'UTILISATION	38-45
MAINTENANCE	46
RECHERCHE DE LA CAUSE DES PROBLÈMES	47
GARANTIE LIMITÉE DES OUTILS GRAND PUBLIC SKIL	48-49

⚠ AVERTISSEMENT Percer, scier, poncer ou usiner à la machine des produits en bois peut vous exposer à de la poussière de bois, une substance connue comme étant carcinogène par l'État de Californie. Évitez d'inhaler de la poussière de bois ou utilisez un masque antipoussières ou d'autres équipements de protection individuelle. Pour plus d'informations, rendez-vous sur le site www.P65Warnings.ca.gov/wood.

⚠ AVERTISSEMENT La poussière créée pendant le ponçage, le sciage, le polissage, le perçage et d'autres activités liées à la construction peut contenir des produits chimiques reconnus par l'État de la Californie comme étant la cause de cancer, d'anomalies congénitales et d'autres problèmes liés aux fonctions reproductrices. Voici des exemples de ces produits chimiques :

du plomb provenant de peintures à base de plomb;

- de la silice cristalline provenant de la brique, du ciment ou d'autres matériaux de maçonnerie;
- de l'arsenic et du chrome provenant du bois d'œuvre traité avec un produit chimique.

Les risques liés à l'exposition à ces produits varient selon le nombre de fois où vous pratiquez ces activités. Afin de limiter votre exposition à ces produits chimiques :

- travaillez dans un endroit bien ventilé;
- munissez-vous de l'équipement de sécurité approuvé tel que des masques antipoussières conçus spécialement pour filtrer les particules microscopiques;
- évitez l'exposition prolongée à la poussière causée par le ponçage mécanique, le sciage, le polissage, le perçage et d'autres activités liées à la construction; Portez des vêtements de protection et lavez à l'eau et au savon toutes les parties exposées. Les poussières pénétrant dans votre bouche ou dans vos yeux et les poussières se déposant sur votre peau peuvent causer l'absorption de produits chimiques dangereux.

AVERTISSEMENTS DE SÉCURITÉ GÉNÉRAUX RELATIFS AUX OUTILS ÉLECTRIQUES

⚠ AVERTISSEMENT Lisez tous les avertissements, instructions, illustrations et spécifications fournis avec cet outil électrique. Le non-respect des consignes de sécurité ci-dessous peut occasionner un choc électrique, un incendie ou des blessures graves.

CONSERVEZ TOUS LES AVERTISSEMENTS ET TOUTES LES INSTRUCTIONS AFIN DE POUVOIR LES CONSULTER ULTÉRIEUREMENT.

L'expression « outil électrique » utilisée dans les avertissements correspond aux outils électriques alimentés sur secteur (à fil) ou alimentés par piles (sans fil).

Mesures de sécurité dans l'aire de travail

L'aire de travail doit être propre et bien éclairée. Une aire de travail encombrée et peu éclairée augmente le risque d'accident.

N'utilisez pas d'outils électriques dans un milieu explosif, par exemple où il y a présence de liquides, de vapeurs ou de poussières inflammables. Les outils électriques produisent des étincelles susceptibles d'enflammer ces poussières ou ces vapeurs.

Gardez les enfants et les autres personnes à l'écart lorsque vous utilisez un outil électrique. Une distraction peut vous faire perdre la maîtrise de l'outil.

Consignes de sécurité relatives à l'électricité

Les fiches des outils électriques doivent correspondre à la prise. Ne modifiez jamais la fiche de quelque façon que ce soit. N'utilisez pas d'adaptateur avec les outils électriques mis à la terre. L'utilisation de fiches non modifiées dans les prises compatibles réduit les risques de choc électrique.

Évitez de toucher à des surfaces mises à la terre, par exemple, un tuyau, un radiateur, une cuisinière ou un réfrigérateur. Le contact du corps avec une surface mise à la terre augmente les risques de choc électrique.

N'exposez pas les outils électriques à la pluie ou à tout autre environnement humide. Les risques de choc électrique sont plus élevés si l'eau s'infiltré dans un outil électrique.

N'utilisez pas le cordon d'alimentation de façon abusive. Ne transportez jamais un outil électrique en le tenant par son cordon ou ne tirez jamais sur le cordon pour le débrancher. Tenez le cordon d'alimentation éloigné des sources de chaleur, de l'huile, des objets coupants et des pièces mobiles. Les risques de choc électrique sont plus élevés si le cordon d'alimentation est endommagé ou emmêlé.

Lorsque vous utilisez un outil électrique à l'extérieur, servez-vous d'une rallonge conçue pour être utilisée à l'extérieur. L'utilisation de ce type de rallonge réduit les risques de choc électrique.

Si vous n'avez d'autre choix que d'utiliser un outil électrique dans un endroit humide, utilisez une alimentation protégée par un disjoncteur différentiel. L'utilisation d'un disjoncteur différentiel réduit les risques de choc électrique.

Sécurité personnelle

Soyez vigilant, prêtez attention à ce que vous faites et usez de votre jugement lorsque vous utilisez un outil électrique. N'utilisez pas un outil électrique lorsque vous êtes fatigué ou sous l'effet de drogues, d'alcool ou de médicaments. Un moment d'inattention pendant que vous utilisez des outils électriques peut occasionner des blessures graves.

Portez de l'équipement de protection individuelle. Portez toujours des lunettes de sécurité. Le port d'équipement de protection, comme un masque antipoussières, des chaussures de sécurité antidérapantes, un casque de protection et des protecteurs auditifs, lorsque les conditions l'exigent, réduit les risques de blessures.

Prenez des mesures afin d'éviter que l'outil se mette en marche accidentellement. Assurez-vous que l'interrupteur est sur la position d'arrêt avant de brancher l'outil sur une source d'alimentation ou un bloc-piles, de ramasser l'outil ou de le transporter. Transporter les outils électriques avec le doigt sur la gâchette ou brancher les outils lorsque l'interrupteur est à la position de marche augmente les risques d'accident.

Retirez toutes les clés de réglage de l'outil électrique avant de mettre celui-ci en marche. Une clé de réglage oubliée sur une pièce rotative de l'outil électrique peut occasionner des blessures graves.

Ne vous étirez pas pour étendre votre portée. Gardez une posture sécuritaire et un bon équilibre en tout temps. Cela vous permet de mieux maîtriser l'outil électrique lorsque des situations inattendues se présentent.

Habillez-vous convenablement. Ne portez pas de vêtements amples ni de bijoux. Gardez vos cheveux, vos vêtements et vos gants loin des pièces mobiles. Les vêtements amples, les bijoux et les cheveux longs risquent de se prendre dans les pièces en mouvement.

Si un dispositif permet de raccorder un dépoussiéreur, assurez-vous que celui-ci est branché et utilisé de manière appropriée. L'emploi d'un dépoussiéreur contribue à réduire les dangers liés à la poussière.

Restez toujours sur vos gardes et suivez les principes de sécurité des outils, même s'il s'agit d'un outil que vous utilisez fréquemment. Il suffit d'être négligent une fraction de seconde pour se blesser gravement.

Utilisation et entretien d'un outil électrique

Ne forcez pas l'outil électrique. Utilisez l'outil électrique approprié à l'utilisation que vous envisagez. L'utilisation de l'outil électrique approprié permet d'obtenir de meilleurs résultats, de façon plus sécuritaire, selon le régime de fonctionnement prévu.

N'utilisez pas l'outil électrique si l'interrupteur ne fonctionne pas. Tout outil qui ne peut pas être contrôlé par l'interrupteur est dangereux et doit être réparé.

Déconnectez la prise de la source d'alimentation ou retirez le bloc-pile de l'outil électrique avant de le ranger ou de procéder à un ajustement ou un changement d'accessoire. Ces mesures de sécurité préventives réduisent les risques de mise en marche accidentelle de l'outil électrique.

Rangez les outils électriques inutilisés hors de la portée des enfants et ne laissez pas les personnes ne connaissant pas bien l'outil ou ces instructions utiliser l'outil. Les outils électriques sont dangereux s'ils se retrouvent entre les mains d'utilisateurs qui ne savent pas s'en servir.

Entretenez les outils électriques et les accessoires. Vérifiez les pièces mobiles pour vous assurer qu'elles ne sont pas désalignées, enrayées, brisées, ou dans un état qui pourrait nuire à leur fonctionnement. Si elles sont endommagées, faites-les réparer avant d'utiliser l'outil électrique. De nombreux accidents sont provoqués par des outils électriques mal entretenus.

Gardez vos outils tranchants affûtés et propres. Des outils tranchants bien entretenus et dont les lames sont affûtées risquent moins de se bloquer et sont plus faciles à maîtriser.

Utilisez l'outil électrique, les accessoires, les embouts et les autres éléments conformément aux présentes instructions, en tenant compte des conditions de travail et du travail à effectuer. L'utilisation de l'outil électrique à des fins autres que celles pour lesquelles il a été conçu pourrait entraîner une situation dangereuse.

Gardez les poignées et les prises sèches, propres et exemptes d'huile et de graisse. Les poignées et autres surfaces de préhension glissantes ne permettent pas de manipuler et de contrôler l'outil de façon sécuritaire en cas de situations inattendues.

Utilisation et entretien d'un outil alimenté par un bloc-piles

Rechargez uniquement le bloc-piles à l'aide du chargeur approuvé par le fabricant. Un chargeur conçu pour un type de bloc-piles peut causer un incendie s'il est utilisé avec un autre bloc-piles.

Utilisez les outils électriques uniquement avec les blocs-piles désignés. L'utilisation de tout autre bloc-piles peut constituer un risque de blessure et d'incendie.

Lorsque vous n'utilisez pas le bloc-piles, conservez-le à l'écart d'autres objets métalliques, comme des trombones, des pièces de monnaie, des clés, des clous, des vis et d'autres petits objets métalliques qui peuvent connecter une borne à une autre. Un court-circuit entre les bornes du bloc-piles peut occasionner des brûlures ou un incendie.

En cas d'usage abusif, du liquide peut s'échapper des piles; évitez tout contact avec celui-ci. En cas de contact accidentel, rincez à l'eau. En cas de contact avec les yeux, consultez un médecin. Le liquide provenant des piles peut causer de l'irritation ou des brûlures.

N'utilisez pas un bloc-piles ou un outil endommagé ou modifié. Les blocs-piles modifiés ou endommagés peuvent fonctionner de façon imprévisible et présenter un risque d'incendie, d'explosion ou de blessures.

N'exposez pas un bloc-piles ou un outil à un feu ou à une température excessive. L'exposition au feu ou à une température supérieure à 129,4 °C peut provoquer une explosion.

Suivez toutes les instructions pour le chargement et ne chargez pas le bloc-piles ou l'appareil en dehors de la plage de température spécifiée dans les instructions. Une recharge inadéquate ou effectuée à des températures en dehors de la plage spécifiée peut endommager le bloc-piles et augmenter le risque d'incendie.


Réparation

Demandez à un technicien qualifié qui utilise seulement des pièces de rechange identiques aux pièces d'origine d'effectuer l'entretien de votre outil électrique. Cela permet de maintenir l'outil électrique sécuritaire.

Ne réparez jamais un bloc-piles endommagé. Seuls le fabricant et les fournisseurs de services autorisés peuvent effectuer la réparation d'un bloc-piles.

CONSIGNES DE SÉCURITÉ POUR TOUTES LES SCIES

Procédures de coupe

 DANGER **Gardez les mains à une distance suffisante de la zone de coupe et de la lame. Gardez votre autre main sur la poignée auxiliaire ou sur le carter du moteur.** Si vos deux mains tiennent la scie, elles ne risquent pas d'être coupées par la lame.

Ne tendez jamais le bras en dessous de l'ouvrage. Le dispositif de protection ne peut pas vous protéger contre la lame en dessous de l'ouvrage.

Réglez la profondeur de coupe en fonction de l'épaisseur de l'ouvrage. Moins d'une dent pleine de la lame doit être visible en dessous de l'ouvrage.

Ne tenez jamais l'ouvrage dans vos mains ou sur vos jambes pendant la coupe. Sécurisez l'ouvrage sur une plateforme stable. Il est important de soutenir l'ouvrage correctement pour minimiser l'exposition du corps, le coincement de la lame ou la perte de contrôle.

Tenez l'outil électrique par ses surfaces de préhension isolées lorsque vous effectuez une opération dans le cadre de laquelle l'outil de coupe risque d'entrer en contact avec un fil caché. L'entrée en contact d'un outil de coupe avec un fil sous tension pourrait rendre conductrices des parties en métal exposées de l'outil électrique et causer un choc électrique à l'opérateur.

Lors d'une coupe en long, utilisez toujours un guide de refente ou un guide droit. Ceci améliore la précision de la coupe et réduit le risque de coincement de la lame.

Utilisez toujours des lames de scie avec des trous d'arbre de taille et de forme appropriées (diamantée plutôt que ronde). Les lames qui ne correspondent pas au matériel de fixation de la scie se décentreront et causeront une perte de contrôle.

N'utilisez jamais de rondelles de lame ou de boulon endommagés ou incorrects. Les rondelles de lame et le boulon ont été spécialement conçus pour votre scie, pour assurer des performances optimales et la sécurité du fonctionnement.

Causes des effets de rebond et avertissements associés

L'effet de rebond est une réaction soudaine à une lame de scie pincée, coincée ou mal alignée, provoquant le soulèvement et le retrait d'une scie non contrôlés depuis l'ouvrage en direction de l'opérateur.

Lorsque la lame est pincée ou coincée par la fermeture du trait de coupe, la lame se bloque et la réaction du moteur dirige rapidement l'outil vers l'opérateur.

Si la lame devient tordue ou mal alignée dans la coupe, les dents du bord arrière de la lame peuvent pénétrer dans la surface supérieure du bois, ce qui a pour conséquence que la lame sort du trait de coupe et se dirige violemment vers l'opérateur.

Le rebond est la conséquence d'une utilisation incorrecte de la scie et/ou de conditions inappropriées ou de procédures opérationnelles incorrectes ; il peut être évité en prenant des précautions appropriées, comme cela est indiqué ci-dessous.

Maintenez une prise ferme avec les deux mains sur la scie, et positionnez vos bras pour résister aux forces de l'effet de rebond. Placez votre corps de l'un quelconque des côtés de la lame, mais pas de manière qu'il soit aligné sur la trajectoire de la lame. L'effet de rebond pourrait faire reculer très vite la scie, mais l'opérateur peut contrôler les forces de l'effet de rebond si les précautions nécessaires sont prises.

Lorsque la lame se coince ou lorsque vous interrompez une coupe pour une raison quelconque, relâchez la gâchette et maintenez la scie immobile dans le matériau jusqu'à ce que la lame se soit complètement arrêtée.

N'essayez jamais de retirer la scie de l'ouvrage ou de tirer la scie vers l'arrière lorsque la lame est en mouvement, sans quoi un effet de rebond pourrait se produire. Inspectez la scie et prenez les mesures qui s'imposent pour éliminer la cause du blocage de la lame.

Lorsque vous remettez une scie dont la lame est engagée dans un ouvrage en marche, centrez la lame de la scie sur le trait de coupe de manière que les dents de la scie ne soient pas engagées dans le matériau. Si une lame de scie se coince, elle risque de remonter ou de rebondir hors de l'ouvrage lorsque la scie est remise en marche.

Soutenez les grands panneaux pour minimiser les risques de pincement de la lame de la scie et de choc en retour. Les grands panneaux ont tendance à s'affaisser sous leur propre poids. Les supports doivent être placés sous le panneau des deux côtés, près de la ligne de coupe et près du bord du panneau.

N'utilisez jamais de lames émoussées ou endommagées. Les lames mal affûtées ou mal réglées produisent un trait de coupe étroit provoquant un frottement excessif, le coincement de la lame et un effet de rebond.

Les leviers de verrouillage de la profondeur de la lame et du réglage du biseau doivent être serrés et sécurisés avant de procéder à la coupe. Si le réglage de la lame change pendant la coupe, cela peut provoquer un coincement et un effet de rebond.

Faites particulièrement attention lorsque vous sciez des murs existants ou d'autres structures sans visibilité. La lame saillante risquerait de couper des objets pouvant causer un effet de rebond.

Fonction du dispositif de protection inférieur

Inspectez le dispositif de protection inférieur de la lame pour vous assurer qu'il se ferme complètement avant chaque utilisation. N'utilisez pas la scie si le dispositif de protection inférieur de la lame ne se déplace pas librement et ne se ferme pas instantanément. N'immobilisez jamais (que ce soit par une bride ou un fil quelconque) le dispositif de protection de la lame en position ouverte. Si vous avez laissé tomber la scie accidentellement, il se peut que le dispositif de protection inférieur soit tordu. Soulevez le dispositif de protection inférieur avec la poignée rétractable et assurez-vous qu'il bouge librement et ne touche pas la lame ou toute autre pièce, à tous les angles et à toutes les profondeurs de la coupe.

Vérifiez le fonctionnement du ressort du dispositif de protection inférieur. Si le dispositif de protection et le ressort ne fonctionnent pas correctement, ils doivent être réparés avant toute nouvelle utilisation. Le dispositif de protection inférieur risque de fonctionner lentement à cause de pièces endommagées, de dépôts de gomme ou d'une accumulation de débris.

Le dispositif de protection inférieur ne peut être rétracté manuellement que pour des coupes spéciales telles que les « coupes plongeantes » et les « coupes composées ». Soulevez le dispositif de protection inférieur par la poignée rétractable et, dès que la lame pénètre dans le matériau, le dispositif de protection inférieur doit être relâché. Pour toutes les autres opérations de sciage, le dispositif de protection inférieur doit pouvoir fonctionner automatiquement.





Vérifiez toujours que le dispositif de protection inférieur couvre la lame avant de poser la scie sur un banc ou sur le sol. Une lame sans protection et en roue libre fera reculer la scie, coupant tout ce qui est sur son passage. Soyez au courant du temps qui est nécessaire pour que la lame s'arrête après le relâchement de l'interrupteur.

SYMBOLES

Symboles de sécurité

L'objectif des symboles de sécurité est d'attirer votre attention sur les dangers potentiels. Vous devez examiner attentivement et bien comprendre les symboles de sécurité et les explications qui les accompagnent. Les symboles d'avertissement en tant que tels n'éliminent pas le danger. Les consignes et les avertissements qui y sont associés ne remplacent en aucun cas les mesures préventives adéquates.

⚠ AVERTISSEMENT Assurez-vous de lire et de comprendre toutes les consignes de sécurité présentées dans le présent guide d'utilisation, notamment toutes les consignes de sécurité indiquées par « **DANGER** », « **AVERTISSEMENT** » et « **MISE EN GARDE** » avant d'utiliser cet outil. Le fait de ne pas respecter toutes les consignes de sécurité ci-dessous peut causer un choc électrique, un incendie ou des blessures graves.

Les définitions ci-dessous décrivent le degré de gravité pour chaque mot-indicateur. Veuillez lire ce guide et prêter attention à ces symboles.	
	Voici le pictogramme d'alerte de sécurité. Il sert à vous indiquer les risques potentiels de blessures. Respectez toutes les consignes de sécurité associées à ce pictogramme pour éviter les risques de blessures ou de mort.
	DANGER indique un danger imminent qui, s'il n'est pas évité, causera des blessures graves ou la mort.
	AVERTISSEMENT indique un risque pouvant entraîner des blessures graves ou la mort s'il n'est pas prévenu.
	MISE EN GARDE, utilisée avec le symbole d'alerte de sécurité, indique un risque potentiel qui, s'il n'est pas éliminé, provoquera des blessures mineures ou moyennement graves.

Messages d'information et de prévention des dommages

Ces messages contiennent des renseignements importants à l'intention de l'utilisateur ainsi que des consignes à respecter. Le non-respect de celles-ci peut occasionner des dommages à l'équipement ou d'autres dommages matériels. Chaque message est précédé du mot « AVIS », comme dans l'exemple ci-dessous :







AVIS Ne pas suivre ces consignes pourrait occasionner des dommages à l'équipement ou d'autres dommages matériels.






⚠ AVERTISSEMENT L'utilisation de tout outil électrique peut entraîner la projection de corps étrangers dans les yeux et ainsi causer des lésions oculaires graves. Lorsque vous utilisez un outil électrique, portez toujours des lunettes de sécurité pourvues d'écrans latéraux et d'un écran facial panoramique, au besoin. Nous recommandons le port d'un masque de sécurité panoramique par-dessus les lunettes ou de lunettes de sécurité standard avec écrans latéraux. Portez toujours des protecteurs oculaires conformes à la norme ANSI Z87.1.

SYMBOLES (SUITE)







IMPORTANT : Les symboles suivants peuvent figurer sur votre outil. Familiarisez-vous avec eux et apprenez leur signification. En comprenant ces symboles, vous serez en mesure de faire fonctionner cet outil de façon adéquate et sécuritaire.

Symbole	Nom	Forme au long et explication
V	Volts	Tension
A	Ampères	Courant
Hz	Hertz	Fréquence (cycles par seconde)
W	Watt	Puissance
kg	Kilogrammes	Poids
min	Minutes	Durée
s	Secondes	Durée
Wh	Watheures	Capacité de la pile
Ah	Ampères-heures	Capacité de la pile
∅	Diamètre	Taille des forets, des meules, etc.
n_0	Vitesse à vide	Vitesse de rotation à vide
n	Vitesse nominale	Vitesse maximale atteignable
.../min	Nombre de tours ou mouvements de va-et-vient par minute (tr/min)	Tours, coups, vitesse périphérique, orbites, etc., par minute
O	Position d'arrêt	Vitesse nulle, couple nul...
1,2,3,... I,II,III,	Réglages du sélecteur	Réglages de la vitesse, du couple ou de la position. Plus le nombre est élevé, plus la vitesse est grande.
	Sélecteur à réglage continu avec mode d'arrêt	La vitesse augmente à partir du réglage 0
	Flèche	L'activation se fait dans le sens de la flèche
	Courant alternatif (c.a.)	Type de courant ou caractéristique de courant
	Courant continu (c.c.)	Type de courant ou caractéristique de courant
	Courant alternatif ou continu (c.a./c.c.)	Type de courant ou caractéristique de courant
	Outil de classe II	Désigne les outils de construction à double isolation
	Mise à la terre de protection	Borne de mise à la terre

Symbole	Nom	Forme au long et explication
	<p>Label du programme de recyclage des piles au lithium-ion de la RBRC</p>	<p>Désigne le programme de recyclage des piles au lithium-ion</p>
	<p>Lisez les instructions</p>	<p>Invite l'utilisateur à lire le manuel</p>
	<p>Symbole du port de lunettes de sécurité</p>	<p>Alerte l'utilisateur pour lui demander de porter une protection des yeux.</p>

SYMBOLES (RENSEIGNEMENTS EN MATIÈRE D'HOMOLOGATION)

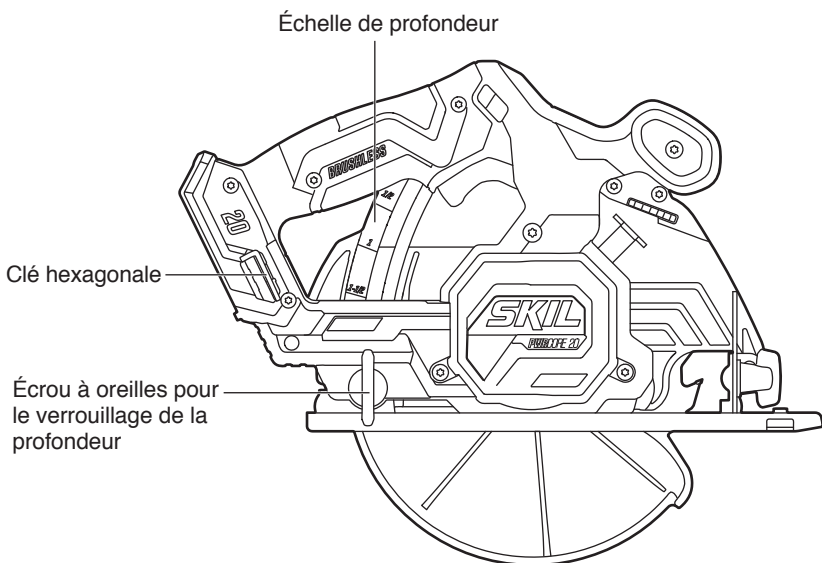
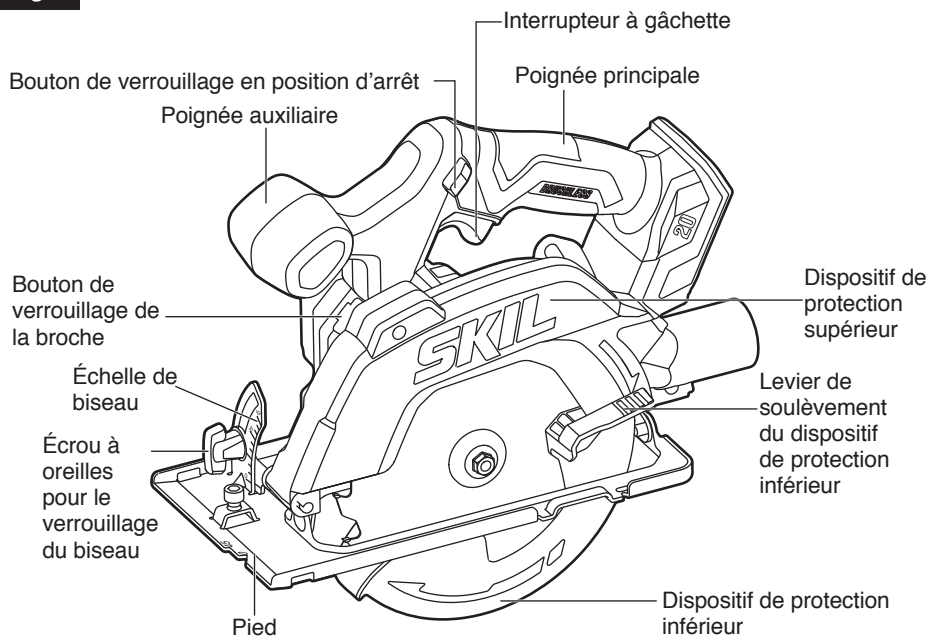
IMPORTANT: Certains des symboles suivants, qui fournissent des renseignements en matière d'homologation, peuvent figurer sur l'outil. Familiarisez-vous avec eux et apprenez leur signification. En comprenant ces symboles, vous serez en mesure de faire fonctionner cet outil de façon adéquate et sécuritaire.

Symbole	Forme au long et explication
	Ce symbole indique que cet outil est répertorié par Underwriters Laboratories.
	Ce symbole indique que ce composant est reconnu par Underwriters Laboratories.
	Ce symbole indique que cet outil est répertorié par Underwriters Laboratories et qu'il est conforme aux normes américaines et canadiennes.
	Ce symbole indique que cet outil est répertorié par l'Association canadienne de normalisation.
	Ce symbole indique que cet outil est répertorié par l'Association canadienne de normalisation et qu'il est conforme aux normes américaines et canadiennes.
	Ce symbole indique que cet outil est répertorié par Intertek Testing et qu'il est conforme aux normes américaines et canadiennes.

FAMILIARISEZ-VOUS AVEC VOTRE SCIE CIRCULAIRE

Scie circulaire PWRCORE 20™ sans balais de 20 V, 6-1/2 po Scie circulaire

Fig. 1



SPÉCIFICATIONS

Tension nominale	20 V c.c.
Vitesse à vide	5 500 tr/min
Diamètre de la lame	165mm / 6-1/2 po
Arbre de la lame	16 mm / 5/8 po
Profondeur de coupe à 90°	57 mm / 2-1/4 po
Profondeur de coupe à 45°	41 mm / 1-5/8 po
Plage de biseaux	0° - 45°
Température de fonctionnement recommandée	-10 – 40° C / 14 – 104° F
Température de stockage recommandée	0 – 40° C / 32 – 104° F

ASSEMBLAGE

Pour attacher/détacher le bloc-piles (Fig. 2)

Pour attacher le bloc-piles :

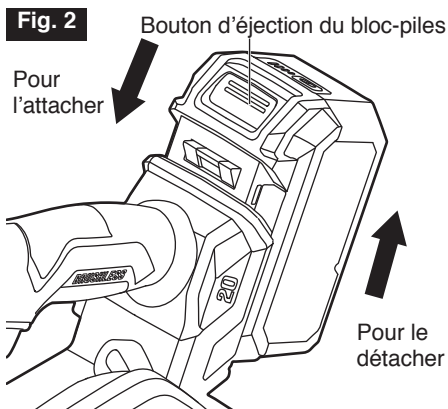
⚠ AVERTISSEMENT Les outils alimentés par des piles sont toujours prêts à fonctionner. Par conséquent, retirez la pile lorsque l'outil n'est pas utilisé ou lorsque vous le transportez à vos côtés.

Alignez la nervure surélevée du bloc-piles sur les rainures de l'outil, puis faites glisser le bloc-piles sur l'outil. Assurez-vous que le loquet de verrouillage du bloc-piles se met bien en place et que le bloc-piles est bien assujéti à l'outil avant de commencer à l'utiliser.

AVIS Lorsque vous placez le bloc-piles sur l'outil, assurez-vous que les nervures surélevées sur le bloc-piles s'alignent sur les rainures à l'intérieur de l'outil et que le loquet de verrouillage se ferme correctement. Une fixation incorrecte du bloc-piles peut endommager des composants internes.

Pour détacher le bloc-piles :

Appuyez sur le bouton d'éjection du bloc-piles, qui est situé à l'avant du bloc-piles, pour éjecter le bloc-piles. Tirez sur le bloc-piles pour le faire sortir et retirez-le de l'outil.



Attachement de la lame (Fig. 3)

⚠ AVERTISSEMENT Détachez le bloc-piles de l'outil avant de procéder à son assemblage, à des réglages ou à des changements d'accessoires. De telles mesures de sécurité préventives réduisent le risque de démarrage accidentel de l'outil.

⚠ AVERTISSEMENT Cet outil n'est utilisé que pour couper du bois. N'utilisez que les lames de scie indiquées pour les opérations de coupe de bois. N'utilisez pas de meules abrasives.

⚠ AVERTISSEMENT Utilisez seulement une lame de scie de 6-1/2 po conçue pour tourner à une vitesse de 5 500 tr/min ou plus. N'utilisez JAMAIS une lame tellement épaisse qu'elle empêche la rondelle extérieure de la lame de s'engager avec le côté plat de la broche. L'utilisation d'une lame qui n'est pas conçue pour cette scie pourrait causer des blessures graves et des dommages matériels.

⚠ AVERTISSEMENT Portez toujours des gants de protection lorsque vous manipulez une lame de scie. La lame peut blesser des mains non protégés.

- Détachez le bloc-piles de l'outil.
- Insérez la clé hexagonale incluse dans le boulon de la lame.
- Appuyez sur le bouton de verrouillage de la broche et tournez la clé hexagonale jusqu'à ce que le bouton de verrouillage s'enclenche. La broche de la scie est désormais verrouillée. Continuez à appuyer sur le bouton de verrouillage de la broche, tournez la clé hexagonale dans le sens des aiguilles d'une montre et retirez le boulon de fixation de la lame et la rondelle extérieure. Nettoyez toujours la broche ainsi que les dispositifs de protection du haut et du bas pour éliminer toutes les saletés et toute la sciure.

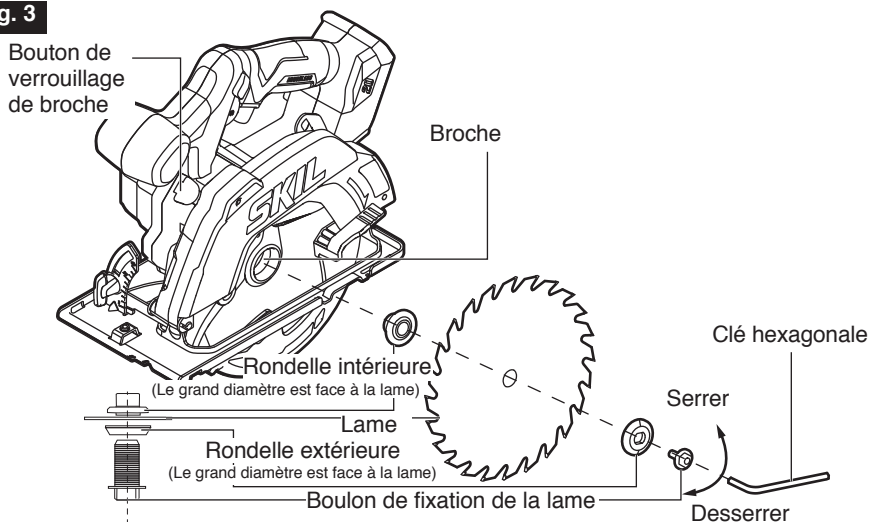
⚠ AVERTISSEMENT N'appuyez sur le bouton de verrouillage de la broche que lorsque l'outil est à l'arrêt.

- d. Assurez-vous que les dents de la scie et la flèche sur la pointe de la lame sont orientées dans la même direction que la flèche située sur le dispositif de protection inférieur.
- e. Rétractez le dispositif de protection inférieur en le poussant complètement vers le haut pour l'enfoncer dans le dispositif de protection supérieur. Tout en rétractant le dispositif de protection inférieur, vérifiez le fonctionnement et l'état du système de protection inférieur.
- f. Faites glisser la lame dans la fente du pied et montez-la contre la rondelle intérieure de la broche. Assurez-vous que les surfaces de fixation des rondelles intérieure et extérieure sont bien au ras de la lame.

⚠ AVERTISSEMENT Assurez-vous que les surfaces de fixation des rondelles intérieure et extérieure sont parfaitement propres et font face à la lame.

- g. Réinstallez la rondelle extérieure. Serrez d'abord le boulon de fixation de la lame à la main, puis serrez le boulon de 1/8 de tour (45°) avec la clé hexagonale (ceci assure le glissement de la lame de la scie lorsqu'elle rencontre une résistance excessive, réduisant ainsi la surcharge du moteur et l'effet de rebond de la scie).
- h. Insérez la clé hexagonale dans sa zone de rangement sur la scie circulaire.

Fig. 3



INSTRUCTIONS POUR L'UTILISATION

⚠ AVERTISSEMENT Pour réduire les risques d'incendie, de blessures et de dommages au produit dus à un court-circuit, ne plongez jamais votre outil, le bloc-piles ou le chargeur dans un liquide ou ne laissez pas de liquide s'écouler à l'intérieur de ceux-ci. Des liquides corrosifs ou conducteurs tels que l'eau de mer, certains produits chimiques industriels, l'eau de Javel ou des produits contenant de l'eau de Javel, etc. peuvent causer un court-circuit.

⚠ AVERTISSEMENT Si certaines pièces sont endommagées ou manquantes, n'utilisez pas ce produit avant que ces pièces aient été remplacées. L'utilisation de ce produit avec des pièces endommagées ou manquantes pourrait causer des blessures graves.

⚠ AVERTISSEMENT Ne tentez pas de modifier cet outil ou de créer des accessoires qu'il n'est pas recommandé d'utiliser avec cet outil. Une telle altération ou modification constituerait une utilisation abusive et pourrait créer une situation dangereuse avec risque de blessures graves.

⚠ AVERTISSEMENT Ne forcez pas l'outil (appliquez une pression légère et continue afin d'éviter la surchauffe des pointes de la lame).

⚠ AVERTISSEMENT Pour empêcher tout démarrage accidentel qui pourrait causer une blessure grave, retirez toujours le bloc-piles de l'outil lorsque vous effectuez le montage de pièces.

Cette scie circulaire sans fil ne doit être utilisée qu'avec les blocs-piles et les chargeurs indiqués ci-dessous :

Bloc-piles				Chargeur
2Ah	2.5Ah	4Ah	5Ah	
SKIL BY5100B-00 SKIL BY519701 SKIL BY519702	SKIL BY519703	SKIL BY519601 SKIL BY5140B-00	SKIL BY519603	SKIL SC535801 SKIL QC536001 SKIL QC5359B-02 SKIL SC0030B-00 SKIL SC5358B-02

AVIS Veuillez vous référer aux modes d'emploi du bloc-piles et du chargeur pour plus d'informations sur le fonctionnement.

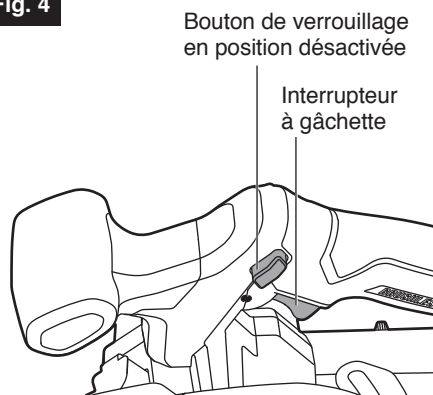
Interrupteur à gâchette et bouton de verrouillage en position désactivée (Fig. 4)

Fig. 4

Appuyez sur le bouton de verrouillage en position désactivée avec votre pouce et maintenez-le enfoncé, puis comprimez l'interrupteur à gâchette avec votre doigt pour faire démarrer l'outil. Relâchez le bouton de verrouillage en position désactivée et continuez à comprimer la gâchette de l'interrupteur pour assurer un fonctionnement ininterrompu.

Pour arrêter l'outil, relâchez l'interrupteur à gâchette (qui est à ressort) et il retournera automatiquement dans la position d'arrêt.

Votre scie doit fonctionner à plein régime AVANT que vous ne commenciez à couper, et elle ne doit être mise hors tension qu'APRÈS avoir terminé la coupe. Pour prolonger la durée de vie de l'interrupteur, n'alternez pas entre l'activation et la désactivation de la scie au moyen de l'interrupteur pendant que vous êtes en train de faire une coupe.



Réglage de la profondeur (Fig. 5a)

Votre outil est équipé d'un écrou à oreilles pour le verrouillage de la profondeur, qui est situé à côté de la poignée principale. Pour changer la profondeur de coupe :

- Détachez le bloc-piles de l'outil.
- Desserrez l'écrou à oreilles pour le verrouillage de la profondeur en le tournant dans le sens contraire des aiguilles d'une montre.
- Tenez le pied de la scie à plat contre le bord de l'ouvrage, puis soulevez ou abaissez la scie jusqu'à ce que l'indicateur s'aligne sur le repère de profondeur souhaité sur l'échelle de profondeur de coupe.
- Serrez fermement l'écrou à oreilles pour le verrouillage de la profondeur de coupe à la profondeur souhaitée en le tournant dans le sens des aiguilles d'une montre.

AVIS Vérifiez le réglage de la profondeur de coupe. Il ne faut pas dépasser une longueur de dent de la lame en dessous du matériau à couper (Fig. 5b).

Fig. 5a

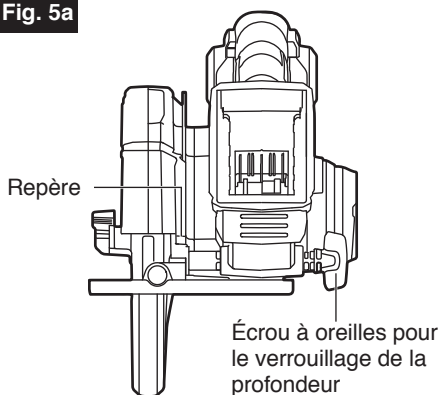
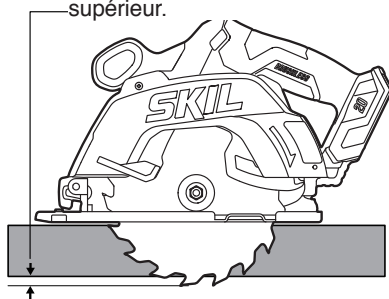


Fig. 5b

Seulement la longueur d'une dent doit pénétrer dans le bois pour minimiser les éclats sur le côté supérieur.

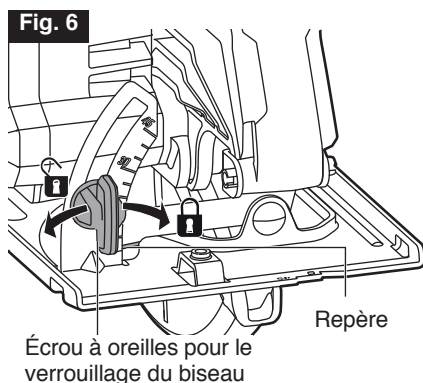


Réglage du biseau (Fig. 6)

Votre outil est équipé d'un écrou à oreilles pour le verrouillage du biseau permettant de changer l'angle de coupe. Pour modifier l'angle de coupe :

- Détachez le bloc-piles de l'outil.
- Desserrez l'écrou à oreilles pour le verrouillage du biseau en le tournant dans le sens contraire des aiguilles d'une montre.
- Inclinez le pied jusqu'à ce que l'indicateur de biseau atteigne le réglage souhaité sur l'échelle de biseau.
- Serrez fermement l'écrou à oreilles pour le verrouillage du biseau en le faisant tourner dans le sens des aiguilles d'une montre.

Fig. 6



⚠ AVERTISSEMENT Le fait de tenter de faire des coupes en biseau sans serrer fermement au préalable l'écrou à oreilles pour le verrouillage du biseau pourrait entraîner des blessures graves.

⚠ AVERTISSEMENT En raison de l'augmentation de l'engagement de la lame dans l'ouvrage et de la stabilité diminuée du pied, un blocage de la lame peut se produire pendant une coupe en biseau. Maintenez la scie stable et le pied fermement sur l'ouvrage.

REMARQUE : Lors d'une coupe en biseau, la profondeur de coupe ne correspond pas à la valeur indiquée sur l'échelle de profondeur de coupe.

REMARQUE : Étant donné que les épaisseurs des lames varient et que des angles différents requièrent des réglages différents, effectuez toujours une coupe d'essai dans des matériaux de rebut le long d'une ligne directrice pour déterminer combien vous devez décaler la ligne directrice sur l'ouvrage à couper.

Guide de trait de coupe (Fig. 7)

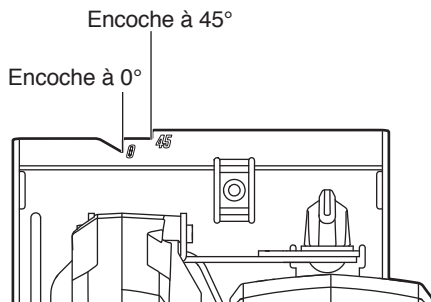
Il y a deux encoches de guidage de la coupe sur le pied. L'encoche du guide de coupe indiquera un trait de coupe approximatif.

Utilisez l'encoche de 0° sur la droite comme guide visuel pour une coupe droite à 90°. Pour une coupe en biseau à 45°, utilisez l'encoche de 45° sur la gauche (Fig. 7).

Faites des coupes d'essai dans des rebuts de bois de sciage afin de vérifier le trait de coupe réel. Cela sera utile car les types et les épaisseurs de lames varient.

Pour réduire au minimum les éclats du bon côté du matériau à couper, orientez le bon côté vers le bas.

Fig. 7



Lampe à DEL (Fig. 8a)

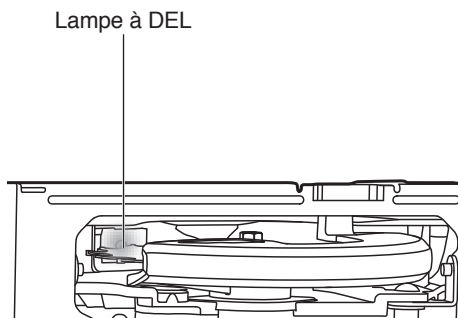
Votre outil est pourvu d'une lampe à DEL, qui est située sous le dispositif de protection supérieur. Cette lampe fournit une illumination supplémentaire sur la lame de scie et la surface de la pièce à usiner.

La lampe à DEL s'allume automatiquement lorsque son utilisateur appuie légèrement sur l'interrupteur à gâchette. Elle s'éteindra environ 10 secondes après le relâchement de l'interrupteur à gâchette.

REMARQUE :

- Si l'outil et/ou le bloc-piles sont surchargés ou trop chauds, la lampe à DEL clignote alors rapidement et les capteurs internes éteignent l'outil. Reposez l'outil pendant un moment ou placez l'outil et le bloc-piles séparément sous un flux d'air pour les refroidir.
- La lampe à DEL clignotera plus lentement pour indiquer que le niveau de charge du bloc-piles est bas. Rechargez le bloc-piles.

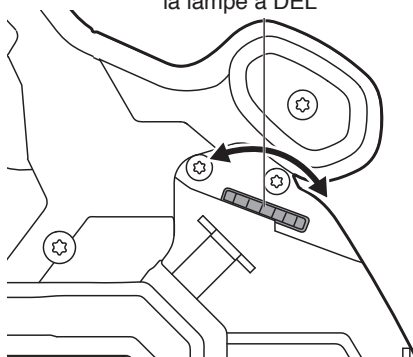
Fig. 8a



REMARQUE : La molette intégrée au dispositif de protection supérieur est conçue pour nettoyer la lampe à DEL. Lorsque la lumière de la lampe à DEL devient faible en raison de l'accumulation de sciure, tournez la molette dans n'importe quelle direction pour éliminer la sciure et rendre la lampe à DEL à nouveau brillante (Fig. 8b).

Fig. 8b

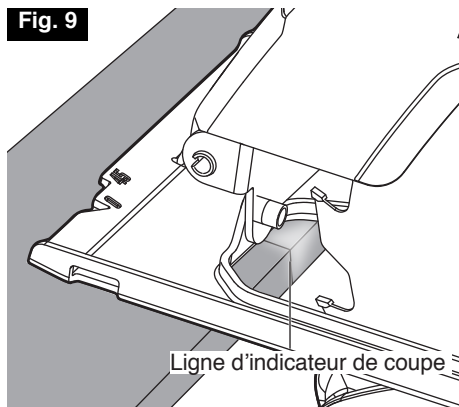
Molette de nettoyage de la lampe à DEL



Ligne d'indicateur de coupe (Fig. 9)

L'outil est équipé d'une fonction de ligne d'indicateur de coupe. La ligne devient visible automatiquement dès que la lampe à DEL est allumée. Suivez la ligne lors de la coupe.

Fig. 9

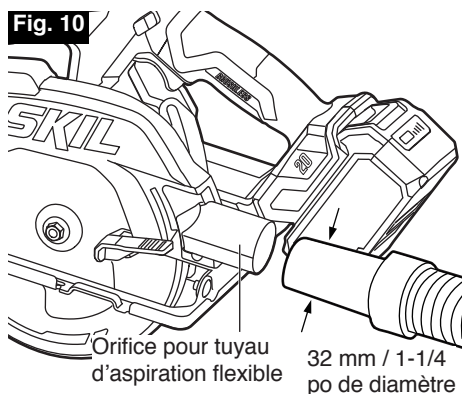


Orifice pour tuyau d'aspiration flexible (Fig. 10)

Votre scie est livrée avec un orifice pour tuyau d'aspiration flexible et une vis cruciforme ST4x16 pour attacher l'orifice pour tuyau d'aspiration flexible à la scie. L'orifice pour tuyau d'aspiration flexible est compatible avec les tuyaux d'aspirateurs/d'appareils de dépoussiérage de 32 mm / 1-1/4 po de diamètre.

- Retirez le bloc-piles.
- Attachez l'orifice pour tuyau d'aspiration flexible à la scie à l'aide de la vis à tête cruciforme ST4X16 fournie.
- Choisissez un tuyau flexible d'aspirateur/d'appareil de dépoussiérage approprié, ou utilisez un adaptateur si nécessaire.
- Débranchez le tuyau d'aspiration flexible une fois la coupe terminée.

Fig. 10



⚠ AVERTISSEMENT

Ne laissez jamais un tuyau flexible d'aspirateur/d'appareil de dépoussiérage interférer avec le dispositif de protection inférieur ou avec l'opération de coupe.

Utilisation prévue

Cet outil est conçu pour toutes les applications de coupe du bois : coupes générales, coupes transversales, coupes longitudinales et coupes en plongée. N'utilisez l'outil que pour couper du bois ou des matériaux similaires au bois.

AVIS Cet outil n'est pas conçu pour couper du métal ou de la maçonnerie. La poussière et les copeaux produits par de tels matériaux auront un impact sur le fonctionnement du dispositif de protection inférieur.

AVERTISSEMENT N'utilisez pas de meules abrasives avec des scies circulaires. La poussière abrasive peut empêcher le dispositif de protection inférieur de fonctionner correctement.

Coupes générales

AVERTISSEMENT Assurez-vous toujours qu'aucune de vos mains n'interfère avec le mouvement libre du dispositif de protection inférieur.

AVERTISSEMENT Après avoir fini une coupe et relâché la gâchette de l'interrupteur, tenez compte du temps nécessaire pour que la lame s'arrête complètement après que vous aurez relâché la gâchette. Ne laissez pas la scie frôler votre jambe ou votre côté ; comme le dispositif de protection inférieur est rétractable, elle pourrait s'accrocher à vos vêtements et exposer la lame. Il faut être au courant des expositions nécessaires de la lame qui existent autour des dispositifs de protection supérieur et inférieur.

Tenez toujours la scie par la poignée principale d'une main et par la poignée auxiliaire de l'autre. Maintenez une prise ferme avec les deux mains sur la scie, et positionnez vos bras pour résister aux forces de l'effet de rebond. Placez votre corps de l'un quelconque des côtés de la lame, mais pas de manière qu'il soit aligné sur la trajectoire de la lame.

Pour reprendre la coupe après une interruption, appuyez sur le bouton de verrouillage en position désactivée, appuyez sur la gâchette et laissez la lame atteindre sa vitesse maximale, puis revenez lentement dans la coupe et reprenez la coupe.

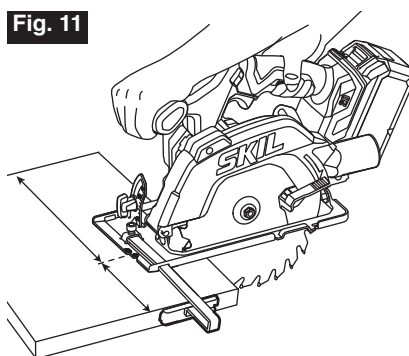
En cas de coupe contre le grain, les fibres du bois ont tendance à se déchirer et à se soulever. Si vous faites avancer la scie lentement, vous minimiserez cet effet. Pour une coupe de finition, une lame de coupe transversale ou une lame à onglet est recommandée.

Coupes transversales / coupes de refente

La lame polyvalente fournie avec votre scie peut être utilisée à la fois pour les coupes transversales et pour les coupes en long. Les coupes en long se font dans le sens du grain du bois.

Étant donné que les épaisseurs des lames varient, vous devez toujours effectuer une coupe d'essai dans des matériaux de rebut le long d'une ligne directrice afin de déterminer de combien la ligne directrice doit être décalée par rapport au guide pour produire une coupe précise.

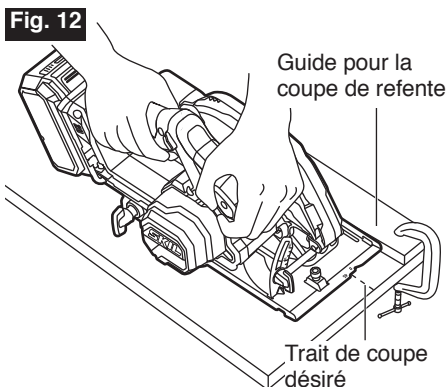
Fig. 11



Guide pour la coupe de refente (Fig. 12)

Lors de la coupe de refente de grandes feuilles, attachez ou clouez un morceau de bois droit de 25 mm / 1 po sur la feuille pour servir de guide. Utilisez le côté gauche du pied contre le guide de la planche.

⚠ AVERTISSEMENT Veillez à ce que les brides de fixation n'affectent pas le libre mouvement de la lame de la scie.



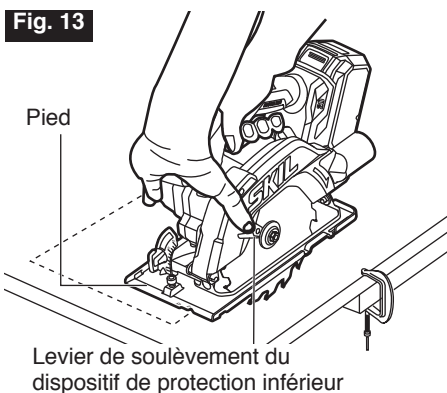
Coupes en plongée (Fig. 13)

⚠ AVERTISSEMENT Ajustez toujours le réglage du biseau sur zéro avant d'effectuer une coupe en plongée. Toute tentative de réalisation d'une coupe en plongée sur un autre réglage peut entraîner une perte de contrôle de la scie, ce qui peut entraîner des blessures graves.

- Détachez le bloc-piles de la scie circulaire.
- Réglez la profondeur de coupe en fonction de l'épaisseur du matériau à couper.
- Attachez le bloc-piles.
- Tenez la poignée principale de la scie d'une main, inclinez la scie vers l'avant et faites reposer la partie avant du pied sur le matériau à couper. Alignez l'encoche du guide de coupe sur la ligne que vous avez tracée.
- Utilisez le levier de levage du dispositif de protection inférieur pour élever le dispositif de protection inférieur jusqu'à ce que vous puissiez saisir et tenir la poignée auxiliaire avec l'autre main.
- Positionnez la scie de telle façon que la lame dépasse tout juste de la surface du matériau à couper. Mettez le moteur en marche ; une fois qu'il aura atteint son plein régime, abaissez progressivement l'extrémité arrière de la scie en utilisant l'extrémité avant du pied comme axe de pivotement.
- Relâchez le levier de levage du dispositif de protection inférieur dès que la lame s'engage dans la pièce à usiner.
- Une fois que le pied de la scie repose à plat sur la surface à couper, poursuivez la coupe vers l'avant jusqu'à la fin de la coupe.

⚠ AVERTISSEMENT Laissez la lame s'arrêter complètement avant de soulever la scie du lieu de la coupe. Par ailleurs, ne tirez jamais la scie vers l'arrière car la lame sortira du matériau et un CHOC EN RETOUR se produira.

- Retournez scie et terminez la coupe de la manière habituelle, en sciant vers l'avant. Si les coins de votre coupe en plongée ne sont pas complètement coupés, utilisez une scie sauteuse ou une scie à main pour finir les coins.



Découpe de grandes feuilles

Les grandes feuilles et les longues planches risquent de s'affaisser ou de se plier, en fonction du support. Si vous essayez de couper sans mettre la pièce à niveau et sans la soutenir correctement, la lame aura tendance à se coincer, ce qui provoquera un CHOC EN RETOUR et une charge supplémentaire sur le moteur comme illustré à la Fig. 14a.

Soutenez le panneau ou la planche près du trait de coupe, comme indiqué à la Fig. 14b. Veillez à régler la profondeur de coupe de manière à ne couper que la feuille ou le panneau, et non la table ou l'établi qui le supporte. Les supports 2x4 utilisés pour soulever et soutenir la pièce à usiner doivent être positionnés de manière à ce que les côtés larges soutiennent cette pièce et reposent sur la table ou sur l'établi. Ne soutenez pas la pièce à usiner en utilisant ses côtés étroits, car il s'agit d'un arrangement instable. Si la feuille ou la planche à découper est trop grande pour une table ou un établi, utilisez les supports de soutien 2x4 sur le sol et fixez-les en place.

Fig. 14a

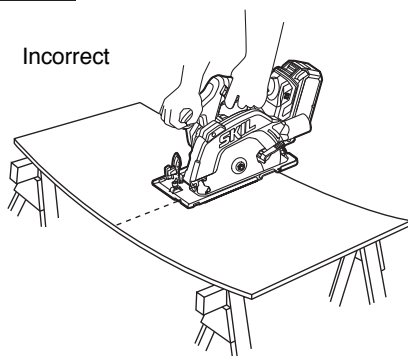
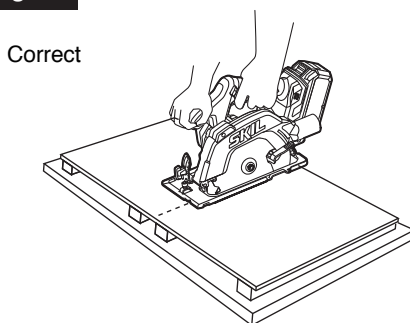


Fig. 14b



MAINTENANCE

⚠ AVERTISSEMENT Pour éviter des blessures graves, retirez toujours le bloc-piles de l'outil lorsque vous le nettoyez ou quand vous effectuez des travaux de maintenance.

Service après-vente

⚠ AVERTISSEMENT Une maintenance préventive effectuée par une personne non autorisée pourrait entraîner un placement incorrect de fils et de composants internes, ce qui pourrait être très dangereux. Nous recommandons que toutes les opérations de maintenance de cet outil soient effectuées par un centre de service après-vente usine SKIL ou par un poste de service agréé par SKIL.

Maintenance générale

⚠ AVERTISSEMENT Lors de toute réparation, n'utilisez que des pièces de rechange identiques. L'utilisation de toutes autres pièces de rechange pourrait créer un danger ou endommager le produit.

Inspectez périodiquement l'intégralité du produit pour vous assurer qu'il n'y a pas de pièces endommagées, manquantes ou desserrées comme des vis, des écrous, des boulons, des capuchons, etc. Serrez à fond tous les dispositifs de fixation et capuchons, et ne vous servez pas de ce produit avant que toutes les pièces manquantes ou endommagées aient été remplacées. Veuillez contacter le service à la clientèle ou un centre de service après-vente agréé pour obtenir de l'assistance.

Nettoyage

La façon la plus efficace de nettoyer l'outil est en utilisant un jet d'air comprimé sec.

⚠ AVERTISSEMENT Portez toujours des lunettes de sécurité lorsque vous nettoyez des outils avec de l'air comprimé. Les ouvertures de ventilation et les leviers de l'interrupteur doivent être gardés propres et ne doivent être obstrués par aucun corps étranger. Ne tentez pas de les nettoyer en insérant des objets pointus à travers les ouvertures.

Rangement

Rangez l'outil à l'intérieur, à un endroit qui est hors de portée des enfants. Conservez-le à distance des agents corrosifs.

Entretien des lames

Les lames s'émousent au bout d'un certain temps, même en conséquence de la coupe de bois ordinaire. Si vous constatez que vous devez forcer la scie vers l'avant pour couper au lieu d'avoir simplement à la guider pendant la coupe, cela signifie probablement que la lame est émoussée ou enduite de poix végétale.

Lorsque vous voulez nettoyer la lame pour en retirer la gomme et la poix végétale, détachez d'abord le bloc-piles et retirez la lame.

Rappelez-vous que les lames sont conçues pour couper ; manipulez-les donc avec précaution. Portez des gants et essuyez la lame avec du kérosène ou un solvant similaire pour en détacher la gomme et la poix végétale.

Sauf si vous avez de l'expérience dans l'affûtage des lames, nous vous recommandons de ne pas essayer.

RECHERCHE DE LA CAUSE DES PROBLÈMES

Problème	Cause	Remède
L'outil ne démarre pas.	1. Le bloc-pile est complètement déchargé.	1. Chargez le bloc-piles.
	2. Le bloc-piles n'a pas été installé correctement.	2. Confirmez que la pile est verrouillée et qu'elle est bien fixée sur l'outil.
	3. L'interrupteur est grillé.	3. Faites remplacer l'interrupteur par un Centre de service après-vente ou de réparation agréé de SKIL.
La lame ne tourne pas à la vitesse normale.	1. Piles presque déchargées.	1. Rechargez le bloc-piles ou utilisez un bloc-piles complètement chargé.
Vibrations excessives.	1. La lame est déséquilibrée.	1. Jetez la lame et utilisez une autre lame.
	2. L'ouvrage n'est pas sécurisé ou n'est pas suffisamment soutenu.	2. Serrez ou soutenez correctement la pièce à usiner.
La lame ne suit pas une ligne droite.	1. Les dents de la lame sont émoussées.	1. Remplacez la lame par une nouvelle.
	2. Le pied n'est pas aligné ou est tordu.	2. Faites réparer l'outil par un centre de service client ou de service après-vente SKIL agréé.
	3. La lame est tordue.	3. Remplacez la lame par une nouvelle.
La scie se coince ou surchauffe en coupant, et le moteur cale lors de coupes en long.	1. Lame émoussée ou lame avec des dents incorrectes.	1. Jetez la lame et utilisez une autre lame.
	2. La lame se coince.	2. Remontez la lame et serrez le boulon de fixation de la lame comme indiqué au chapitre « Attachement de la lame ».
	3. Soutien inapproprié de l'ouvrage.	3. Serrez ou soutenez correctement la pièce à usiner.
Le moteur est en marche, mais la scie ne coupe pas l'ouvrage.	1. La lame dérape.	1. Remontez la lame et serrez le boulon de fixation de la lame comme indiqué au chapitre « Pour attacher la lame ».

GARANTIE LIMITÉE POUR LES OUTILS GRAND PUBLIC SKIL

GARANTIE LIMITÉE DE 5 ANS

Chervon North America, Inc. (« Vendeur ») garantit à l'acheteur original uniquement que tous les OUTILS grand public SKIL seront exempts de tout défaut de matériau ou de fabrication pendant une période de cinq ans à compter de la date d'achat, si l'acheteur original a enregistré le produit dans les 30 jours à compter de l'achat. LES PILES ET LES CHARGEURS sont garantis pendant deux ans. L'enregistrement des produits peut être effectué en ligne à l'adresse www.Registermyskil.com. L'acheteur original doit également conserver son reçu comme preuve d'achat. LA PÉRIODE DE CINQ ANS DE GARANTIE DES OUTILS EST CONDITIONNÉE À L'ENREGISTREMENT DU PRODUIT DANS LES 30 JOURS SUIVANT LA DATE DE L'ACHAT. Si les acheteurs d'origine n'enregistrent pas leur produit dans les délais impartis, la garantie limitée ci-dessus s'appliquera pendant une durée de trois ans pour les outils. Toutes les piles et tous les chargeurs resteront couverts par la garantie limitée de deux ans.

Nonobstant ce qui précède, si un outil grand public SKIL est utilisé à des fins industrielles, professionnelles ou commerciales, la garantie précédente s'appliquera seulement pendant une durée de quatre-vingt-dix jours, indépendamment de l'enregistrement.

LA SEULE OBLIGATION DU VENDEUR ET VOTRE SEUL REMÈDE en vertu de cette Garantie limitée et, dans la mesure où la loi le permet, de toute autre garantie ou condition légalement implicite, sera la réparation ou le remplacement à titre gratuit des pièces qui seront jugées défectueuses pour cause de vice de matériau ou de fabrication et qui n'auront pas été utilisées de façon abusive, manipulées sans précautions ou réparées incorrectement par des personnes autres que le Vendeur ou un Centre de service après-vente agréé. Pour vous prévaloir de la présente Garantie limitée, vous devez retourner le produit complet, en port payé, à un centre de service usine SKIL ou à un centre de service après-vente agréé. Pour trouver les centres de service après-vente agréés de SKIL pour des outils électriques, veuillez vous rendre sur le site www.Registermyskil.com ou téléphoner au 1-877-SKIL-999 (1-877-754-5999).

CETTE GARANTIE LIMITÉE NE S'APPLIQUE PAS AUX ARTICLES ACCESSOIRES TELS QUE DES LAMES DE SCIE CIRCULAIRES, DES FORETS, DES FERS DE TOUPIE, DES LAMES DE SCIES SAUTEUSES, DES COURROIES DE PONÇAGE, DES MEULES ABRASIVES ET D'AUTRES ARTICLES CONNEXES.

LA DURÉE DE TOUTE GARANTIE IMPLICITE APPLICABLE À UN PRODUIT SERA LIMITÉE À LA DURÉE DES GARANTIES EXPRESSES APPLICABLES À CE PRODUIT, COMME INDIQUÉ AU PREMIER PARAGRAPHE CI-DESSUS. COMME CERTAINS ÉTATS AUX ÉTATS-UNIS ET CERTAINES PROVINCES AU CANADA NE PERMETTENT PAS DE LIMITATIONS DE LA DURÉE D'UNE GARANTIE IMPLICITE, LA LIMITATION CI-DESSUS NE S'APPLIQUE PEUT-ÊTRE PAS À VOUS.

LE VENDEUR NE SERA EN AUCUN CAS RESPONSABLE POUR TOUS DOMMAGES INDIRECTS OU SECONDAIRES (Y COMPRIS, MAIS SANS LIMITATION, LA RESPONSABILITÉ AU TITRE DE LA PERTE DE BÉNÉFICES) RÉSULTANT DE LA VENTE OU DE L'EMPLOI DE CE PRODUIT. COMME CERTAINS ÉTATS AUX ÉTATS-UNIS ET CERTAINES PROVINCES AU CANADA NE PERMETTENT PAS L'EXCLUSION OU LA LIMITATION DE LA RESPONSABILITÉ POUR DOMMAGES INDIRECTS OU SECONDAIRES, LA LIMITATION CI-DESSUS NE S'APPLIQUE PEUT-ÊTRE PAS À VOUS.

CETTE GARANTIE LIMITÉE VOUS CONFÈRE DES GARANTIES JURIDIQUES PARTICULIÈRES, ET VOUS POUVEZ AUSSI AVOIR D'AUTRES DROITS, QUI VARIENT D'UN ÉTAT À L'AUTRE AUX ÉTATS-UNIS, D'UNE PROVINCE À L'AUTRE AU CANADA OU D'UN PAYS À L'AUTRE.

CETTE GARANTIE LIMITÉE NE S'APPLIQUE QU'AUX PRODUITS VENDUS AUX ÉTATS-UNIS

D'AMÉRIQUE, AU CANADA ET À PORTO RICO. CONTACTEZ VOTRE DISTRIBUTEUR OU IMPORTATEUR LOCAL SKIL POUR OBTENIR DES INFORMATIONS SUR LA COUVERTURE DE LA GARANTIE DANS LES AUTRES PAYS.

© Chervon North America, 1203 E. Warrenville Rd, Naperville, IL 60563 (É.-U.).

ÍNDICE

ADVERTENCIAS GENERALES DE SEGURIDAD PARA HERRAMIENTAS ELÉCTRICAS	51-53
INSTRUCCIONES DE SEGURIDAD PARA TODAS LAS SIERRAS.	53-55
SÍMBOLOS	56-59
FAMILIARÍCESE CON SU SIERRA CIRCULAR	60
ESPECIFICACIONES.....	61
ENSAMBLAJE	62-63
INSTRUCCIONES DE UTILIZACIÓN.....	63-70
MANTENIMIENTO	71
RESOLUCIÓN DE PROBLEMAS.....	72
GARANTÍA LIMITADA DE HERRAMIENTAS DE CONSUMO SKIL.....	73-74

⚠ ADVERTENCIA El taladrado, el aserrado, el lijado o el maquinado de productos de madera puede exponerlo a usted a polvo de madera, una sustancia que el Estado de California sabe que causa cáncer. Evite inhalar polvo de madera o utilice una máscara u otras salvaguardas de protección personal. Para obtener más información, visite www.P65Warnings.ca.gov/wood.

⚠ ADVERTENCIA Parte del polvo causado por el lijado eléctrico, el serruchado, la trituración, el taladro y otras actividades de construcción contiene sustancias químicas que, según el estado de California, causan cáncer, defectos congénitos u otros daños reproductivos. Algunos ejemplos de estos productos químicos son:

- Plomo de pinturas a base de plomo.
- Sílice cristalina de ladrillos, cemento y otros productos de mampostería.
- Arsénico y cromo de madera tratada con químicos.

El riesgo que corre debido a la exposición a estos químicos varía según la frecuencia con que realiza este tipo de trabajo. Para reducir la exposición a estas sustancias químicas:

- Trabaje en un área bien ventilada.
- Trabaje con equipo de seguridad aprobado, como las mascarillas antipolvo especialmente diseñadas para filtrar partículas microscópicas.
- Evite estar en contacto prolongado con el polvo provocado por el lijado, el aserrado, la trituración y el taladrado, y otras actividades de construcción. Use ropa protectora y lave todas las áreas expuestas del cuerpo con agua y jabón. Si permite que el polvo llegue a su boca o a sus ojos, o que caiga sobre la piel, podría fomentar la absorción de productos químicos dañinos.

ADVERTENCIAS DE SEGURIDAD GENERAL EN EL MANEJO DE HERRAMIENTAS ELÉCTRICAS

⚠️ ADVERTENCIA Lea todas las advertencias de seguridad, las instrucciones, las ilustraciones y las especificaciones que se incluyen esta herramienta eléctrica. No seguir todas las instrucciones que se detallan a continuación podría provocar descargas eléctricas, incendios o lesiones graves.

GUARDE TODAS LAS ADVERTENCIAS E INSTRUCCIONES PARA REFERENCIA FUTURA.

El término “herramienta eléctrica” que aparece en las advertencias se refiere a la herramienta eléctrica que se conecta a la línea principal (con cable) o a la herramienta eléctrica que funciona con batería (inalámbrica).

Seguridad en el área de trabajo

Mantenga el área de trabajo limpia y bien iluminada. Las áreas desordenadas u oscuras aumentan las posibilidades de accidentes.

No utilice herramientas eléctricas en atmósferas en las que exista riesgo de explosión, como por ejemplo en presencia de líquidos inflamables, gases o polvo. Las herramientas eléctricas producen chispas que podrían encender el polvo o el humo.

Mantenga a los niños y transeúntes alejados mientras opera una herramienta eléctrica. Las distracciones pueden hacerle perder el control.

Seguridad eléctrica

Los enchufes de las herramientas eléctricas deben encajar en el tomacorriente. Nunca modifique el enchufe de ninguna manera. No utilice ningún enchufe adaptador con herramientas eléctricas con puesta a tierra. Los enchufes sin modificaciones y que encajan en los tomacorrientes reducen el riesgo de descarga eléctrica.

Evite el contacto del cuerpo con superficies con puesta a tierra, como tuberías, radiadores, estufas o refrigeradores. Existe un riesgo adicional de descarga eléctrica si su cuerpo tiene puesta a tierra.

No exponga las herramientas eléctricas a la lluvia o a condiciones de humedad. Si ingresa agua en una herramienta eléctrica, el riesgo de descarga eléctrica aumentará.

No maltrate el cable. Nunca use el cable para transportar, jalar ni desenchufar la herramienta eléctrica. Mantenga el cable alejado del calor, el aceite, los bordes filosos o las piezas en movimiento. Los cables dañados o enredados aumentan el riesgo de descarga eléctrica.

Cuando utilice una herramienta eléctrica en exteriores, use una extensión eléctrica adecuada para uso en exteriores. El uso de un cable apto para uso en exteriores reduce el riesgo de descarga eléctrica.

Si debe utilizar una herramienta eléctrica en un área húmeda, use un suministro protegido con un interruptor de circuito de falla de puesta a tierra (GFCI, por sus siglas en inglés). El uso de un interruptor GFCI disminuye el riesgo de descarga eléctrica.

Seguridad personal

Manténgase alerta, preste atención a lo que hace y utilice el sentido común cuando utilice una herramienta eléctrica. No utilice una herramienta eléctrica si está cansado o bajo los efectos de drogas, alcohol o medicamentos. Un momento de desatención mientras opera herramientas eléctricas puede provocar lesiones personales graves.

Use un equipo de protección personal. Use siempre lentes de protección. Los equipos de protección, como mascarillas antipolvo, zapatos de seguridad antideslizantes, cascos protectores o protección auditiva, utilizados para las condiciones adecuadas, disminuyen el riesgo de lesiones personales.

Evite un arranque accidental. Asegúrese de que el interruptor esté en la posición de apagado antes de conectar la herramienta a la fuente de alimentación o la batería, o antes de levantarla o transportarla. Transportar herramientas eléctricas con el dedo en el interruptor o enchufar herramientas eléctricas que tienen el interruptor encendido aumenta las posibilidades de sufrir accidentes.

Retire todas las llaves de ajuste o llaves inglesas antes de encender la herramienta eléctrica. Si se deja una llave inglesa o una llave conectada a una pieza giratoria de la herramienta eléctrica, se podrían producir lesiones personales.

No se extienda demasiado. Mantenga una postura y un equilibrio adecuados en todo momento. Esto permite un mejor control de la herramienta eléctrica en situaciones inesperadas.

Use ropa adecuada. No use ropa holgada ni joyas. Mantenga el cabello, la ropa y los guantes lejos de las piezas en movimiento. La ropa holgada, las joyas o el cabello largo pueden quedar atrapados en las piezas en movimiento.

Si se proporcionan dispositivos para la conexión de instalaciones de extracción y recolección de polvo, asegúrese de que se conecten y se usen debidamente. La recolección de polvo puede disminuir los peligros relacionados con el polvo.

No permita que la familiaridad del uso frecuente de las herramientas lo haga no tener en cuenta los principios de seguridad de las herramientas. Un descuido puede ocasionar una lesión grave en cuestión de segundos.

Uso y cuidado de las herramientas eléctricas

No fuerce la herramienta eléctrica. Utilice la herramienta eléctrica adecuada para su tarea. La herramienta eléctrica adecuada realizará un trabajo más seguro y de mejor calidad al ritmo para el que se diseñó.

No utilice la herramienta eléctrica si el interruptor no la enciende o apaga. Cualquier herramienta eléctrica que no pueda controlarse con el interruptor es peligrosa y debe repararse.

Desconecte el enchufe de la fuente de alimentación o retire el paquete de baterías de la herramienta eléctrica (si es posible) antes de realizar cualquier ajuste, cambiar accesorios o almacenar herramientas eléctricas. Este tipo de medidas de seguridad preventivas reduce el riesgo de arranques accidentales de la herramienta eléctrica.

Almacene las herramientas eléctricas que no estén en uso fuera del alcance de los niños y no permita que personas no familiarizadas con la herramienta o estas instrucciones la operen. Las herramientas eléctricas son peligrosas en manos de usuarios sin capacitación.

Realice mantenimiento a las herramientas eléctricas y a los accesorios. Revise si hay piezas móviles desalineadas o torcidas, si hay piezas rotas y cualquier otra condición que pueda afectar el funcionamiento de la herramienta eléctrica. Si se daña la herramienta eléctrica, hágala reparar antes de usarla. Muchos accidentes son producto del mantenimiento incorrecto de las herramientas eléctricas.

Mantenga las herramientas de corte afiladas y limpias. Las herramientas de corte que se mantienen adecuadamente, con sus bordes de corte afilados, son menos propensas a trabarse y son más fáciles de controlar.

Use la herramienta eléctrica, los accesorios, las brocas, etc. de acuerdo con estas instrucciones, considerando las condiciones de trabajo y el trabajo que desea realizar. El uso de la herramienta eléctrica en operaciones distintas para las que fue diseñada podría crear una situación de peligro.

Mantenga las manijas y las superficies de agarre secas, limpias y sin aceite ni grasa.

Las manijas y superficies de agarre húmedas no permiten una manipulación segura ni controlar la herramienta en situaciones inesperadas.

Uso y cuidado de herramientas con batería

Recargue solo con el cargador especificado por el fabricante. Un cargador adecuado para un tipo de paquete de baterías puede crear un riesgo de incendio cuando se usa con otro paquete de baterías.

Use las herramientas eléctricas solo con los paquetes de baterías específicamente designados para ellas. El uso de cualquier otro paquete de baterías puede crear un riesgo de lesión e incendio.

Cuando el paquete de baterías no está en uso, aléjelo de objetos metálicos, como sujetapapeles, monedas, llaves, clavos, tornillos u otros objetos metálicos pequeños que pudieran crear una conexión entre los terminales. Es posible que conectar los terminales de la batería entre sí produzca quemaduras o un incendio.

En condiciones de maltrato, es posible que salga líquido de la batería. Evite el contacto. Si se produce un contacto accidental, enjuague con agua. Si el líquido entra en contacto con los ojos, solicite atención médica adicional. El líquido que sale de la batería puede provocar irritación o quemaduras.

No utilice un paquete de baterías ni una herramienta si están dañadas o modificadas. Las baterías dañadas o modificadas pueden mostrar una conducta impredecible que ocasione incendios, explosiones o riesgo de lesión.

No exponga el paquete de baterías ni la herramienta al fuego o a una temperatura excesiva. La exposición al fuego o a temperaturas por encima de los 265 °F podría causar una explosión.

Siga todas las instrucciones de carga y no cargue el paquete de baterías ni las herramientas fuera del rango de temperatura especificado en las instrucciones. La carga inadecuada o a temperaturas fuera del rango especificado podría dañar la batería y aumentar el riesgo de incendio.

Reparación

Permita que solo una persona capacitada repare la herramienta eléctrica, mediante el uso solo de piezas de repuesto idénticas. Esto mantendrá la seguridad de la herramienta eléctrica.

Nunca realice mantenimiento a los paquetes de batería. Solo el fabricante o proveedores de servicio autorizados pueden realizar el mantenimiento de los paquetes de baterías.

INSTRUCCIONES DE SEGURIDAD PARA TODAS LAS SIERRAS

Procedures de coupe

 PELIGRO Mantenga las manos alejadas del área de corte y de la hoja. Mantenga la segunda mano en la empuñadura auxiliar o en la carcasa del motor. Si ambas manos están agarrando la sierra, la hoja no puede cortarlas.

No ponga las manos debajo de la pieza de trabajo. El protector no puede protegerle de la hoja debajo de la pieza de trabajo.

Ajuste la profundidad de corte al grosor de la pieza de trabajo. Debería verse menos de un diente completo de los dientes de la hoja por debajo de la pieza de trabajo.

No sostenga nunca la pieza de trabajo en las manos ni sobre una pierna mientras esté cortando. Sujete firmemente la pieza de trabajo a una plataforma estable. Es importante soportar adecuadamente la pieza de trabajo para minimizar la exposición del cuerpo, el atornillamiento de la hoja o la pérdida de control.

Agarre la herramienta eléctrica por las superficies de agarre con aislamiento cuando realice una operación en la que es posible que la herramienta de corte entre en contacto con cables ocultos. El contacto con un cable con corriente hará que las partes metálicas de la herramienta eléctrica que estén al descubierto también lleven corriente, lo cual podría causar una descarga eléctrica al operador.

Cuando corte al hilo, utilice siempre un tope-guía para cortar al hilo o una guía de borde recto. Esto mejora la precisión del corte y reduce las probabilidades de que la hoja se atore.

Utilice siempre hojas sierra con el tamaño correcto y la forma correcta (adamentados frente a redondos) de los agujeros para el eje portaherramienta. Las hojas de sierra que no coincidan con los herrajes de montaje de la sierra girarán descentradas, con lo cual causarán pérdida de control.

No utilice nunca arandelas de hoja o un perno de la hoja que estén dañados o sean incorrectos. Las arandelas de hoja y el perno de la hoja se diseñaron especialmente para esta sierra con el fin de lograr un rendimiento óptimo y ofrecer la máxima seguridad de funcionamiento.

Causas del retroceso y advertencias relacionadas

El retroceso es una reacción repentina a una hoja de sierra pellizcada, atorada o desalineada que hace que una sierra descontrolada se levante y se salga de la pieza de trabajo hacia el operador.

Cuando la hoja se comprima o se atore fuertemente debido a que la entalladura se cierra, la hoja se detendrá y la reacción del motor impulsará rápidamente la unidad hacia atrás, hacia el operador.

Si la hoja se tuerce o se desalinea en el corte, los dientes ubicados en el borde trasero de la misma pueden penetrar en la superficie superior de la madera y hacer que la hoja trepe, se salga de la entalladura y salte hacia atrás, hacia el operador.

El retroceso es el resultado de un uso indebido de la sierra y/o procedimientos o situaciones de utilización incorrectos, y se puede evitar tomando las precauciones adecuadas, tal y como se indica a continuación.

Mantenga un agarre firme con las dos manos en la sierra y posicione los brazos de manera que puedan resistir las fuerzas de retroceso. Posicione el cuerpo en cualquiera de los dos lados de la hoja, pero no en línea con la misma. Un retroceso podría hacer que la sierra salte hacia atrás, pero las fuerzas de retroceso pueden ser controladas por el operador, si se toman las precauciones adecuadas.

Cuando la hoja se esté atorando o cuando usted interrumpa un corte por cualquier motivo, suelte el gatillo y sujete la sierra de manera que esté inmóvil en el material hasta que la hoja se detenga por completo. No intente nunca retirar la sierra de la pieza de trabajo ni jalar la sierra hacia atrás mientras la hoja esté en movimiento, o es posible que ocurra retroceso. Investigue y tome medidas correctivas para eliminar la causa de atoramiento de la hoja.

Cuando re arranque una sierra en la pieza de trabajo, centre la hoja de la sierra en la entalladura, de manera que los dientes de la sierra no estén acoplados en el material. Si una hoja de sierra se atora, es posible que trepe o experimente retroceso respecto a la pieza de trabajo al re arrancar la sierra.

Soporte los paneles grandes para minimizar el riesgo de que la hoja se comprima y se produzca retroceso. Los paneles grandes tienden a arquearse bajo su propio peso. Se deben colocar soportes debajo del panel a ambos lados, cerca de la línea de corte y cerca del borde del panel.

No utilice hojas desafiladas o dañadas. Las hojas desafiladas o con triscado incorrecto producen una entalladura estrecha, lo cual causa una fricción excesiva, atoramiento de la hoja y retroceso.

Las palancas de fijación del ajuste de profundidad y de bisel de la hoja deben estar apretadas y firmemente sujetas antes de realizar el corte. Si el ajuste de la hoja cambia mientras se está realizando el corte, es posible que cause atoramiento y retroceso.

Tenga precaución adicional cuando aserre en paredes existentes u otras áreas ciegas. Es posible que la hoja que sobresale corte objetos que pueden causar retroceso.

Función del protector inferior

Compruebe el protector inferior para verificar si se cierra correctamente antes de cada uso. No utilice la sierra si el protector inferior no se mueve libremente y no se cierra instantáneamente. No sujete con abrazaderas ni amarre nunca el protector inferior en la posición abierta. Si la sierra se cae accidentalmente, es posible que el protector inferior se doble. Suba el protector inferior con el mango retráctil y asegúrese de que se mueve libremente y no toca la hoja ni ninguna otra pieza, en todos los ángulos y profundidades de corte.

Compruebe el funcionamiento del resorte del protector inferior. Si el protector y el resorte no están funcionando correctamente, deben recibir servicio de ajuste y reparaciones antes de utilizar la sierra. Es posible que el protector inferior funcione con dificultad debido a que haya piezas dañadas, depósitos gomosos o una acumulación de residuos.

El protector inferior se puede retraer manualmente solo para realizar cortes especiales, tales como “cortes por inmersión” y “cortes compuestos”. Suba el protector inferior mediante el mango retráctil y, en cuanto la hoja penetre en el material, suelte el protector inferior. Para todas las demás operaciones de aserrado, el protector inferior debería funcionar automáticamente.





Asegúrese siempre de que el protector inferior esté cubriendo la hoja antes de dejar la sierra en un banco de trabajo o en el piso. Una hoja sin protección que esté girando por inercia hará que la sierra se desplace hacia atrás, cortando todo aquello que esté en su camino. Tenga en cuenta el tiempo que se requiere para que la hoja se detenga después de soltar el interruptor.

SÍMBOLOS

Símbolos de seguridad

El objetivo de los símbolos de seguridad es captar su atención ante posibles peligros. Los símbolos de seguridad y las explicaciones que se dan merecen su atención y comprensión cuidadosa. Las advertencias del símbolo no eliminan por sí mismas ningún peligro. Las instrucciones y las advertencias que se dan no son substitutos de las medidas adecuadas de prevención de accidentes.

⚠ ADVERTENCIA Asegúrese de leer y de comprender todas las instrucciones de seguridad en este manual del propietario, incluidos todos los símbolos de alerta de seguridad como **“PELIGRO”**, **“ADVERTENCIA”** y **“PRECAUCIÓN”** antes de usar esta herramienta. El incumplimiento de las siguientes instrucciones puede provocar descargas eléctricas, incendios y/o lesiones personales graves.

Las definiciones que se ofrecen a continuación describen el nivel de gravedad de cada símbolo. Lea el manual y preste atención a dichos símbolos.	
	Este es el símbolo de advertencia de seguridad. Se utiliza para advertirlo de los peligros de posibles lesiones personales. Cumpla con todos los mensajes de seguridad a continuación de este símbolo para evitar posibles lesiones o consecuencias fatales.
	PELIGRO indica una situación de peligro que, de no evitarse, ocasionará la muerte o lesiones graves.
	ADVERTENCIA indica una situación potencialmente peligrosa que, de no evitarse, puede ocasionar la muerte o lesiones graves.
	PRECAUCIÓN, se usa con el símbolo de advertencia de seguridad e indica una situación peligrosa que, de no evitarse, puede causar lesiones menores o moderadas.

Mensajes de prevención de daños e información

Estos mensajes informan al usuario sobre informaciones y/o instrucciones importantes que, de no seguirse, pueden causar daños al equipo o la propiedad. Antes de cada mensaje, aparece la palabra “AVISO”, como en el ejemplo a continuación:








AVISO Si no se siguen estas instrucciones se pueden producir daños al equipo o la propiedad.






⚠ ADVERTENCIA Durante el funcionamiento de cualquier herramienta eléctrica, pueden entrar objetos extraños a los ojos y causar graves daños oculares. Use siempre lentes o gafas de seguridad con protecciones laterales y, cuando sea necesario, un protector facial que cubra todo el rostro antes de comenzar a operar una herramienta eléctrica. Recomendamos usar una máscara de seguridad de visión amplia sobre los lentes o las gafas de seguridad estándar con protección lateral. Siempre use lentes de protección que cumplan con la norma ANSI Z87.1.

SÍMBOLOS (CONTINUACIÓN)






IMPORTANTE: Algunos de los siguientes símbolos pueden aparecer en sus herramientas. Obsérvelos y conozca su significado. La interpretación correcta de estos símbolos le permitirá utilizar la herramienta de manera eficaz y segura.

Símbolo	Nombre	Designación/Explicación
V	Voltios	Voltaje
A	Amperios	Corriente
Hz	Hertz	Frecuencia (ciclos por segundo)
W	Vatios	Alimentación
kg	Kilogramos	Peso
min	Minutos	Hora
s	Segundos	Hora
Wh	Vatio por horas	Capacidad de la batería
Ah	Amperios por hora	Capacidad de la batería
∅	Diámetro	Tamaño de las brocas para taladro, piedras de amolar, etc.
n_0	Velocidad sin carga	Velocidad de rotación sin carga
n	Rango de velocidad	Velocidad máxima alcanzable
.../min	Revoluciones o recíprocaciones por minuto (rpm)	Revoluciones, pasadas, velocidad de superficie, órbitas, etc. por minuto
O	Posición de apagado	Velocidad cero, torsión cero...
1,2,3,... I,II,III,	Ajustes del selector	Ajustes de velocidad, par o posición. Un número mayor significa mayor velocidad
	Selector de regulación continua con apagado	La velocidad aumenta desde el ajuste 0
	Flecha	Acción en la dirección de la flecha
	Corriente alterna (CA)	Tipo o característica de corriente
	Corriente continua (CC)	Tipo o característica de corriente
	Corriente alterna o continua (CA/CC)	Tipo o característica de corriente
	Herramienta de Clase II	Designa las herramientas de construcción con doble aislamiento
	Conexión a tierra de protección	Terminal de conexión a tierra

Símbolo	Nombre	Designación/Explicación
	<p>Sello de iones de litio de RBRC</p>	<p>Designa el programa de reciclaje de baterías de iones de litio</p>
	<p>Lea las instrucciones</p>	<p>Indica al usuario que lea el manual</p>
	<p>Símbolo de use de lentes de protección</p>	<p>Alerta al usuario para que use protección ocular</p>

SÍMBOLOS (INFORMACIÓN DE CERTIFICACIÓN)

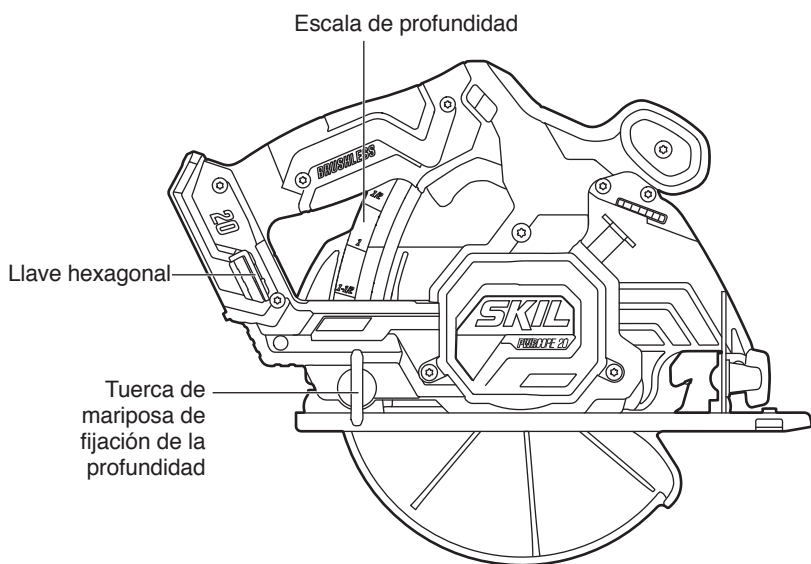
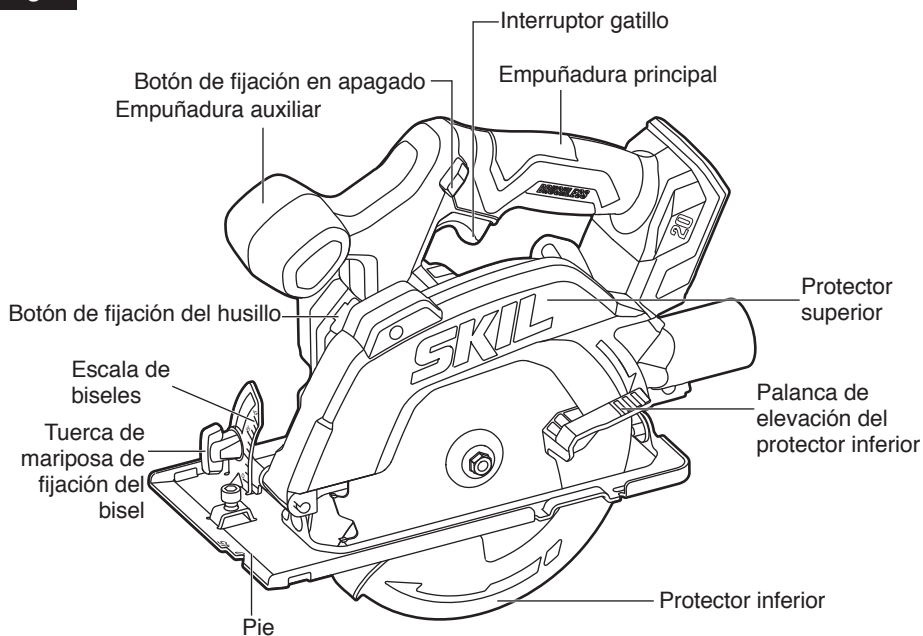
IMPORTANTE: Algunos de los siguientes símbolos de información de certificación pueden aparecer en sus herramientas. Obsérvelos y conozca su significado. La interpretación correcta de estos símbolos le permitirá utilizar la herramienta de manera eficaz y segura.

Símbolo	Designación/Explicación
	Este símbolo designa que esta herramienta está incluida en la lista de Underwriters Laboratories.
	Este símbolo designa que este componente está reconocida por Underwriters Laboratories.
	Este símbolo designa que esta herramienta está incluida en la lista de Underwriters Laboratories, conforme a las normas de Estados Unidos y Canadá.
	Este símbolo designa que esta herramienta está incluida en la lista de Canadian Standards Association.
	Este símbolo designa que esta herramienta está incluida en la lista de Canadian Standards Association, conforme a las normas de Estados Unidos y Canadá.
	Este símbolo designa que esta herramienta está incluida en la lista de Intertek Testing Services, conforme a las normas de Estados Unidos y Canadá.

FAMILIARÍCESE CON SU SIERRA CIRCULAR

Sierra circular de 6-1/2 pulgadas de 20 V sin escobillas PWRCORE 20™

Fig. 1



ESPECIFICACIONES

Tensión nominal	20 V c.c.
Velocidad sin carga	5500/min (RPM)
Diámetro de la hoja	6-1/2 pulgadas (165 mm)
Eje portaherramienta para la hoja	5/8 de pulgada (16 mm)
Profundidad de corte a 90°	2-1/4 pulgadas (57 mm)
Profundidad de corte a 45°	1-5/8 pulgadas (41 mm)
Intervalo de bisel	0° – 45°
Temperatura de funcionamiento recomendada	14 – 104 °F (-10 – 40 °C)
Temperatura de almacenamiento recomendada	32 – 104 °F (0 – 40 °C)

ENSAMBLAJE

Instalación/desinstalación del paquete de batería (Fig. 2)

Para instalar el paquete de batería:

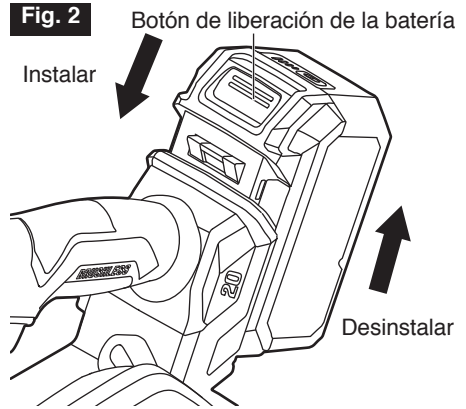
⚠ ADVERTENCIA Las herramientas a batería están siempre en condiciones de funcionamiento. Por lo tanto, retire la batería cuando la herramienta no se esté utilizando o cuando la transporte a su lado.

Alinee la costilla en relieve ubicada en el paquete de batería con los surcos ubicados en la herramienta y luego deslice el paquete de batería sobre la herramienta. Asegúrese de que el pestillo ubicado en el paquete de batería se acople a presión en la posición correcta y que el paquete de batería esté firmemente sujeto a la herramienta antes de comenzar a utilizarla.

AVISO Cuando coloque el paquete de batería en la herramienta, asegúrese de que la costilla en relieve ubicada en el paquete de batería se alinee con el surco ubicado dentro de la herramienta y que el pestillo se acople adecuadamente a presión en la posición correcta. Un ensamblaje incorrecto del paquete de batería puede causar daños a los componentes internos.

Para desinstalar el paquete de batería:

Presione el botón de liberación de la batería, ubicado en la parte delantera del paquete de batería, para liberar dicho paquete. Jale hacia fuera el paquete de batería y retírelo de la herramienta.



Instalación de la hoja (Fig. 3)

⚠ ADVERTENCIA Desinstale el paquete de batería de la herramienta antes de realizar cualquier ensamblaje o ajuste, o cambiar accesorios. Dichas medidas preventivas de seguridad reducen el riesgo de arrancar accidentalmente la herramienta.

⚠ ADVERTENCIA Esta herramienta es solo para cortar madera. Utilice solo las hojas de sierra correctas para las operaciones de corte de madera. No utilice discos abrasivos.

⚠ ADVERTENCIA Utilice solo hojas de sierra de 6-1/2 pulgadas con una capacidad nominal de 5500/min (RPM) o mayor. No utilice NUNCA una hoja que sea tan gruesa que impida que la arandela externa de la hoja se acople con el lado plano del husillo. Es posible que la utilización de una hoja que no esté diseñada para la sierra cause lesiones corporales graves y daños materiales.

⚠ ADVERTENCIA Asegúrese de tener puestos guantes de trabajo protectores mientras maneje una hoja de sierra. Los dientes afilados pueden lesionar las manos desprotegidas.

- Desinstale el paquete de batería de la herramienta.
- Inserte la llave hexagonal incluida en el perno de la hoja.
- Presione el botón de fijación del husillo y gire la llave hexagonal hasta que el botón de fijación se acople. Ahora, el eje de la sierra estará bloqueado. Siga presionando el botón de bloqueo del husillo, gire la llave hexagonal en el sentido de las agujas del reloj y retire el perno de la hoja y la arandela externa. Limpie siempre el husillo, el protector superior y el

protector inferior para eliminar la suciedad y el aserrín que se puedan haber acumulado.

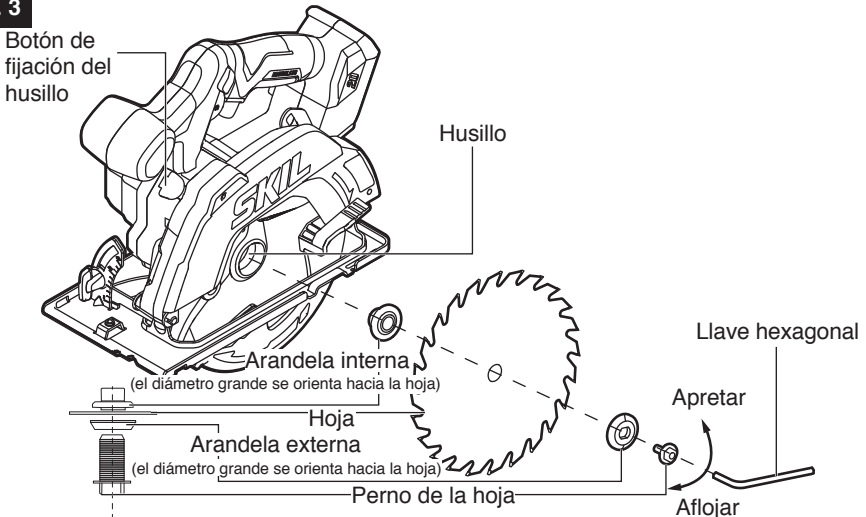
⚠ ADVERTENCIA Presione el botón de fijación del husillo solo cuando la herramienta esté inmóvil.

- d. Asegúrese de que los dientes de la sierra y la flecha ubicada en la hoja apunten en el mismo sentido que la flecha ubicada en el protector inferior.
- e. Retraiga el protector inferior completamente hacia arriba, hacia el interior del protector superior. Mientras retrae el protector inferior, compruebe el funcionamiento y el estado del sistema del protector inferior.
- f. Deslice la hoja a través de la ranura ubicada en el pie y móntela contra la arandela interna ubicada en el husillo. Asegúrese de que las superficies de fijación de las arandelas interna y externa estén al ras contra la hoja.

⚠ ADVERTENCIA Asegúrese de que las superficies de fijación de las arandelas interna y externa estén perfectamente limpias y orientadas hacia la hoja.

- g. Reinstale la arandela externa. Apriete primero el perno de la hoja con los dedos y luego apriete dicho perno 1/8 de vuelta (45°) con la llave hexagonal (esto garantiza el resbalamiento de la hoja cuando esta encuentre una resistencia excesiva, con lo cual se reduce la sobrecarga del motor y el retroceso de la sierra).
- h. Inserte la llave hexagonal de vuelta en su área de almacenamiento en la sierra circular.

Fig. 3



INSTRUCCIONES DE UTILIZACIÓN

⚠ ADVERTENCIA Para reducir el riesgo de incendio, lesiones corporales y daños al producto debido a un cortocircuito, no sumerja nunca su herramienta, el paquete de batería o el cargador en un líquido ni deje que un líquido fluya dentro de ellos. Los líquidos corrosivos o conductores, tales como agua de mar, ciertas sustancias químicas industriales y el blanqueador o los productos que contienen blanqueador, etc., pueden causar un cortocircuito.

⚠ ADVERTENCIA Si cualquiera de las piezas está dañada o falta, no utilice este producto hasta que las piezas hayan sido remplazadas. La utilización de este producto con piezas dañadas o si le faltan piezas podría causar lesiones corporales graves.

⚠ ADVERTENCIA No intente modificar esta herramienta ni crear accesorios no recomendados para utilizarse con esta herramienta. Cualquiera de dichas alteraciones o modificaciones constituye un uso incorrecto y podría provocar una situación peligrosa que cause posibles lesiones graves.

⚠ ADVERTENCIA No fuerce la herramienta (aplique una presión ligera y continua para evitar sobrecalentar las puntas de la hoja).

⚠ ADVERTENCIA Para prevenir arranques accidentales que podrían causar lesiones corporales graves, retire siempre el paquete de batería de la herramienta cuando ensamble piezas.

Esta sierra circular inalámbrica se debe utilizar solo con los paquetes de batería y los cargadores que se indican a continuación:

Paquete de batería				Cargador
2Ah	2.5Ah	4Ah	5Ah	
SKIL BY5100B-00 SKIL BY519701 SKIL BY519702	SKIL BY519703	SKIL BY519601 SKIL BY5140B-00	SKIL BY519603	SKIL SC535801 SKIL QC536001 SKIL QC5359B-02 SKIL SC0030B-00 SKIL SC5358B-02

AVISO Sírvase consultar los manuales de los paquetes de batería y del cargador para obtener información detallada de utilización.

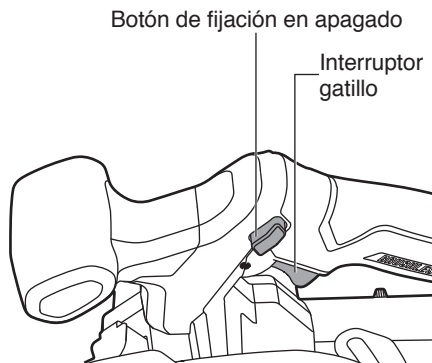
Interruptor gatillo y botón de fijación en apagado (Fig. 4)

Para “ENCENDER” la herramienta, presione y mantenga presionado el botón de fijación en apagado con el dedo pulgar y luego comprima el interruptor gatillo con un dedo. Suelte el botón de fijación en apagado y continúe comprimiendo el gatillo para obtener un funcionamiento continuo.

Para “APAGAR” la herramienta, suelte el interruptor gatillo, que está accionado por resorte, y este regresará automáticamente a la posición de apagado.

Su sierra deberá estar funcionando a su velocidad máxima ANTES de comenzar el corte y deberá apagarse solo DESPUÉS de completar el corte. Para aumentar la vida útil del interruptor, no encienda y apague la sierra mientras esté cortando.

Fig. 4



Ajuste de profundidad (Fig. 5a)

Esta herramienta está equipada con una tuerca de mariposa de fijación de la profundidad, ubicada junto a la empuñadura principal. Para cambiar la profundidad de corte:

- Desinstale el paquete de batería de la herramienta.
- Afloje la tuerca de mariposa de fijación de la profundidad girándola en sentido contrario al de las agujas del reloj.
- Sujete el pie de la sierra en posición plana contra el borde de la pieza de trabajo y luego suba o baje la sierra hasta que el indicador se alinee con la marca de profundidad deseada en la escala de profundidad.

- d. Apriete firmemente tuerca de mariposa de fijación de la profundidad a la profundidad deseada girándola en el sentido de las agujas del reloj.

AVISO Compruebe el ajuste de profundidad. No más de una longitud de diente de la hoja debería sobresalir por debajo del material que se vaya a cortar (Fig. 5b).

Fig. 5a

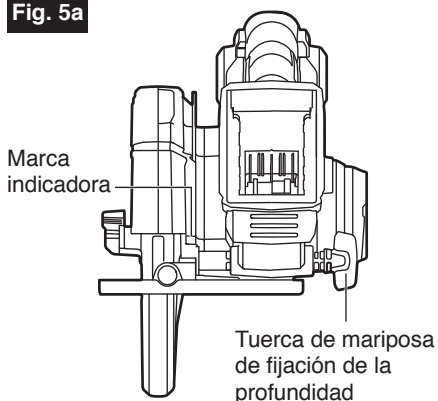
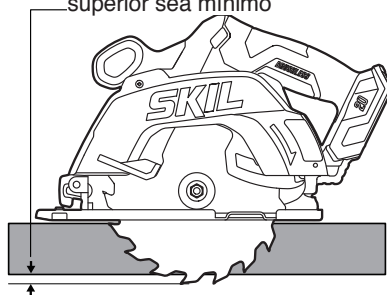


Fig. 5b

No más de una longitud de diente deberá penetrar en la madera para que el astillamiento del lado superior sea mínimo

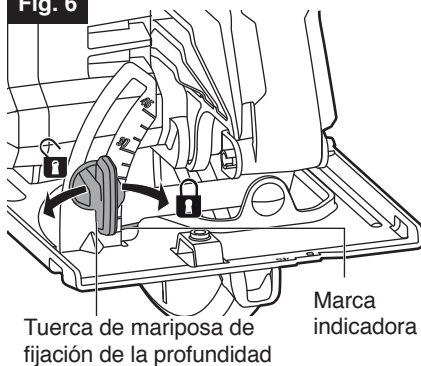


Ajuste del bisel (Fig. 6)

Esta herramienta está equipada con una tuerca de mariposa de fijación del bisel para cambiar el ángulo de corte. Para cambiar el ángulo de corte:

- Desinstale el paquete de batería de la herramienta.
- Afloje la tuerca de mariposa de fijación del bisel rotándola en sentido contrario al de las agujas del reloj.
- Incline el pie hasta que la marca del indicador de bisel alcance el ajuste deseado en la escala de biseles.
- Apriete firmemente la tuerca de mariposa de fijación del bisel rotándola en el sentido de las agujas del reloj.

Fig. 6



⚠ ADVERTENCIA

Si se intenta hacer cortes en bisel sin tener la tuerca de mariposa de fijación del bisel firmemente apretada se pueden causar lesiones graves.

⚠ ADVERTENCIA

Debido al aumento de la capacidad de acoplamiento de la hoja en la pieza de trabajo y la reducción en la estabilidad del pie, es posible que ocurra atoramiento de la hoja durante la realización de un corte en bisel. Mantenga estable la sierra y el pie firmemente sobre la pieza de trabajo.

NOTA: Cuando corte en bisel, la profundidad de corte no corresponderá con el valor de la escala de profundidad.

NOTA: Como los grosores de hoja varían y diferentes ángulos requieren diferentes ajustes, haga siempre un corte de prueba en material de desecho a lo largo de una línea de guía para determinar cuánto debería usted desplazar la línea de guía sobre la pieza de trabajo que se vaya a cortar.

Guía de línea (Fig. 7)

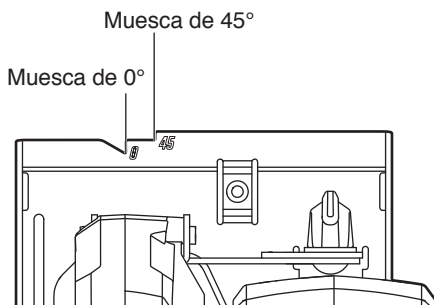
Hay dos muescas de guía de corte en el pie. Las muescas de la guía de corte indicarán una línea de corte aproximada.

Utilice la muesca de 0° ubicada a la derecha como guía visual para realizar un corte recto de 90°. Para realizar un corte en bisel a 45°, utilice la muesca de 45° ubicada a la izquierda (Fig. 7).

Haga cortes de muestra en madera de construcción de desecho para verificar la línea de corte real. Esto será útil, ya que los tipos y grosores de hoja varían.

Para asegurarse de que el astillamiento sea mínimo en el lado bueno del material que se vaya a cortar, oriente el lado bueno hacia abajo.

Fig. 7



Luz LED (Fig. 8a)

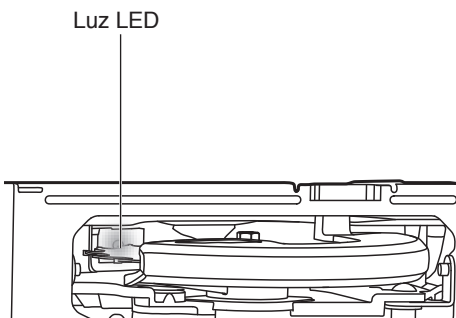
Esta herramienta está equipada con una luz LED ubicada debajo del protector superior. Esto proporciona iluminación adicional sobre la hoja de la sierra y la superficie de la pieza de trabajo.

La luz LED se encenderá automáticamente con una ligera compresión del interruptor gatillo. Se apagará aproximadamente 10 segundos después de soltar el interruptor gatillo.

NOTA:

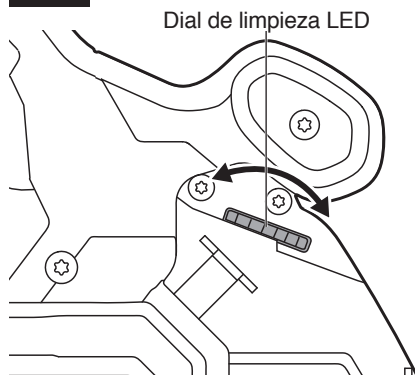
- La luz LED parpadeará rápidamente cuando la herramienta y/o el paquete de batería se sobrecarguen o estén demasiado calientes y los sensores internos apagarán la herramienta. Deje descansar la herramienta por un tiempo o coloque la herramienta y el paquete de batería por separado bajo una corriente de aire para que se enfríen.
- La luz LED parpadeará más lentamente para indicar que el nivel de carga del paquete de batería está bajo. Recargue el paquete de batería.

Fig. 8a



NOTA: El dial incorporado en el protector superior está diseñado para limpiar la luz LED. Cuando la luz LED se ponga tenue debido al aserrín acumulado en ella, gire el dial en cualquier sentido para eliminar el aserrín y hacer que la luz LED sea luminosa de nuevo (Fig. 8b).

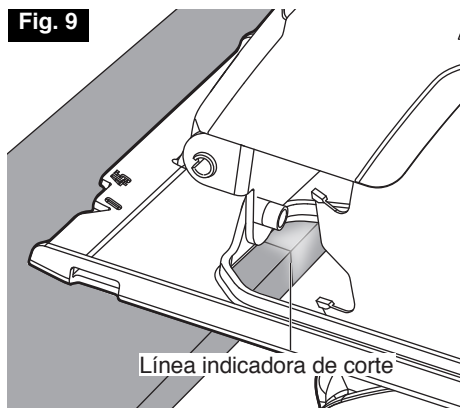
Fig. 8b



Línea indicadora de corte (Fig. 9)

La herramienta está equipada con la función de la línea indicadora de corte. La línea se volverá visible automáticamente en cuanto la luz LED se encienda. Siga la línea mientras corta.

Fig. 9

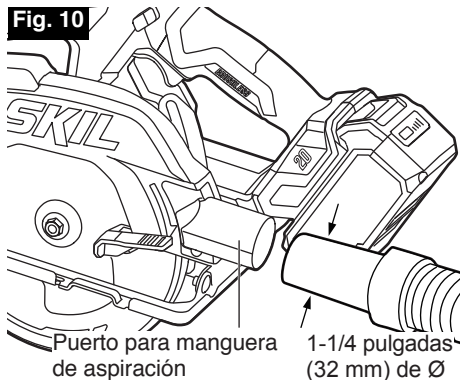


Puerto para manguera de aspiración (Fig. 10)

Esta sierra se envía con un puerto para manguera de aspiración y un tornillo de cabeza Phillips ST4x16 para sujetar el puerto para manguera a la sierra. El puerto para manguera acepta mangueras de aspiradora/extractor de polvo con 1-1/4 pulgadas (32 mm) de Ø.

- Retire el paquete de batería.
- Instale el puerto para manguera de aspiración en la sierra utilizando el tornillo de cabeza Phillips ST4X16 incluido.
- Instale una manguera de aspiradora/extractor adecuada o utilice un adaptador, en caso de que sea necesario.
- Desconecte la manguera de aspiración cuando haya terminado de cortar.

Fig. 10



⚠ ADVERTENCIA

No deje nunca que una manguera de aspiradora/extractor de polvo interfiera con el protector inferior o la operación de corte.

Uso previsto

Esta herramienta está diseñada para ser compatible con todas las aplicaciones de corte de madera: cortes generales, cortes transversales, cortes al hilo y cortes por inmersión. Utilice la herramienta solo para cortar madera o materiales parecidos a la madera.

AVISO

La herramienta no está diseñada para cortar metal o mampostería. El polvo y las virutas procedentes de esos materiales afectarán al funcionamiento del protector inferior.

⚠ ADVERTENCIA

No utilice discos abrasivos con sierras circulares. Es posible que el polvo abrasivo haga que el protector inferior no

funcione correctamente.

Cortes generales

⚠ ADVERTENCIA

Asegúrese siempre de que ninguna de las dos manos interfiera con el movimiento libre del protector inferior.

⚠ ADVERTENCIA

Después de completar un corte y soltar el gatillo, tenga en cuenta el tiempo que toma para que la hoja se detenga por completo durante la desaceleración por inercia. No deje que la sierra le roce la pierna o el costado; como el protector inferior es retráctil, este podría engancharse en la ropa del operador y dejar al descubierto la hoja. Tenga presentes las exposiciones necesarias de la hoja que existen en las áreas tanto del protector superior como del protector inferior.

Agarre siempre la sierra por la empuñadura principal con una mano y la empuñadura auxiliar con la otra. Mantenga un agarre firme con las dos manos en la sierra y posicione los brazos de manera que puedan resistir las fuerzas de retroceso. Posicione el cuerpo en cualquiera de los dos lados de la hoja, pero no en línea con la misma.

Para reanudar el corte después de que este se haya interrumpido, presione el botón de fijación en apagado, comprima el gatillo y deje que la hoja alcance su velocidad máxima, y luego reingrese lentamente en el corte y reanude la operación de corte.

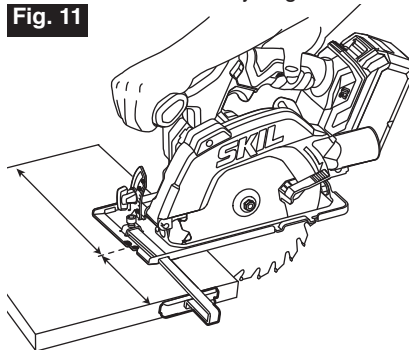
Al cortar transversalmente a la veta, las fibras de la madera tienen tendencia a desgarrarse y levantarse. Al hacer avanzar la sierra lentamente se minimiza este efecto. Para realizar un corte de acabado, se recomienda una hoja de corte transversal o una hoja ingletadora.

Cortes transversales/cortes al hilo

La hoja de combinación suministrada con esta sierra está diseñada para realizar tanto cortes transversales como cortes al hilo. Cortar al hilo es cortar longitudinalmente con la veta de la madera.

Los grosores de hoja varían, por lo que usted deberá hacer siempre un corte de prueba en material de desecho a lo largo de una línea de guía para determinar cuánto se debe desplazar dicha línea respecto a la guía para producir un corte preciso.

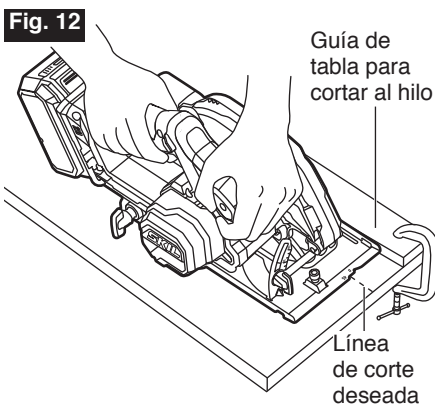
Fig. 11



Guía de tabla para cortar al hilo (Fig. 12)

Cuando corte al hilo planchas grandes, fije con abrazaderas o clave un pedazo recto de 1 pulgada (25 mm) de madera de construcción a la plancha como guía. Utilice el lado izquierdo del pie contra la guía de tabla.

⚠ ADVERTENCIA Asegúrese de que las abrazaderas no interfieran con el movimiento libre de la sierra.



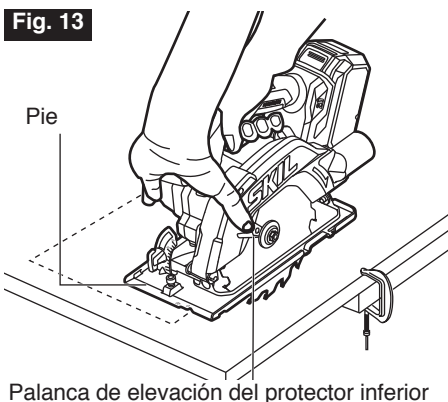
Corte por inmersión (Fig. 13)

⚠ ADVERTENCIA Ajuste siempre la posición de bisel a cero antes de hacer un corte por inmersión. Si se intenta un corte por inmersión en cualquier otro ajuste se puede causar pérdida de control de la sierra, lo cual puede causar lesiones graves.

- Retire el paquete de batería de la sierra circular.
- Ajuste la profundidad de acuerdo con el grosor del material que se vaya a cortar.
- Instale el paquete de batería.
- Agarre la empuñadura principal de la sierra con una mano, incline la sierra hacia delante y apoye la parte delantera del pie sobre el material que se vaya a cortar. Alinee la muesca de la guía de corte con la línea que ha trazado.
- Utilice la palanca de elevación del protector inferior para subir el protector inferior hasta que usted pueda agarrar y sujetar la empuñadura auxiliar con la otra mano.
- Posicione la sierra con la hoja justo encima del material que se vaya a cortar. Arranque el motor y, una vez que la hoja haya alcanzado su velocidad máxima, baje gradualmente el extremo trasero de la sierra utilizando el extremo delantero del pie como punto de bisagra.
- Suelte la palanca de elevación del protector inferior en cuanto la hoja se acople en la pieza de trabajo.
- Una vez que la placa-base descansa sobre la superficie que se esté cortando, proceda a cortar en dirección de avance hasta el final del corte.

⚠ ADVERTENCIA Deje que la hoja se detenga por completo antes de levantar la sierra para retirarla del corte. Además, no jale nunca la sierra hacia atrás, ya que la hoja trepará hasta salirse del material y se producirá RETROCESO.

- Dele la vuelta a la sierra y acabe el corte de manera normal, aserrando hacia delante. Si las esquinas de su corte por inmersión no se atraviesan completamente en el corte, utilice una sierra caladora o una sierra de mano para acabar dichas esquinas.



Corte de planchas grandes

Las planchas grandes y las tablas largas se pueden arquear o doblar, dependiendo de su soporte. Si intenta cortar sin nivelar y soportar adecuadamente la pieza, la hoja tenderá a atorarse, con lo cual causará RETROCESO y carga adicional sobre el motor (Fig. 14a).

Soporte el panel o la tabla cerca del corte, de la manera que se muestra en la ilustración (Fig. 14b). Asegúrese de ajustar la profundidad de corte de manera que usted solo corte a través de la plancha o tabla y no corte a través de la mesa o el banco de trabajo.

Las maderas de dos por cuatro utilizadas para elevar y soportar la pieza de trabajo se deberán posicionar de manera que los lados más anchos soporten la pieza de trabajo y descansen sobre la mesa o el banco de trabajo. No soporte la pieza de trabajo con los lados estrechos, ya que se trata de una configuración inestable. Si la plancha o tabla que se va a cortar es demasiado grande para una mesa o un banco de trabajo, utilice maderas de soporte de dos por cuatro en el piso y sujételas firmemente.

Fig. 14a

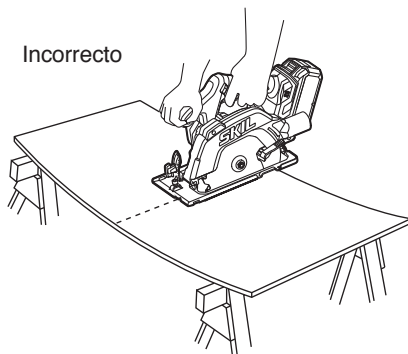
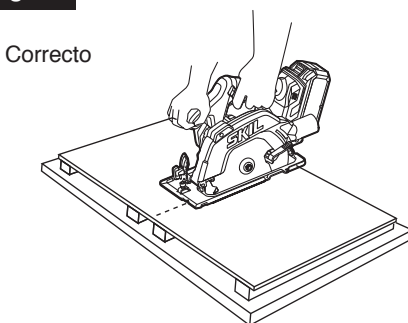


Fig. 14b



MANTENIMIENTO

⚠ ADVERTENCIA Para evitar lesiones corporales graves, retire siempre el paquete de batería de la herramienta cuando realice limpieza o efectúe cualquier mantenimiento.

Servicio de ajustes y reparaciones

⚠ ADVERTENCIA Es posible que el mantenimiento preventivo realizado por personal no autorizado dé lugar a una colocación incorrecta de los cables y componentes internos, lo cual podría causar un peligro grave.

Recomendamos que todo el servicio de ajustes y reparaciones de la herramienta sea realizado por un Centro de Servicio de Fábrica SKIL o una Estación de Servicio SKIL Autorizada.

Mantenimiento general

⚠ ADVERTENCIA Cuando haga servicio de ajustes y reparaciones, utilice únicamente piezas de repuesto idénticas. La utilización de cualquier otra pieza podría crear un peligro o causar daños al producto.

Inspeccione periódicamente todo el producto para determinar si hay piezas dañadas, si faltan piezas o si hay piezas flojas, tales como tornillos, tuercas, pernos, tapas, etc. Apriete firmemente todos los sujetadores y todas las tapas, y no utilice este producto hasta que todas las piezas que faltan o estén dañadas hayan sido reemplazadas. Sírvase contactar a servicio al cliente o a un centro de servicio autorizado para obtener asistencia.

Limpieza

La herramienta se puede limpiar con la máxima eficacia con aire comprimido seco.

⚠ ADVERTENCIA Use siempre anteojos de seguridad cuando limpie herramientas con aire comprimido. Las aberturas de ventilación y las palancas de interruptor se deben mantener limpias y libres de materia extraña. No intente limpiar la herramienta insertando objetos puntiagudos a través de las aberturas.

Almacenamiento

Almacene la herramienta en un lugar interior que sea inaccesible para los niños. Manténgala alejada de los agentes corrosivos.

Cuidado de las hojas

Las hojas se desafilan, incluso al cortar madera de construcción normal. Si encuentra que tiene que forzar la sierra hacia adelante para cortar en lugar de simplemente guiarla a través del corte, lo más probable es que la hoja esté desafilada o recubierta con resina de madera.

Cuando limpie la hoja para eliminar la goma y la resina, desinstale el paquete de batería y retire la hoja.

Recuerde que las hojas están diseñadas para cortar, por lo que deberá manejarlas cuidadosamente. Use guantes y limpie la hoja con un paño con queroseno o un solvente similar para eliminar la goma y la resina.

A menos que usted tenga experiencia en afilar hojas, le recomendamos que no lo intente.

RESOLUCIÓN DE PROBLEMAS

Problema	Causa	Remedio
La herramienta no arranca.	1. La carga del paquete de batería está agotada.	1. Cargue el paquete de batería
	2. El paquete de batería no está instalado correctamente.	2. Confirme que la batería está fija y firmemente sujeta en la herramienta.
	3. Interruptor quemado.	3. Haga que el interruptor sea reemplazado por un Centro de Servicio SKIL Autorizado o una Estación de Servicio SKIL Autorizada.
La hoja no alcanza la velocidad máxima.	1 Carga baja de la batería.	1. Recargue el paquete de batería o utilice un paquete completamente cargado.
Vibración excesiva.	1. La hoja está desequilibrada.	1. Deseche la hoja y utilice una hoja diferente.
	2. La pieza de trabajo no está fija con abrazaderas o soportada adecuadamente.	2. Fije con abrazaderas o soporte adecuadamente la pieza de trabajo.
La hoja no sigue una línea recta.	1. Los dientes de la hoja están desafilados.	1. Reemplace la hoja por una nueva.
	2. El pie está desalineado o doblado.	2. Haga que la herramienta sea reparada por un Centro de Servicio SKIL Autorizado o una Estación de Servicio SKIL Autorizada.
	3. La hoja está doblada.	3. Reemplace la hoja por una nueva.
El corte se atora, quema, detiene el motor al cortar al hilo.	1. Hoja desafilada u hoja con dentado incorrecto.	1. Deseche la hoja y utilice una hoja diferente.
	2. La hoja se atora.	2. Reensamble la hoja y apriete el perno de la hoja siguiendo las instrucciones del capítulo "Instalación de la hoja".
	3. Soporte inadecuado de la pieza de trabajo.	3. Fije con abrazaderas o soporte adecuadamente la pieza de trabajo.
El motor está funcionando, pero la sierra no corta la pieza de trabajo.	1. La rueda resbala.	1. Reensamble la hoja y apriete el perno de la hoja siguiendo las instrucciones del capítulo "Instalación de la hoja".

GARANTÍA LIMITADA PARA HERRAMIENTAS DE CONSUMO SKIL

GARANTÍA LIMITADA DE 5 AÑOS

Chervon North America, Inc. (el "Vendedor") garantiza, solamente al comprador original, que todas las HERRAMIENTAS de consumo SKIL estarán libres de defectos de material o de fabricación por un período de cinco años a partir de la fecha de compra, si el comprador original registra el producto dentro del plazo de 30 días después de su compra. LAS BATERÍAS Y LOS CARGADORES están garantizados por 2 años. El registro del producto se puede completar en línea en www.Registermyskil.com. Los compradores originales deberán también retener su recibo como comprobante de compra. EL PERÍODO DE GARANTÍA DE CINCO AÑOS PARA LAS HERRAMIENTAS ESTÁ CONDICIONADO AL REGISTRO DEL PRODUCTO DENTRO DEL PLAZO DE 30 DÍAS DESPUÉS DE SU COMPRA. Si los compradores originales no registran su producto dentro del plazo establecido, la garantía limitada que antecede se aplicará con una duración de tres años para las herramientas. Todas las baterías y todos los cargadores permanecerán bajo la garantía limitada de dos años.

Con independencia de lo anterior, si una herramienta de consumo SKIL se utiliza para fines industriales, profesionales o comerciales, la garantía que antecede se aplicará con una duración de noventa días, independientemente de que se haya registrado.

LA OBLIGACIÓN EXCLUSIVA DEL VENDEDOR Y EL RECURSO EXCLUSIVO QUE USTED TIENE bajo esta Garantía Limitada y, hasta donde la ley lo permita, cualquier garantía o condición implícita por ley, consistirán en la reparación o el reemplazo de las piezas, sin cargo, que presenten defectos de material o de fabricación y que no hayan sido utilizadas incorrectamente, manejadas descuidadamente o reparadas por personas que no sean el Vendedor o una Estación de Servicio Autorizada. Para presentar un reclamo bajo esta Garantía Limitada, usted debe devolver el producto completo, con el transporte prepagado, a cualquier Centro de Servicio de Fábrica o Estación de Servicio Autorizada SKIL. Para localizar las Estaciones de Servicio de Herramientas Eléctricas SKIL Autorizadas, sírvase visitar www.Registermyskil.com o llamar al 1-877-SKIL-999 (1-877-754-5999).

ESTA GARANTÍA LIMITADA NO SE APLICA A ARTÍCULOS ACCESORIOS, TALES COMO HOJAS DE SIERRA CIRCULAR, BROCAS TALADRADORAS, BROCAS DE FRESADORA, HOJAS DE SIERRA CALADORA, CORREAS DE LIJAR, DISCOS DE AMOLAR Y OTROS ARTÍCULOS RELACIONADOS.

TODAS LAS GARANTÍAS IMPLÍCITAS APLICABLES A UN PRODUCTO ESTARÁN LIMITADAS EN DURACIÓN A LA MISMA DURACIÓN QUE TENGAN LAS GARANTÍAS EXPRESAS APLICABLES A DICHO PRODUCTO, TAL COMO SE ESTABLECE EN EL PRIMER PÁRRAFO QUE ANTECEDE. ALGUNOS ESTADOS DE LOS EE.UU. Y ALGUNAS PROVINCIAS CANADIENSES NO PERMITEN LIMITACIONES EN CUANTO A LA DURACIÓN DE UNA GARANTÍA IMPLÍCITA, POR LO QUE ES POSIBLE QUE LA LIMITACIÓN QUE ANTECEDE NO TENGA APLICACIÓN EN EL CASO DE USTED.

EL VENDEDOR NO SERÁ RESPONSABLE EN NINGÚN CASO POR DAÑOS INCIDENTALES O EMERGENTES (INCLUYENDO PERO SIN ESTAR LIMITADOS A RESPONSABILIDAD POR PÉRDIDA DE UTILIDADES) QUE SURJAN DE LA VENTA O EL USO DE ESTE PRODUCTO. ALGUNOS ESTADOS DE LOS EE.UU. Y ALGUNAS PROVINCIAS CANADIENSES NO PERMITEN LA EXCLUSIÓN NI LA LIMITACIÓN DE LOS DAÑOS INCIDENTALES O EMERGENTES, POR LO QUE ES POSIBLE QUE LA LIMITACIÓN O EXCLUSIÓN QUE ANTECEDE NO TENGA APLICACIÓN EN EL CASO DE USTED.

ESTA GARANTÍA LIMITADA LE CONFIERE A USTED DERECHOS LEGALES ESPECÍFICOS Y ES POSIBLE QUE USTED TENGA TAMBIÉN OTROS DERECHOS QUE VARÍAN DE UN ESTADO A OTRO EN LOS EE.UU., DE UNA PROVINCIA A OTRA EN CANADÁ Y DE UN PAÍS A OTRO.

ESTA GARANTÍA LIMITADA SE APLICA SOLAMENTE A LOS PRODUCTOS VENDIDOS EN LOS ESTADOS UNIDOS DE AMÉRICA, CANADÁ Y EL ESTADO LIBRE ASOCIADO DE PUERTO RICO. PARA OBTENER COBERTURA DE GARANTÍA EN OTROS PAÍSES, CONTACTE A SU DISTRIBUIDOR O IMPORTADOR SKIL LOCAL.

© Chervon North America, 1203 E. Warrenville Rd, Naperville, IL 60563.

