

Band Saw - F 012 338 600 - 3386

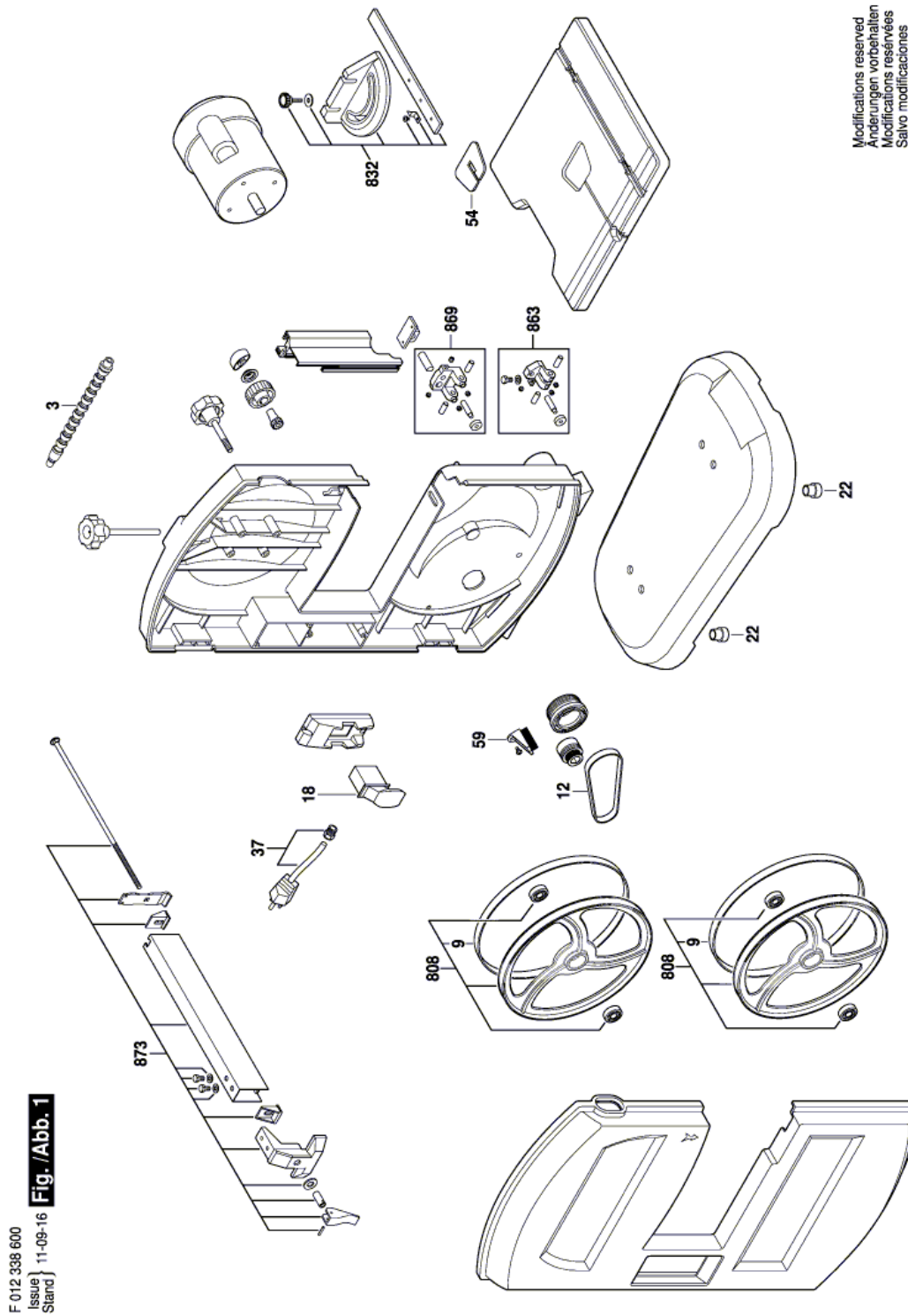


Item	Part Number	Description	Illustration	Price	Quantity	Price Group
3	1 619 PA2 629	LED lamp		\$ 5.45	1	20
9	1 619 PA2 626	Wheel		\$ 2.42	2	15
12	2 610 958 810	Belt		\$ 3.55	1	17
18	2 610 958 835	Switch		\$ 6.25	1	21
22	1 619 PA2 606	Stand Foot		\$ 0.65	4	10
37	1 619 PA2 607	Power supply cord		\$ 9.35	1	24
54	1 619 PA2 608	Insert		\$ 0.65	1	10
59	2 610 958 811	Brush		\$ 1.29	1	12
808	1 619 PA2 610	Wheel Set		\$ 14.15	1	28
832	1 619 PA2 611	Mitre Gauge		\$ 4.70	1	19
863	1 619 PA2 612	Blade Guide		\$ 4.10	1	18
869	1 619 PA2 613	Blade Guide		\$ 7.20	1	22
873	1 619 PA2 614	Guide		\$ 9.35	1	24

Product information Band Saw - F 012 338 600 - 3386

Product No	F 012 338 600
Description	269,921; Band Saw
DIN-Text	
ID_Text_Ext	0
Trading_Description	3386
Voltage_1	120 V
ID_Country_Product	USA

Illustration - Type E



Information subject to change without further notice.