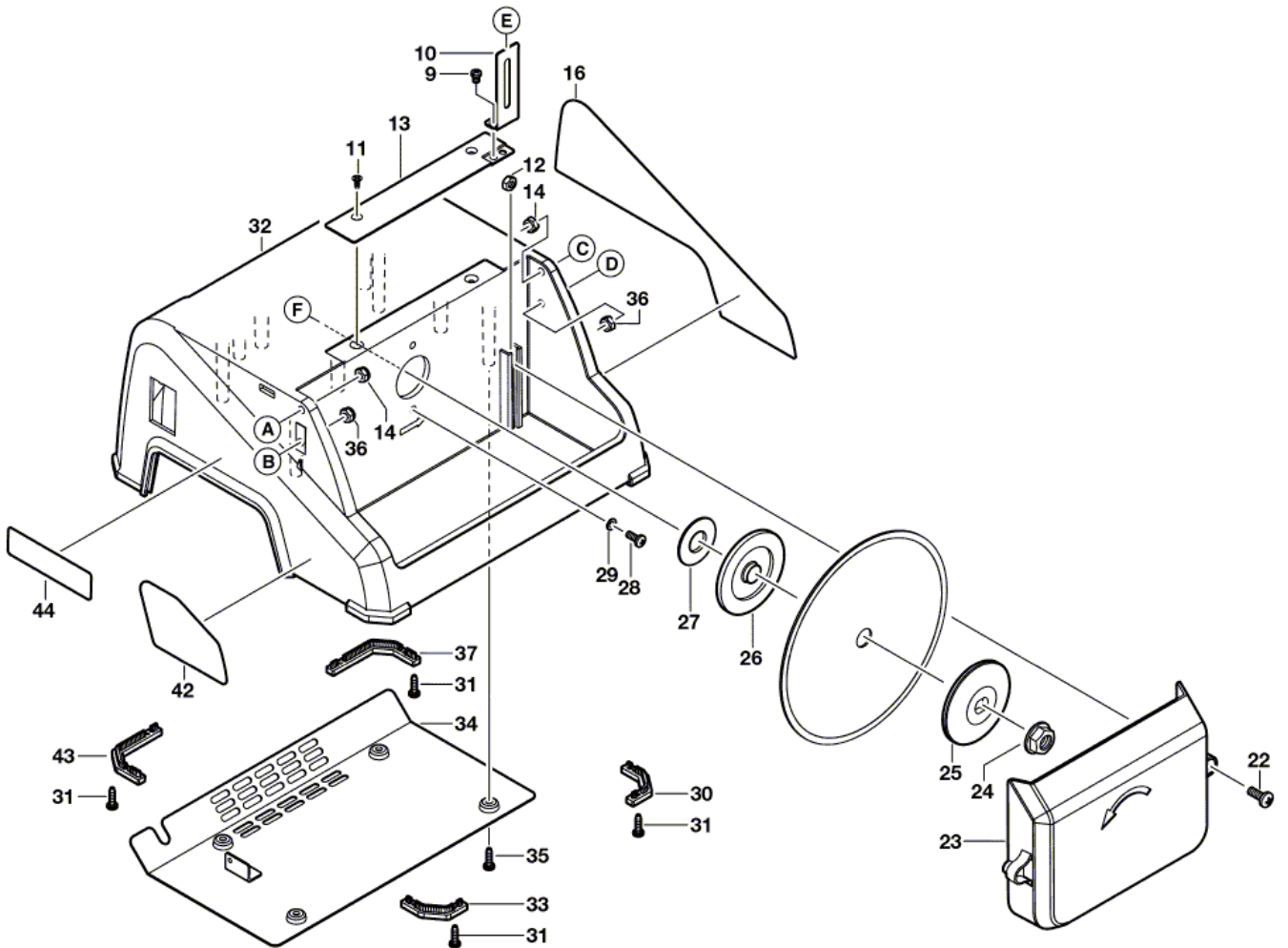
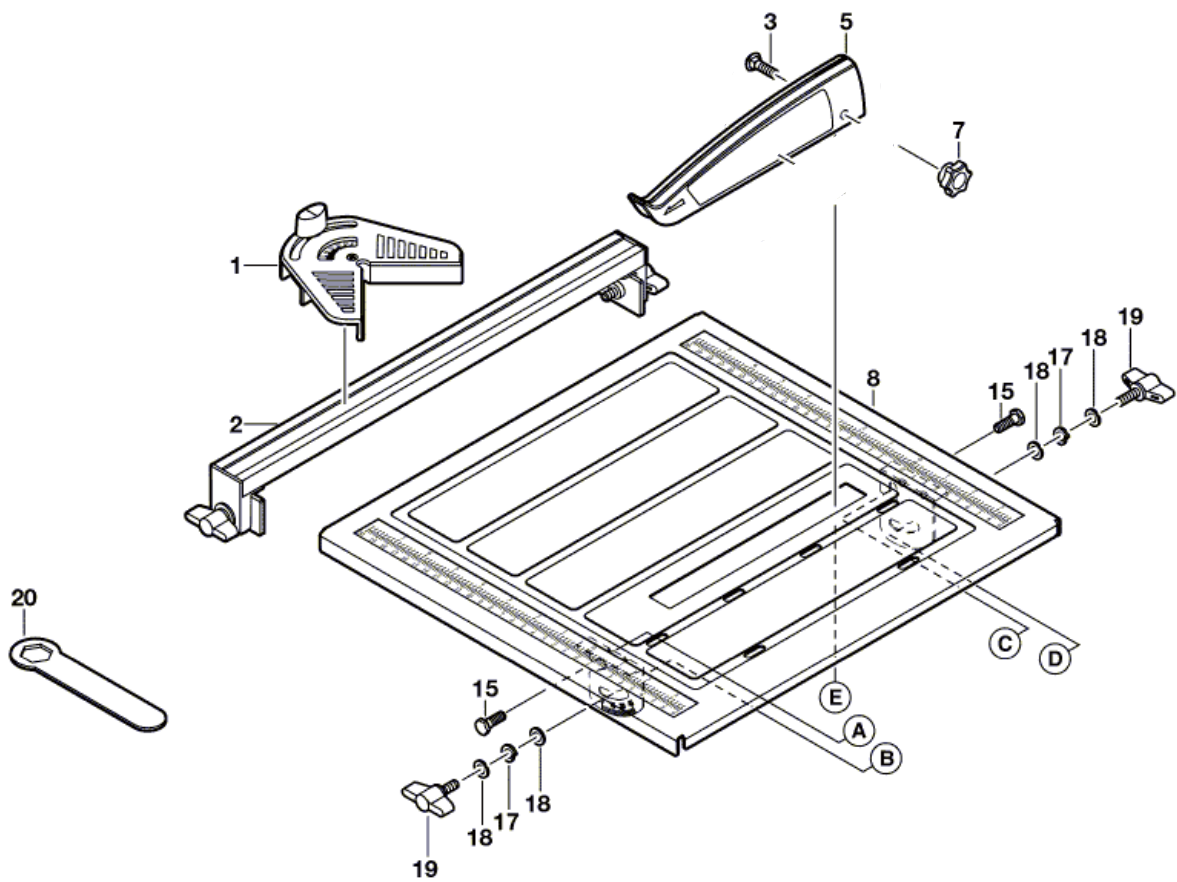


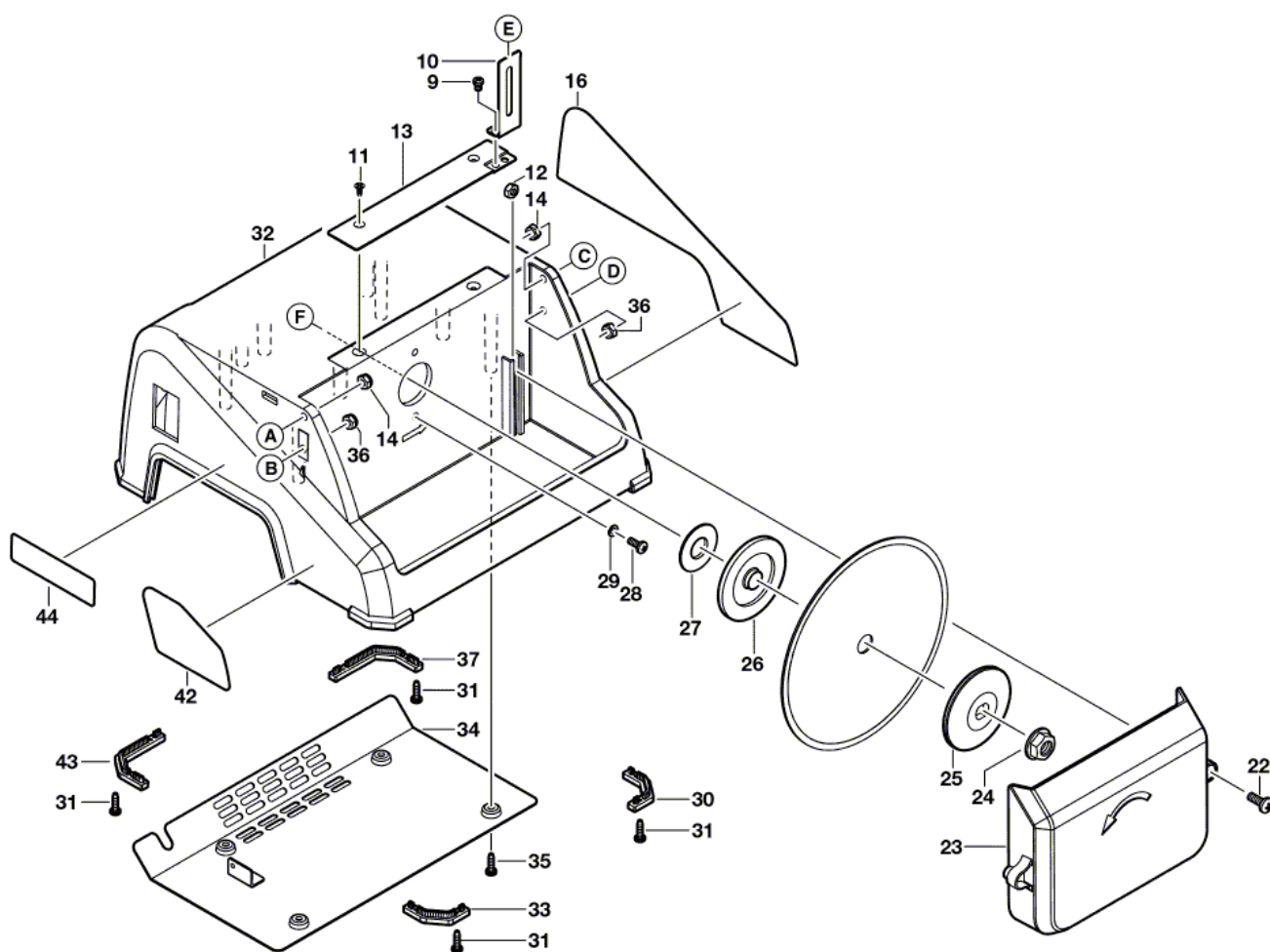


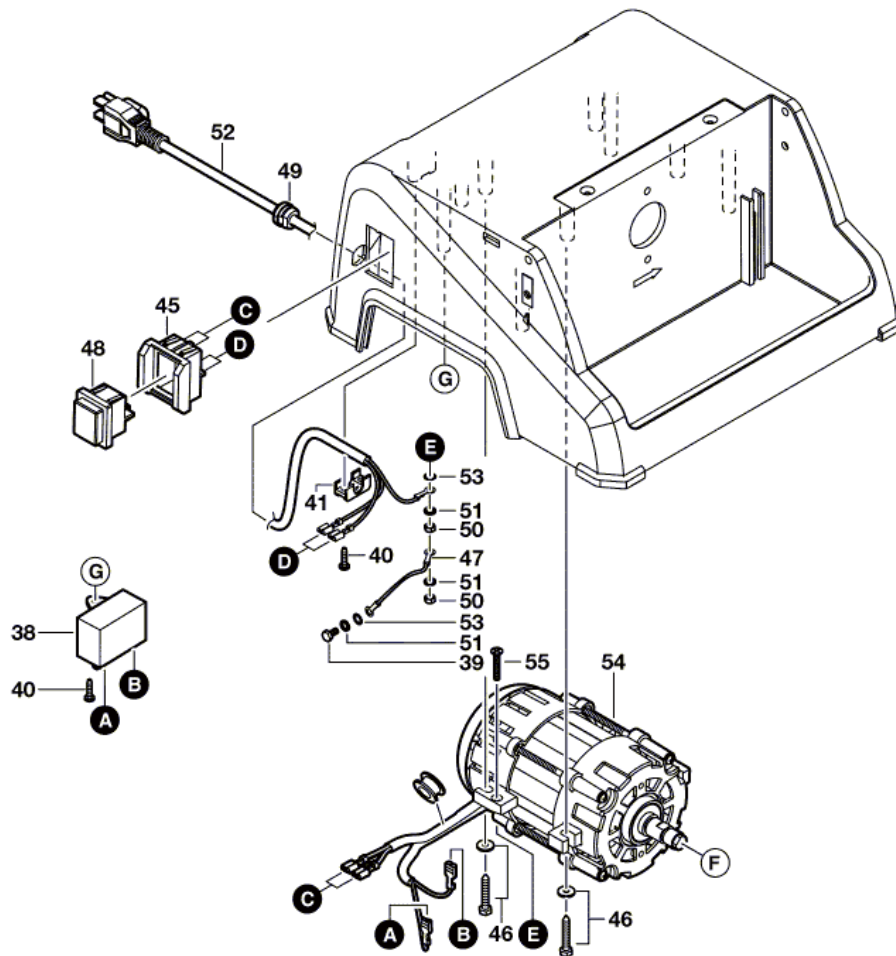
Product Description: Tile Saw
Model Number: 3540-01
Body Number: 0200008006
Version: A
Issue Date: 2010/04/07



No.	Product Model#	Part Number	Description 英文名称	Qty 数量
1	3540-01	2826622057	Angle Guide Assembly	1
2	3540-01	2826622058	Fence Assembly	1
3	3540-01	5640322002	Cup Square Bolt M6x20	1
5	3540-01	3130253056	Blade Upper Guard	1
7	3540-01	3403084006	Locking Knob	1
8	3540-01	2826622059	Table Top Assembly	1
9	3540-01	5610361035	Screw M5x6	2
10	3540-01	3706973016	Riving Knife	1
11	3540-01	5610361036	Tapping Screw ST3.5x9.5F	2
12	3540-01	5630352007	Hexagon Nut M6	2
13	3540-01	3706973014	Cushion	1
14	3540-01	5630352011	Hexagon Nut M6	2
15	3540-01	5610361034	Screw M6	2
16	3540-01	2244472016	Nameplate	1
17	3540-01	5650710024	Spring Lock Washer	2
18	3540-01	5650710025	Plain Washer	4
19	3540-01	3130253057	Wing Bolt 2	2
20	3540-01	5680258006	Nut Wrench	1
22	3540-01	5610361037	Screw M6x16	2
23	3540-01	3706973017	lower guard	1
24	3540-01	5630352012	Flange Nut M12	1
25	3540-01	3580000006	Outer Flange	1
26	3540-01	3580000005	Inner Flange	1
27	3540-01	5690438017	Seal Ring	1
28	3540-01	5610361038	Screw M5x10	2
29	3540-01	5650710026	Washer	2
30	3540-01	3130253058	Rubber Foot 2	1
31	3540-01	5610361039	Tapping Screw ST2.2x7F	8
32	3540-01	3130253059	Frame	1
33	3540-01	3130253060	Rubber Foot 1	1
34	3540-01	3706973015	Cover Plate	1
35	3540-01	5610361040	Tapping Screw ST4.2x16F	4
36	3540-01	5630352009	Hexagon Nut M6	2
37	3540-01	3130253061	Rubber Foot 3	1
38	3540-01	4970337002	Capacitor	1
39	3540-01	5640322003	Hexagon Bolt M4x8	1
40	3540-01	5610361067	Tapping Screw ST3.5x15F	3
41	3540-01	3706973034	Cable Clip	1
42	3540-01	2244472017	Warning Label	1
43	3540-01	3130253063	Rubber Foot 4	1
44	3540-01	2244472018	Label	1
45	3540-01	3130253073	Switch Guard	1
46	3540-01	5610361042	Screw w/ Washer	4
47	3540-01	4860645007	Earth Wire Assembly	1
48	3540-01	4870696021	Switch	1
49	3540-01	3130253072	Cable Holder	1
50	3540-01	5630352010	Hexagon Nut M4	2
51	3540-01	5650710027	Spring Lock Washer	3
52	3540-01	4810237013	Power Cord	1
53	3540-01	5650710028	Serrated Lock Washer	2
54	3540-01	2710117001	Motor Assembly	1
55	3540-01	5610361043	Screw M4x25	1







No.	Product Model#	Part Number	Description 英文名称	Qty 数量
1	3540-02	2826622057	Angle Guide Assembly	1
2	3540-02	2826622058	Fence Assembly	1
3	3540-02	5640322002	Cup Square Bolt M6x20	1
5	3540-02	3130253056	Blade Upper Guard	1
7	3540-02	3403084006	Locking Knob	1
8	3540-02	2826622059	Table Top Assembly	1
9	3540-02	5610361035	Screw M5x6	2
10	3540-02	3706973016	Riving Knife	1
11	3540-02	5610361036	Tapping Screw ST3.5x9.5F	2
12	3540-02	5630352007	Hexagon Nut M6	2
13	3540-02	3706973014	Cushion	1
14	3540-02	5630352011	Hexagon Nut M6	2
15	3540-02	5610361034	Screw M6	2
16	3540-02	2244472016	Nameplate	1
17	3540-02	5650710024	Spring Lock Washer	2
18	3540-02	5650710025	Plain Washer	4
19	3540-02	3130253057	Wing Bolt 2	2
20	3540-02	5680258006	Nut Wrench	1
22	3540-02	5610361037	Screw M6x16	2
23	3540-02	3706973017	lower guard	1
24	3540-02	5630352012	Flange Nut M12	1
25	3540-02	3580000006	Outer Flange	1
26	3540-02	3580000005	Inner Flange	1
27	3540-02	5690438017	Seal Ring	1
28	3540-02	5610361038	Screw M5x10	2
29	3540-02	5650710026	Washer	2
30	3540-02	3130253058	Rubber Foot 2	1
31	3540-02	5610361039	Tapping Screw ST2.2x7F	8
32	3540-02	3130253059	Frame	1
33	3540-02	3130253060	Rubber Foot 1	1
34	3540-02	3706973015	Cover Plate	1
35	3540-02	5610361040	Tapping Screw ST4.2x16F	4
36	3540-02	5630352009	Hexagon Nut M6	2
37	3540-02	3130253061	Rubber Foot 3	1
38	3540-02	4970337002	Capacitor	1
39	3540-02	5640322003	Hexagon Bolt M4x8	1
40	3540-02	5610361067	Tapping Screw ST3.5x15F	3
41	3540-02	3706973034	Cable Clip	1
42	3540-02	2244472017	Warning Label	1
43	3540-02	3130253063	Rubber Foot 4	1
44	3540-02	2244472018	Label	1
45	3540-02	3130253073	Switch Guard	1
46	3540-02	5610361042	Screw w/ Washer	4
47	3540-02	4860645007	Earth Wire Assembly	1
48	3540-02	4870696021	Switch	1
49	3540-02	3130253072	Cable Holder	1
50	3540-02	5630352010	Hexagon Nut M4	2
51	3540-02	5650710027	Spring Lock Washer	3
52	3540-02	4810237013	Power Cord	1
53	3540-02	5650710028	Serrated Lock Washer	2
54	3540-02	2710117001	Motor Assembly	1
55	3540-02	5610361043	Screw M4x25	1