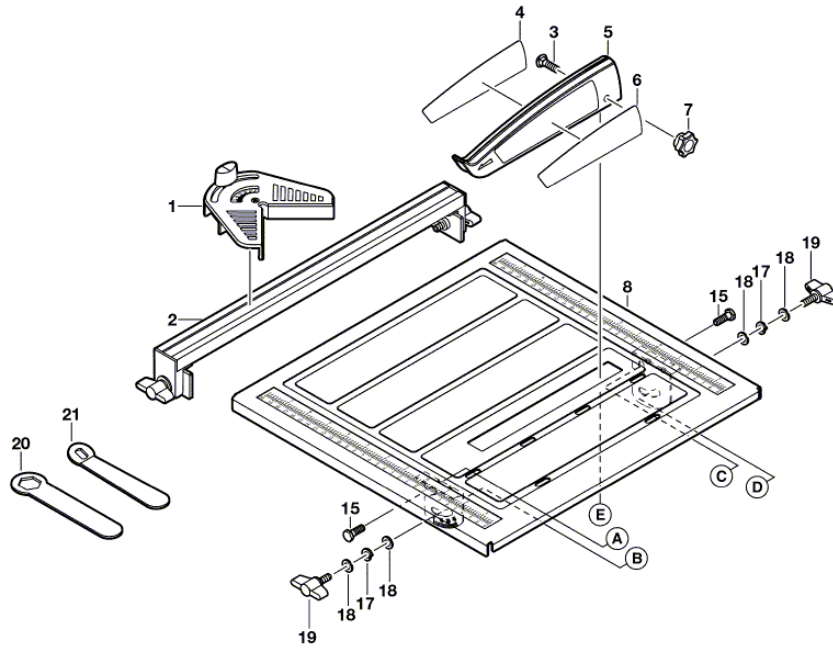


F 012 354 000 3540

09.03.2011 18:31:21

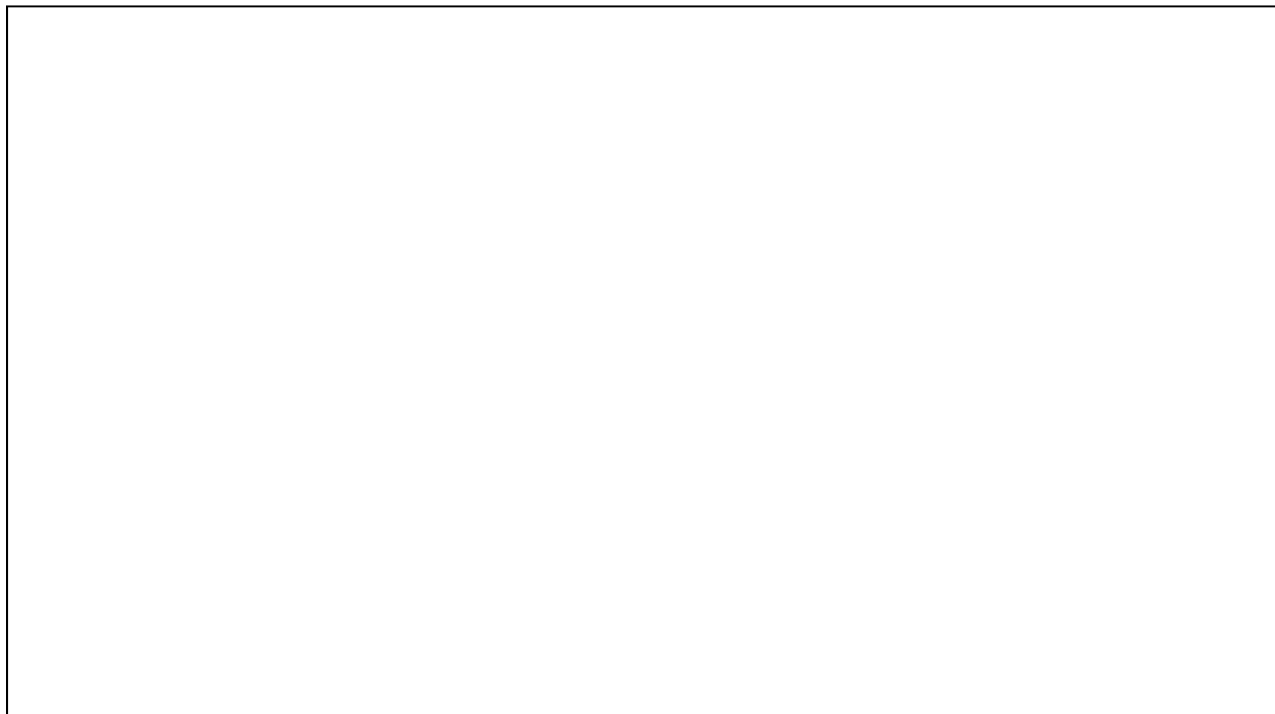
F 012 354 000
Stand } 10-04-07
Issue } **Fig./Abb. 1**



Änderungen vorbehalten
Modifications reserved
Modificaciones reservadas
Salvo modificaciones

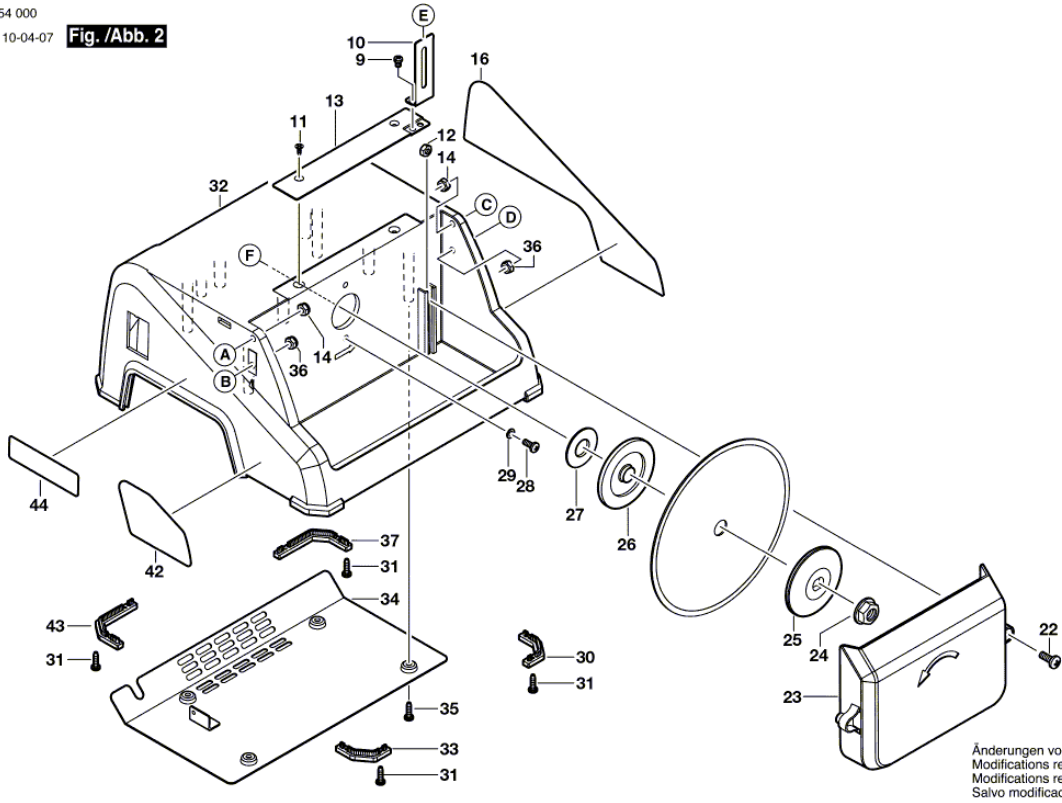
Item	Quantity	Order No.	Designation	Price group	Page
1	1	1 609 B01 082	Mitre Fence	14	1
2	1	1 609 B01 089	Parallel-Guide	25	1
3	1	1 609 B01 056	Round-Head Bolt	10	1
4	1	1 609 B01 103	Label	11	1
5	1	1 609 B01 013	Upper guard	11	1
6	1	1 609 B01 104	Label	11	1
7	1	1 609 B01 025	Retention knob	10	1
8	1	1 609 B01 014	Table Plate	30	1
9	2	1 609 B01 048	Screw	10	2
10	1	1 609 B01 012	Riving Knife	10	2
11	2	1 609 B01 046	Plastic-Cutting Screw	10	2
12	2	1 609 B01 041	Hex Nut	10	2
13	1	1 609 B01 022	Cushion	10	2
14	2	1 609 B01 044	Hex Nut	10	2
15	2	1 609 B01 035	Hexagon Bolt	10	1
16	1	1 609 B01 106	Nameplate	11	2
17	2	1 609 B01 090	Spring Washer	10	1
18	4	1 609 B01 039	Plain Washer	10	1
19	2	1 609 B01 024	Eye Bolt	10	1
20	1	2 610 008 268	Hexagon Socket Wrench	14	1
21	1	1 609 B01 058	Slotted Wrench	14	1

22	2	1 609 B01 053	Screw	10	2
23	1	1 609 B01 017	Lower guard	25	2
24	1	1 609 B01 094	Flange nut	10	2
25	1	1 609 B01 019	Clamping-Flange	16	2
26	1	1 609 B01 018	Clamping-Flange	16	2
27	1	1 609 B01 028	Sealing ring	10	2
28	2	1 609 B01 101	Screw	10	2
29	2	1 609 B01 102	Plain Washer	10	2
30	1	1 609 B01 009	Rubber Pad	10	2
31	8	1 609 B01 054	Plastic-Cutting Screw	10	2
32	1	1 609 B01 007	Base Frame	34	2
33	1	1 609 B01 008	Rubber Pad	10	2
34	1	1 609 B01 021	Protective Cover	24	2
35	4	1 609 B01 095	Plastic-Cutting Screw	10	2
36	2	1 609 B01 043	Hex Nut	10	2
37	1	1 609 B01 010	Rubber Pad	10	2
38	1	1 609 B01 097	Motor Capacitor	20	3
39	1	1 609 B01 055	Hexagon Bolt	10	3
40	3	1 609 B01 052	Plastic-Cutting Screw	10	3
41	1	1 609 B01 020	Cable Clip	10	3
42	1	1 609 B01 107	Warning Label	11	2
43	1	1 609 B01 011	Rubber Pad	10	2
44	1	1 609 B01 105	Label	11	2
45	1	1 609 B01 023	Switch Cover	10	3
46	4	1 609 B01 057	Plastic-Cutting Screw	10	3
47	1	1 609 B01 084	Grounding Cable	10	3
48	1	1 609 B01 029	Lever Switch	20	3
49	1	1 609 B01 027	Cable Holder	10	3
50	2	1 609 B01 042	Hex Nut	10	3
51	3	1 609 B01 037	Spring Lock Washer	10	3
52	1	1 609 B01 083	Power supply cord	25	3
53	2	1 609 B01 036	Serrated Lock-Washer	10	3
54	1	1 609 B01 006	Asynchronous Motor	44	3
55	1	1 609 B01 050	Screw	10	3

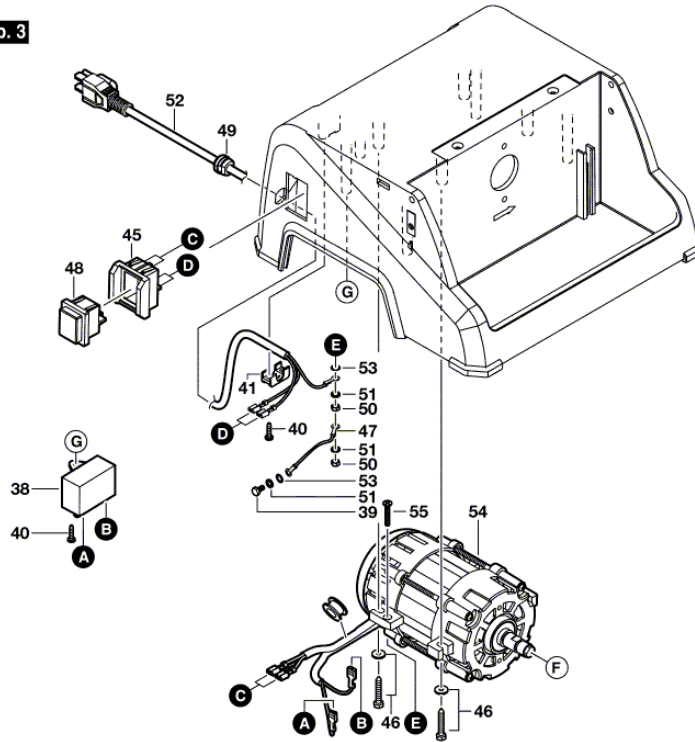


F 012 354 000
Stand } 10-04-07
Issue }

Fig. /Abb. 2



F 012 354 000
Stand } 10-04-07 **Fig. /Abb. 3**
Issue }



Änderungen vorbehalten
Modifications reserved
Modificaciones reservées
Salvo modificaciones