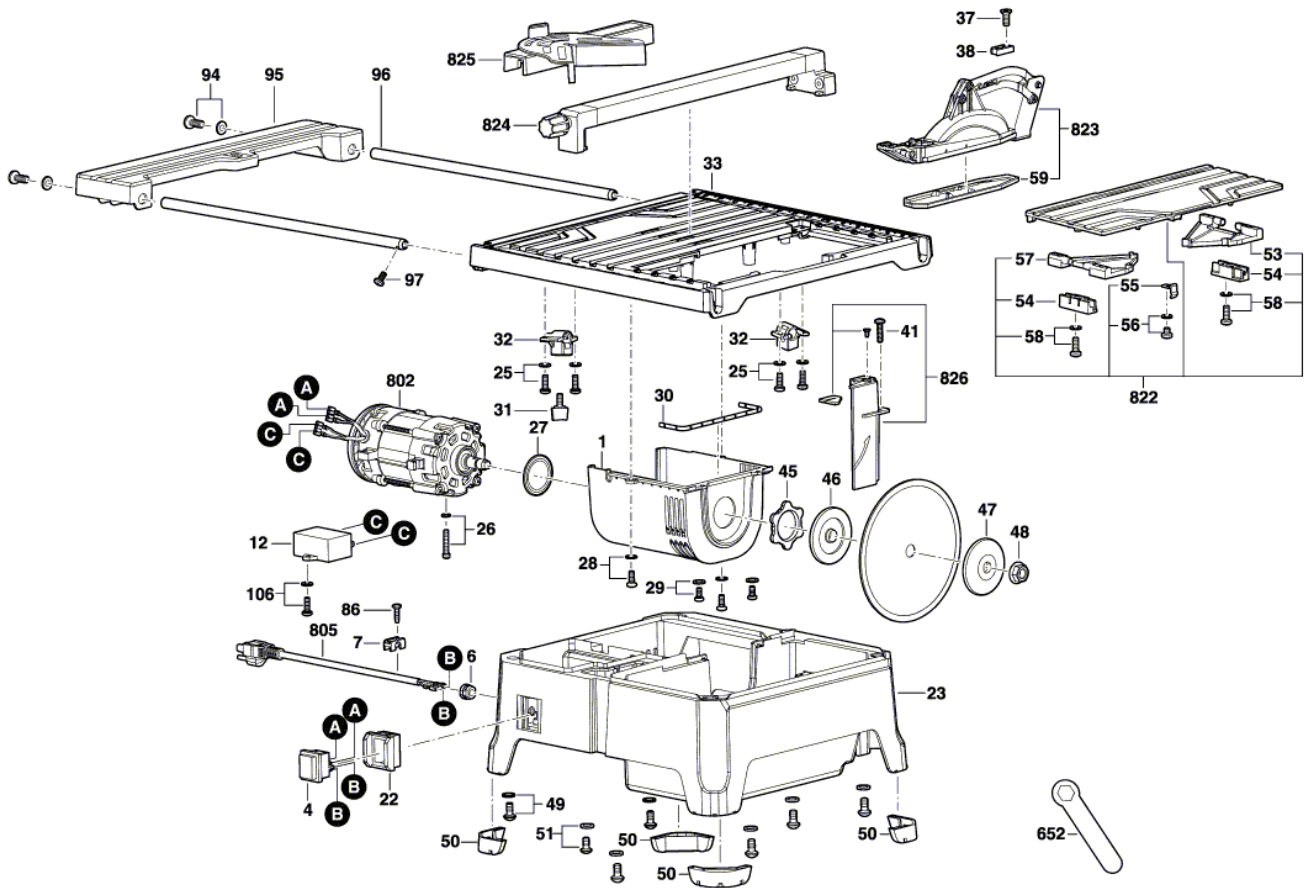


No.	Product Model#	Part Number	Description	Qty
1	3550-01	3130253071	motor housing	1
4	3550-01	4870696021	switch	1
6	3550-01	3130253072	cable holder	1
7	3550-01	3706973034	cable clip	1
12	3550-01	4970337003	motor capacitor	1
22	3550-01	3130253073	switch guard	1
23	3550-01	3130253074	housing	1
25	3550-01	5610361057	screw	4
26	3550-01	5610361058	serew M5X32	4
27	3550-01	5690438020	sealing	1
28	3550-01	5610361059	screw	2
29	3550-01	5610361069	screw	2
30	3550-01	5690438018	sealing rubber	1
31	3550-01	3130253075	knob	2
32	3550-01	3706973035	pole sleeve	1
33	3550-01	3706973036	table	1
37	3550-01	5610361060	screw	2
38	3550-01	3706973037	pressure pad	1
41	3550-01	5610361061	screw	1
45	3550-01	3706973038	sealing cover	1
46	3550-01	3580000005	inner flange	1
47	3550-01	3580000006	outer flange	1
48	3550-01	5630352012	flange nut M12	1
49	3550-01	5610361062	screw	1
50	3550-01	5410106001	foot cover	4
51	3550-01	5610361063	screw	6
53	3550-01	3706973039	supporting frame	1
54	3550-01	3706973040	connector	2
55	3550-01	3660753019	spring leaf	1
56	3550-01	5610361064	screw	1
57	3550-01	3706973041	supporting frame	1
58	3550-01	5650710029	toothed lock washer	2
59	3550-01	5690438019	rubber ring	1
86	3550-01	5610361067	screw	2
94	3550-01	5610361068	screw	2
95	3550-01	3706973042	sliding plate	1
96	3550-01	3553285022	slidng shaft	2
97	3550-01	5610361065	screw	1
106	3550-01	5610361066	screw	1
652	3550-01	5680258006	wrench	1
802	3550-01	2720107001	motor	1
805	3550-01	4810237015	cable	1
822	3550-01	2826622068	table 45° BEVLEL	1
823	3550-01	2826622069	upper guard	1
824	3550-01	2826622070	guide assembly	1
825	3550-01	2826622071	miter guage	1
826	3550-01	2826622072	lower guard	1



No.	Product Model#	Part Number	Description	Qty
1	3550-02	3130253071	motor housing	1
4	3550-02	4870696021	switch	1
6	3550-02	3130253072	cable holder	1
7	3550-02	3706973034	cable clip	1
12	3550-02	4970337003	motor capacitor	1
22	3550-02	3130253073	switch guard	1
23	3550-02	3130253074	housing	1
25	3550-02	5610361057	screw	4
26	3550-02	5610361058	serew M5X32	4
27	3550-02	5690438020	sealing	1
28	3550-02	5610361059	screw	2
29	3550-02	5610361069	screw	2
30	3550-02	5690438018	sealing rubber	1
31	3550-02	3130253075	knob	2
32	3550-02	3706973035	pole sleeve	1
33	3550-02	3706973036	table	1
37	3550-02	5610361060	screw	2
38	3550-02	3706973037	pressure pad	1
41	3550-02	5610361061	screw	1
45	3550-02	3706973038	sealing cover	1
46	3550-02	3580000005	inner flange	1
47	3550-02	3580000006	outer flange	1
48	3550-02	5630352012	flange nut M12	1
49	3550-02	5610361062	screw	1
50	3550-02	5410106001	foot cover	4
51	3550-02	5610361063	screw	6
53	3550-02	3706973039	supporting frame	1
54	3550-02	3706973040	connector	2
55	3550-02	3660753019	spring leaf	1
56	3550-02	5610361064	screw	1
57	3550-02	3706973041	supporting frame	1
58	3550-02	5650710029	toothed lock washer	2
59	3550-02	5690438019	rubber ring	1
86	3550-02	5610361067	screw	2
94	3550-02	5610361068	screw	2
95	3550-02	3706973042	sliding plate	1
96	3550-02	3553285022	slidng shaft	2
97	3550-02	5610361065	screw	1
106	3550-02	5610361066	screw	1
652	3550-02	5680258006	wrench	1
802	3550-02	2720107001	motor	1
805	3550-02	4810237015	cable	1
822	3550-02	2826622068	table 45° BEVLEL	1
823	3550-02	2826622069	upper guard	1
824	3550-02	2826622070	guide assembly	1
825	3550-02	2826622071	miter guage	1
826	3550-02	2826622072	lower guard	1