

Compound Mitre Saw - F 012 382 100 - 3821



Item	Part Number	Description	Illustration	Price	Quantity	Price Group
1	2 610 005 673	Pan head screw	1	\$ 0.65	4	10
2	2 610 005 674	Spring Lock Washer	1	\$ 0.65	18	10
7	2 610 011 575	Ball Bearing	1	\$ 4.10	1	18
11	2 610 005 675	Cap	1	\$ 0.65	1	10
12	2 610 005 676	Pin	1	\$ 0.65	1	10
13	2 610 005 677	Spring	1	\$ 0.65	1	10
14	2 610 005 678	Bearing	1	\$ 4.10	2	18
15	2 610 005 679	Gear Housing	1	\$ 15.25	1	29
16	2 610 005 680	Bearing	1	\$ 4.10	1	18
17	2 610 005 681	Baffle	1	\$ 0.65	1	10
18	2 610 027 671	Armature 120V	1	-,-	1	-
19	2 610 005 683	Pan head screw	1	\$ 0.65	2	10
20	2 610 005 684	Plain Washer	1	\$ 0.65	1	10
21	2 610 005 685	Rubber Ring	1	\$ 0.65	1	10
22	2 610 027 672	Stator 120V	1	-,-	1	-
23	2 610 005 687	Motor Housing	1	\$ 11.75	1	26
24	2 610 005 688	Plain Washer	1	\$ 0.65	4	10
25	2 610 005 689	Pan head screw	1	\$ 0.65	4	10
26	2 610 027 673	Nameplate	1	-,-	1	-
28	2 610 005 691	Brush Holder	1	\$ 0.65	2	10
29	2 610 005 692	Spring	1	\$ 0.65	2	10
30	2 610 005 693	Pan head screw	1	\$ 0.65	4	10
31	2 610 005 694	Cover	1	\$ 2.77	1	16
32	2 610 005 695	Pan head screw	1	\$ 0.65	5	10
33	2 610 005 696	Pan head screw	1	\$ 0.65	5	10
34	2 610 027 674	Handle Cover	1	-,-	1	-
35	2 610 005 698	Pan head screw	1	\$ 0.65	5	10
36	2 610 005 699	Switch Button	1	\$ 0.65	1	10
37	2 610 005 700	Switch	1	\$ 6.25	1	21
38	2 610 027 675	Cord guard	1	-,-	1	-
39	2 610 027 676	Cord	1	-,-	1	-
40	2 610 005 703	Switch	1	\$ 0.65	1	10

Item	Part Number	Description	Illustration	Price	Quantity	Price Group
41	2 610 005 704	Cap	1	\$ 0.65	1	10
42	2 610 005 705	Grommet	1	\$ 0.65	1	10
43	2 610 027 677	Handle Cover	1	-,-	1	-
44	2 610 005 707	Plain Washer	1	\$ 0.65	14	10
45	2 610 005 708	Spring Lock Washer	1	\$ 0.65	16	10
46	2 610 005 709	Pan head screw	1	\$ 0.65	4	10
47	2 610 005 710	Carrying Handle	1	\$ 4.70	1	19
48	2 610 005 711	Pan head screw	1	\$ 0.65	1	10
49	2 610 005 712	Post	1	\$ 0.65	1	10
50	2 610 005 713	Transformer	1	\$ 10.60	1	25
51	2 610 005 714	Trigger	1	\$ 1.07	1	11
52	2 610 005 715	Linkage	1	\$ 0.65	1	10
53	2 610 027 678	Seal	1	-,-	1	-
54	2 610 005 717	Spring	1	\$ 0.65	1	10
55	2 610 005 718	Switch Button	1	\$ 0.65	1	10
57	2 610 005 720	Protection	1	\$ 0.65	1	10
58	2 610 005 721	Toothed lock washer	1	\$ 0.65	1	10
59	2 610 006 900	Pan head screw	1	\$ 0.65	1	10
66	2 610 005 725	Bumper	1	\$ 0.65	1	10
68	2 610 005 727	Pan head screw	1	\$ 0.65	5	10
70	2 610 005 729	Bolt	1	\$ 1.60	1	13
71	2 610 005 730	Flange	1	\$ 2.77	1	16
73	2 610 005 731	Flange	1	\$ 2.77	1	16
74	2 610 005 732	Bolt	1	\$ 0.65	4	10
75	2 610 005 733	Protection	1	\$ 36.60	1	37
76	2 610 005 734	Shaft	1	\$ 2.42	1	15
77	2 610 025 902	Spring	1	-,-	1	-
78	2 610 025 901	duct connection	1	-,-	1	-
79	2 610 005 737	Spacer	1	\$ 1.07	1	11
80	2 610 025 907	Turntable	2	-,-	1	-
82	2 610 005 740	Plate	1	\$ 1.90	1	14
83	2 610 005 739	Pan head screw	1	\$ 0.65	2	10
84	2 610 005 742	Sleeve	1	\$ 0.65	1	10
85	2 610 027 679	Rod	1	-,-	1	-
86	2 610 027 680	Cap	1	-,-	1	-
87	2 610 027 906	Bushing	1	-,-	1	-
88	2 610 005 745	Set screw	1	\$ 0.65	1	10
90	2 610 005 747	Pin	1	\$ 0.65	1	10
91	2 610 005 748	Trunnion	1	\$ 20.95	1	32
92	2 610 005 749	Spring	1	\$ 0.65	1	10
93	2 610 005 750	Pin	1	\$ 1.07	1	11
94	2 610 005 751	Self-locking nut	1	\$ 0.65	2	10
95	2 610 027 681	Handle	1	-,-	1	-
96	2 610 005 754	Plain Washer	1	\$ 0.65	1	10
97	2 610 005 755	Scale	1	\$ 0.65	1	10
98	2 610 005 756	Pointer	2	\$ 0.65	1	10
102	2 610 005 757	Bracket	2	\$ 1.07	1	11
104	2 610 005 758	Pointer	2	\$ 0.65	1	10
105	2 610 027 682	Stud	2	-,-	1	-
106	2 610 005 760	Stud	2	\$ 0.65	1	10

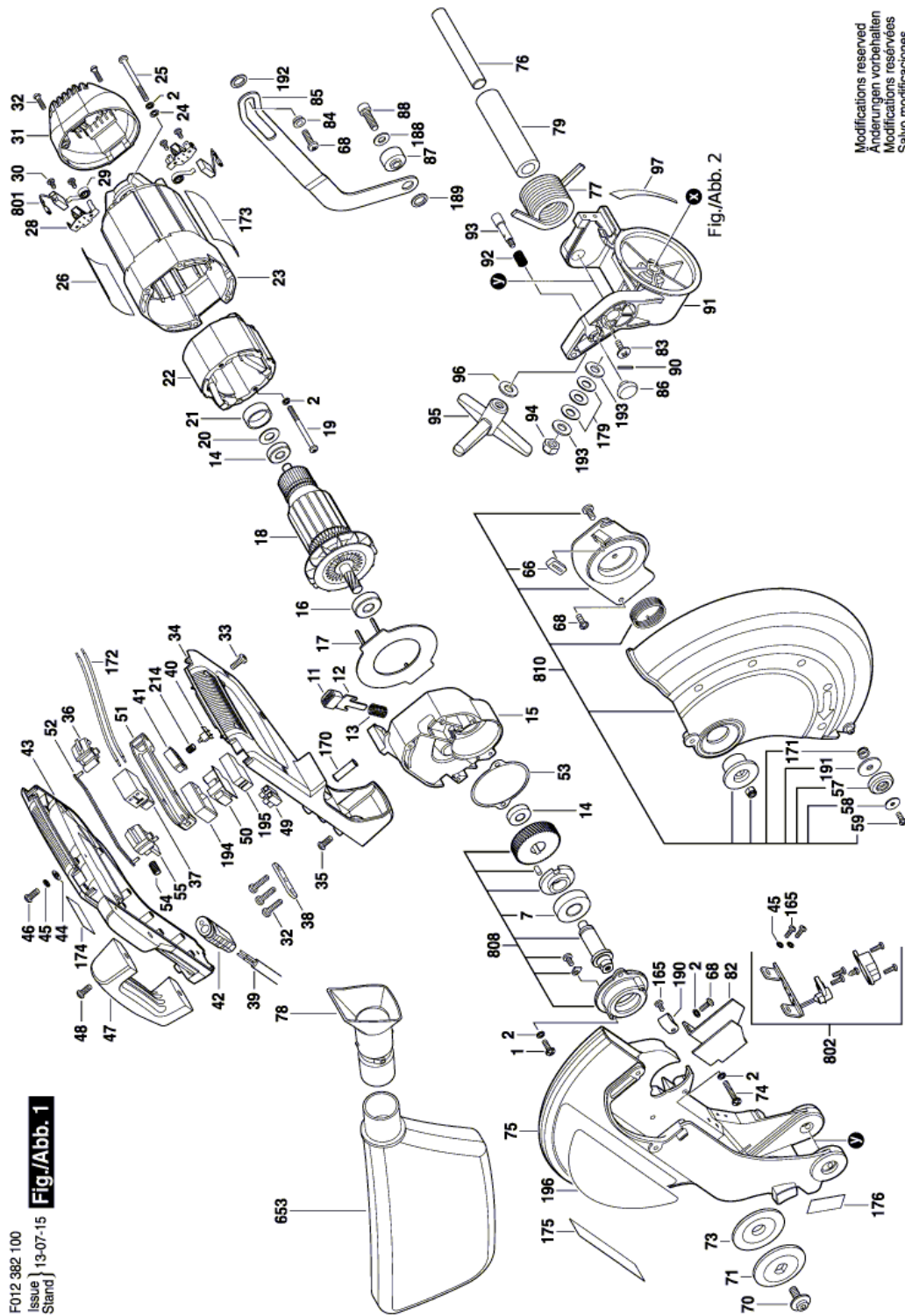
Item	Part Number	Description	Illustration	Price	Quantity	Price Group
107	2 610 005 761	Nut	2	\$ 0.65	2	10
108	2 610 005 762	Bolt	2	\$ 0.65	2	10
109	2 610 005 763	Pan head screw	2	\$ 0.65	8	10
110	2 610 005 764	Insert	2	\$ 2.42	1	15
117	2 610 025 908	Self-locking nut	2	-,-	1	-
118	2 610 025 915	Plain Washer	2	-,-	1	-
119	2 610 025 905	Mitre Fence	2	-,-	1	-
120	2 610 025 903	Guide	2	-,-	1	-
121	2 610 005 781	Nut	2	\$ 1.60	1	13
122	2 610 005 783	Spring Washer	2	\$ 0.65	1	10
123	2 610 005 784	Set screw	2	\$ 0.65	1	10
124	2 610 006 898	Socket Single-Squ.Wrench	2	\$ 0.65	1	10
125	2 610 006 899	Holder	2	\$ 0.65	1	10
126	2 610 025 912	Knob	2	-,-	1	-
127	2 610 005 772	Set screw	2	\$ 0.65	4	10
128	2 610 005 773	Spring Washer	2	\$ 0.65	4	10
131	2 610 025 906	Knife Guard	2	-,-	1	-
132	2 610 005 780	Pointer	2	\$ 1.07	1	11
165	2 610 005 807	Pan head screw	1	\$ 0.65	3	10
170	2 610 004 750	Protector	1	\$ 0.65	1	10
171	2 610 006 901	Blind Rivet	1	\$ 0.65	1	10
172	2 610 006 902	Wire	1	\$ 4.10	2	18
173	2 610 025 922	Warning Label	1	-,-	1	-
174	2 610 025 923	Warning Label	1	-,-	1	-
175	2 610 025 924	Warning Label	1	-,-	1	-
176	2 610 025 925	Warning Label	1	-,-	1	-
177	2 610 025 926	Warning Label	2	-,-	1	-
178	2 610 025 937	Warning Label	2	-,-	1	-
179	2 610 011 324	Spring Washer	1	\$ 0.65	5	10
188	2 610 011 331	Washer	1	\$ 0.65	1	10
189	2 610 027 908	Corrugated Washer	1	-,-	1	-
190	2 610 027 684	Clip	1	-,-	1	-
191	2 610 027 685	Washer	1	-,-	1	-
192	2 610 027 686	Washer	1	-,-	1	-
193	2 610 027 687	Washer	1	-,-	1	-
194	2 610 012 436	Cover	1	\$ 2.42	1	15
195	2 610 012 435	Cover	1	\$ 2.42	1	15
196	2 610 027 688	Label	1	-,-	1	-
204	2 610 025 928	Screw	2	-,-	1	-
206	2 610 025 930	Screw	2	-,-	2	-
207	2 610 025 931	Washer	2	-,-	2	-
208	2 610 025 932	Knob	2	-,-	2	-
209	2 610 025 933	Nut	2	-,-	2	-
210	2 610 025 934	Spring	2	-,-	2	-
211	2 610 025 935	Clamp	2	-,-	2	-
212	2 610 025 936	Screw	2	-,-	2	-
213	2 610 027 692	Label	2	-,-	2	-
214	2 610 025 938	Spring	1	-,-	1	-
215	2 610 025 939	Bushing	2	-,-	2	-
216	2 610 027 693	Washer	2	-,-	2	-

Item	Part Number	Description	Illustration	Price	Quantity	Price Group
217	2 610 025 916	Spring Washer	2	-,-	2	-
218	2 610 027 694	Screw	2	-,-	2	-
235	2 610 027 695	Knob	2	-,-	2	-
236	2 610 025 913	Label	2	-,-	1	-
237	2 610 025 920	Block	2	-,-	1	-
238	2 610 027 696	Washer	2	-,-	2	-
239	2 610 027 697	Spring Washer	2	-,-	2	-
240	2 610 027 698	Screw	2	-,-	2	-
241	2 610 025 919	Bolt	2	-,-	1	-
242	2 610 025 921	Lever Foot	2	-,-	4	-
243	2 610 025 914	Block	2	-,-	1	-
653	2 610 005 719	Dust Bag	1	\$ 5.45	1	20
654	2 610 005 813	Knob	2	\$ 0.65	3	10
655	2 610 005 812	Clamp	2	\$ 11.75	1	26
656	2 610 026 801	Extension Stand	2	-,-	1	-
657	2 610 005 800	Stop Block	2	\$ 4.10	1	18
658	2 610 005 787	Extension Shaft	2	\$ 10.60	2	25
659	2 610 004 751	Knob	2	\$ 0.65	1	10
801	2 610 005 811	Brush	1	\$ 5.45	1	20
802	2 610 027 699	Laser	1	-,-	1	-
806	2 610 027 703	Handle	2	-,-	1	-
807	2 610 027 704	Base	2	-,-	1	-
808	2 610 005 809	Gear	1	\$ 20.95	1	32
809	2 610 027 705	Lever	2	-,-	1	-
810	2 610 005 810	Knife Guard	1	\$ 29.05	1	35

Product information Compound Mitre Saw - F 012 382 100 - 3821

Product No	F 012 382 100
Description	266,892; Compound Mitre Saw
DIN-Text	
ID_Text_Ext	0
Trading_Description	3821
Voltage_1	120 V
ID_Country_Product	USA

Illustration - Type E

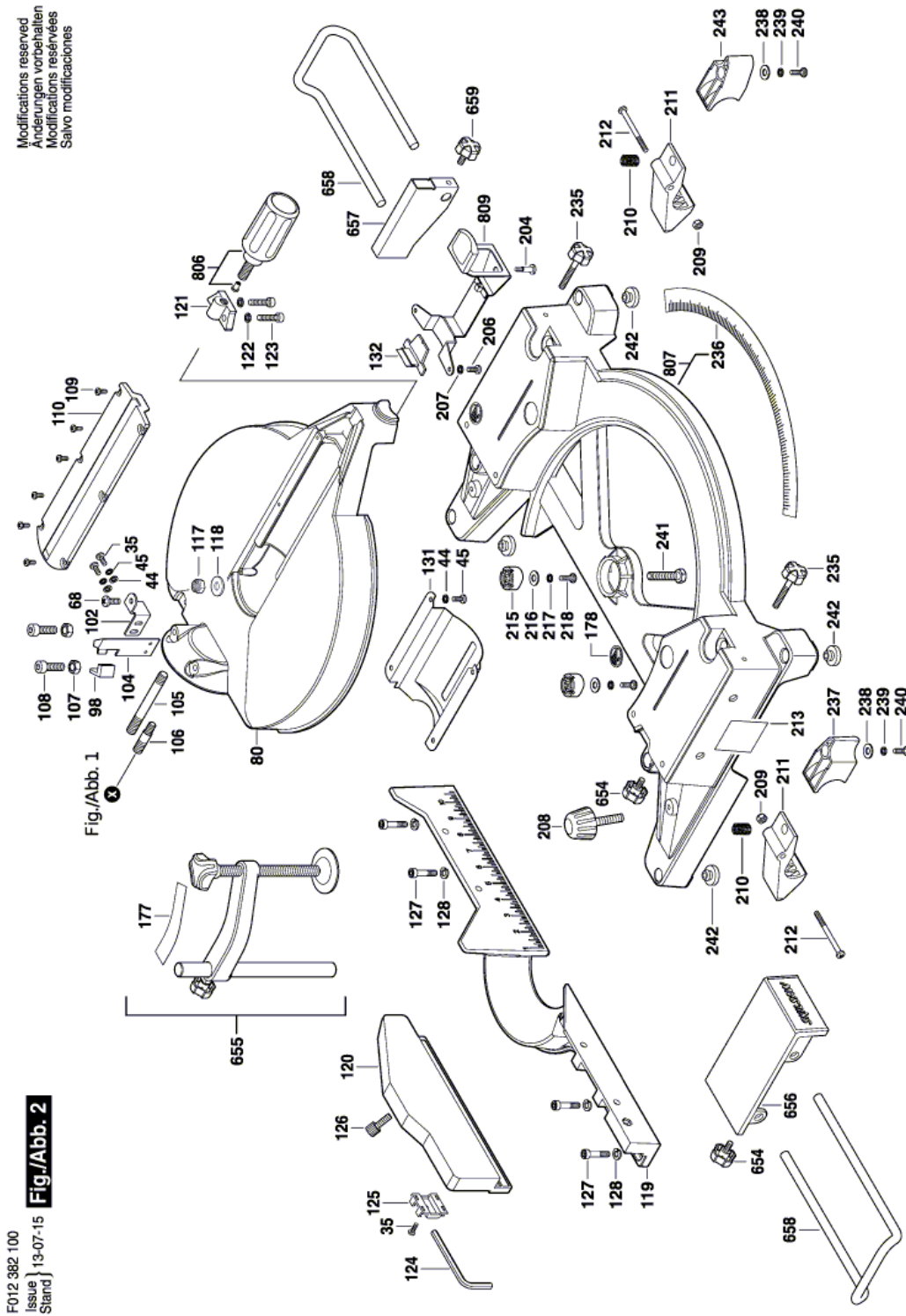


F012 382 100
Issue } 13-07-15
Stand } **Fig./Abb. 1**

Fig./Abb. 2

Modifications reserved
Änderungen vorbehalten
Modificaciones reservadas
Salvo modificaciones

Illustration - Type E



Modifications reserved
 Änderungen vorbehalten
 Modifications réservées
 Salvo modificaciones

F012 382 100
 Issue } 13-07-15
 Stand }

Fig./Abb. 2

Information subject to change without further notice.