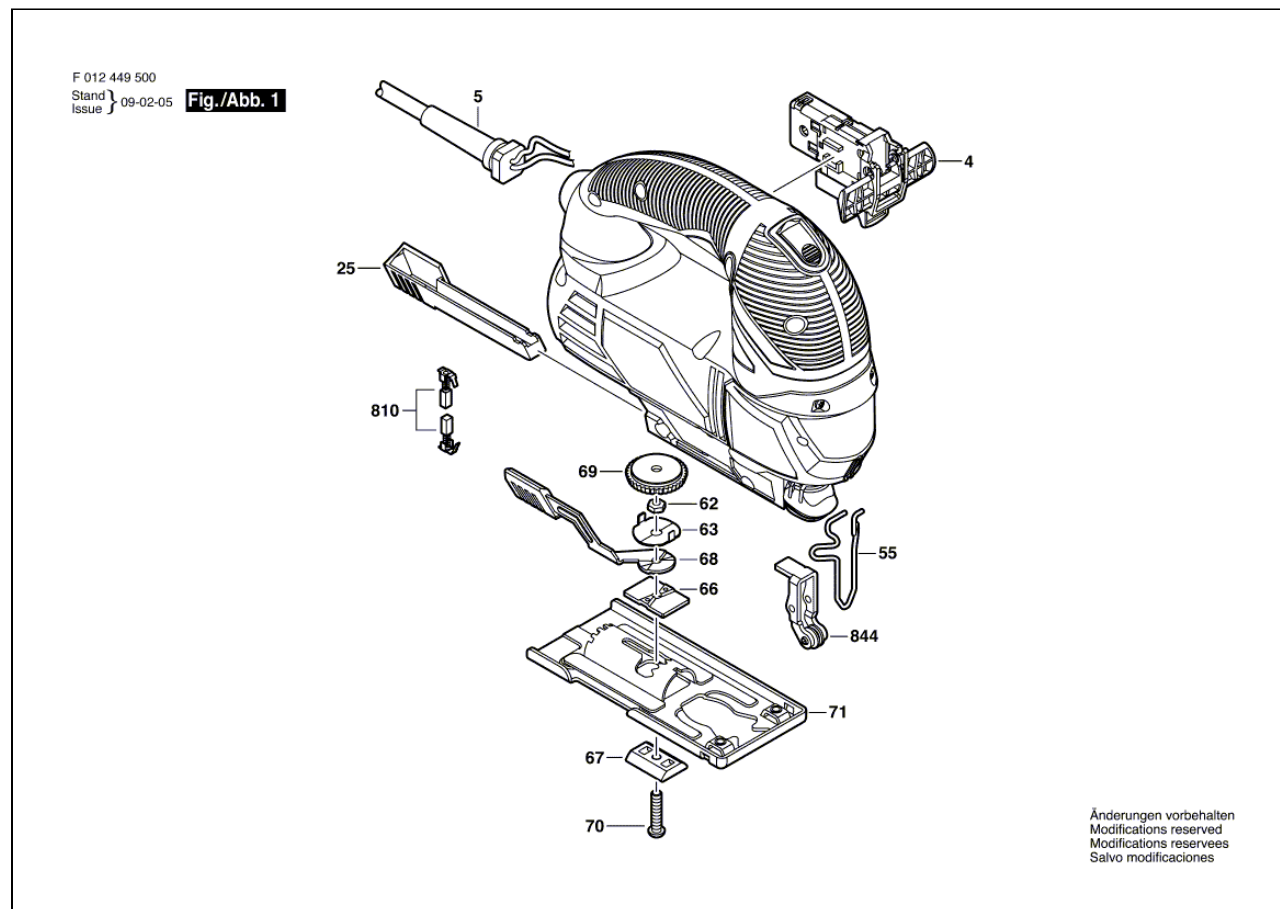


Jig Saw
F 012 449 500 4495

09.03.2011 18:24:50



Item	Quantity	Order No.	Designation	Price group	Page
4	1	1 619 X02 720	Electronic Speed Switch	22	1
5	1	1 619 X03 395	Power supply cord	19	1
25	1	1 619 X02 726	Cover	11	1
55	1	1 619 X02 731	Protection	11	1
62	1	1 619 X02 733	Nut	10	1
63	1	1 619 X02 734	Spring	10	1
66	1	1 619 X02 736	Plate	11	1
67	1	1 619 X02 737	Lock	11	1
68	1	1 619 X02 738	Tensioning Lever	12	1
69	1	1 619 X02 739	Thumbwheel	10	1
70	1	1 619 X02 740	Bolt	10	1
71	1	1 619 X02 728	Plate	18	1
810	1	1 619 X03 193	Carbon-Brush Set	18	1
844	1	1 619 X00 923	Roller Guide	18	1