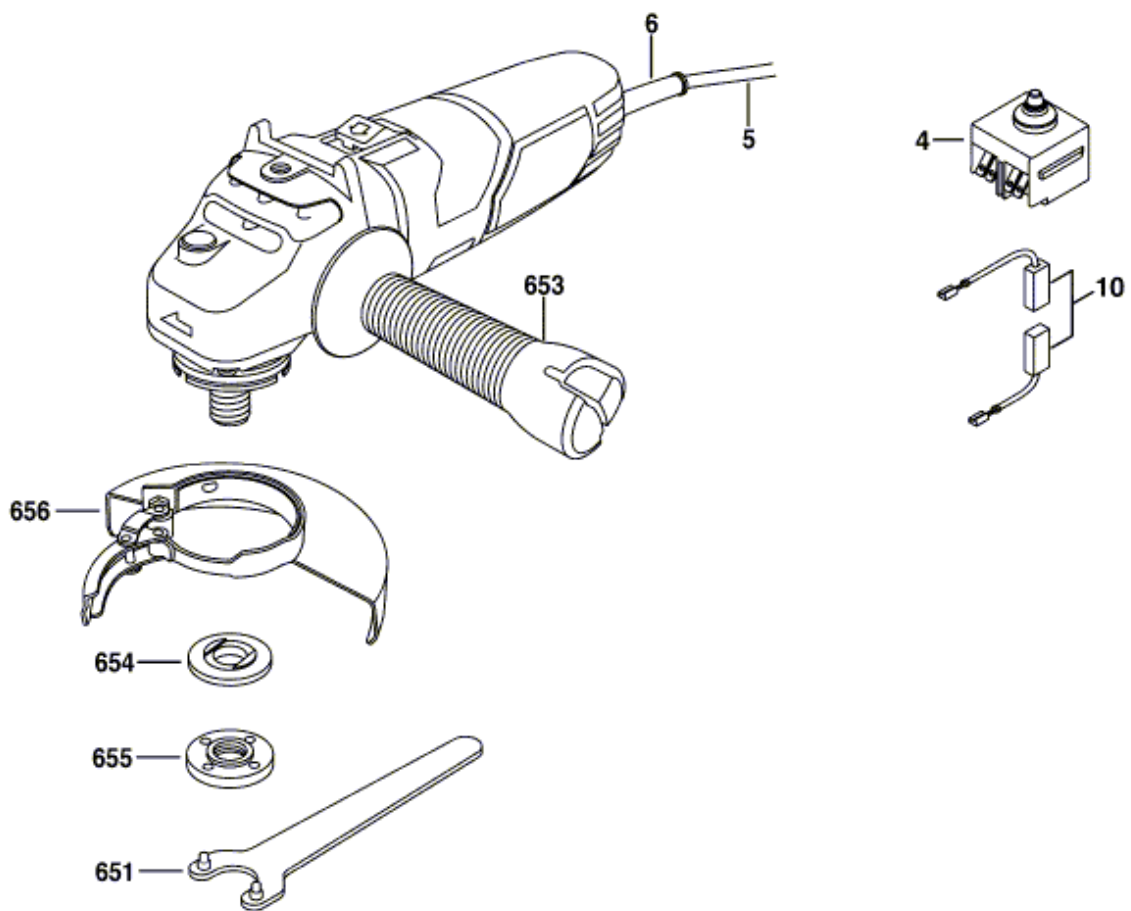




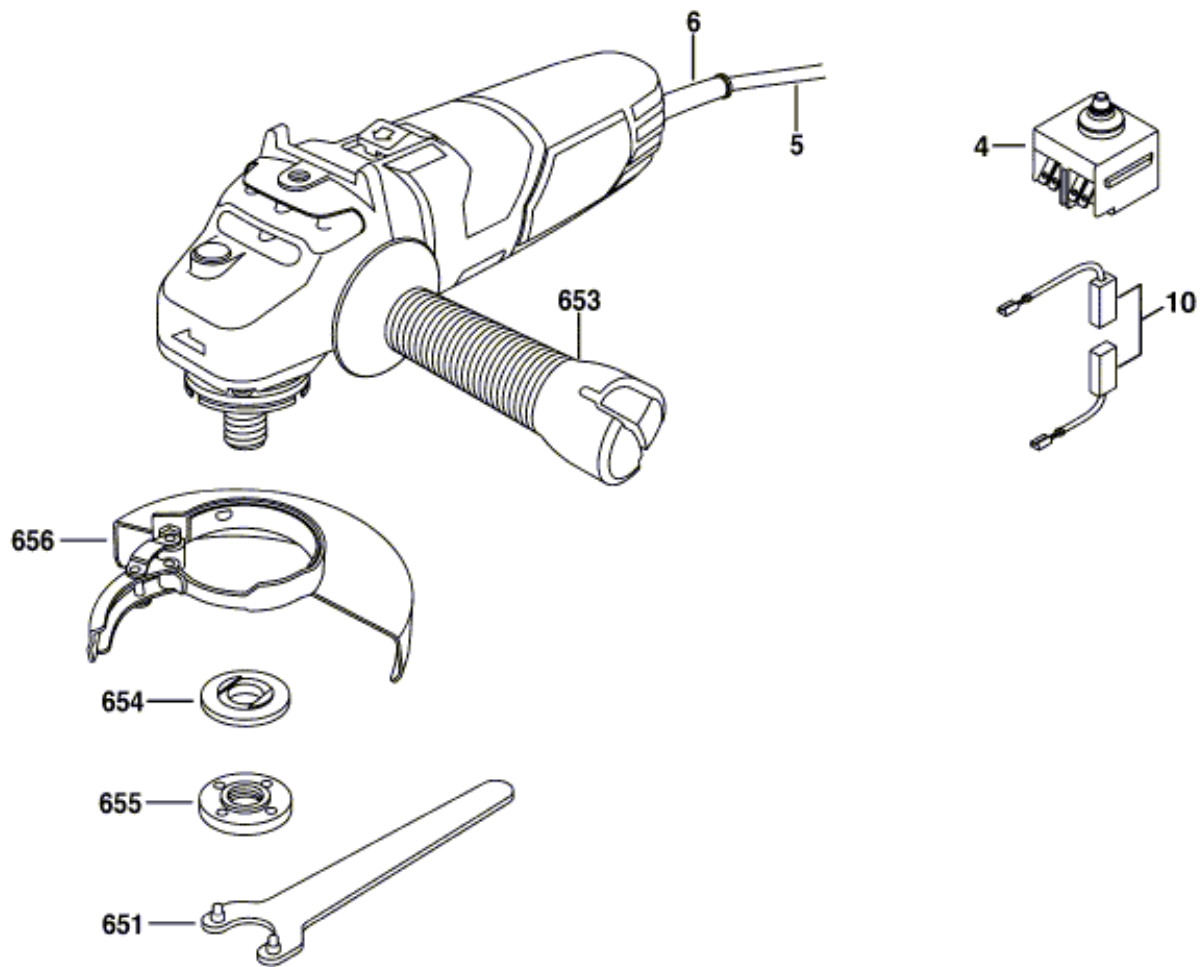
Product Description: Angle Grinder
Model Number: 9295-01
Body Number: 0580224001
Version: A
Issue Date: 2010/02/23



No.	Product Model#	Part Number	Description	Qty
4	9295-01	4870696015	On-off switch	1
5	9295-01	4810237012	Power supply cord	1
6	9295-01	3130253055	Cord guard	1
10	9295-01	4960384008	Carbon-brush set	2
651	9295-01	5680258002	Pin-type face-Wrench	1
653	9295-01	3403084005	Auxiliary handle	1
654	9295-01	3553285020	Flange	1
655	9295-01	3553285021	Flange	1
656	9295-01	2826622054	Safety guard	1



Product Description: Angle Grinder
Model Number: 9295-02
Body Number: 0080227001
Version: A
Issue Date: 2010/02/23



No.	Product Model#	Part Number	Description	Qty
4	9295-02	4870696015	On-off switch	1
5	9295-02	4810237012	Power supply cord	1
6	9295-02	3130253055	Cord guard	1
10	9295-02	4960384008	Carbon-brush set	2
651	9295-02	5680258002	Pin-type face-Wrench	1
653	9295-02	3403084005	Auxiliary handle	1
654	9295-02	3553285020	Flange	1
655	9295-02	3553285021	Flange	1
656	9295-02	2826622054	Safety guard	1