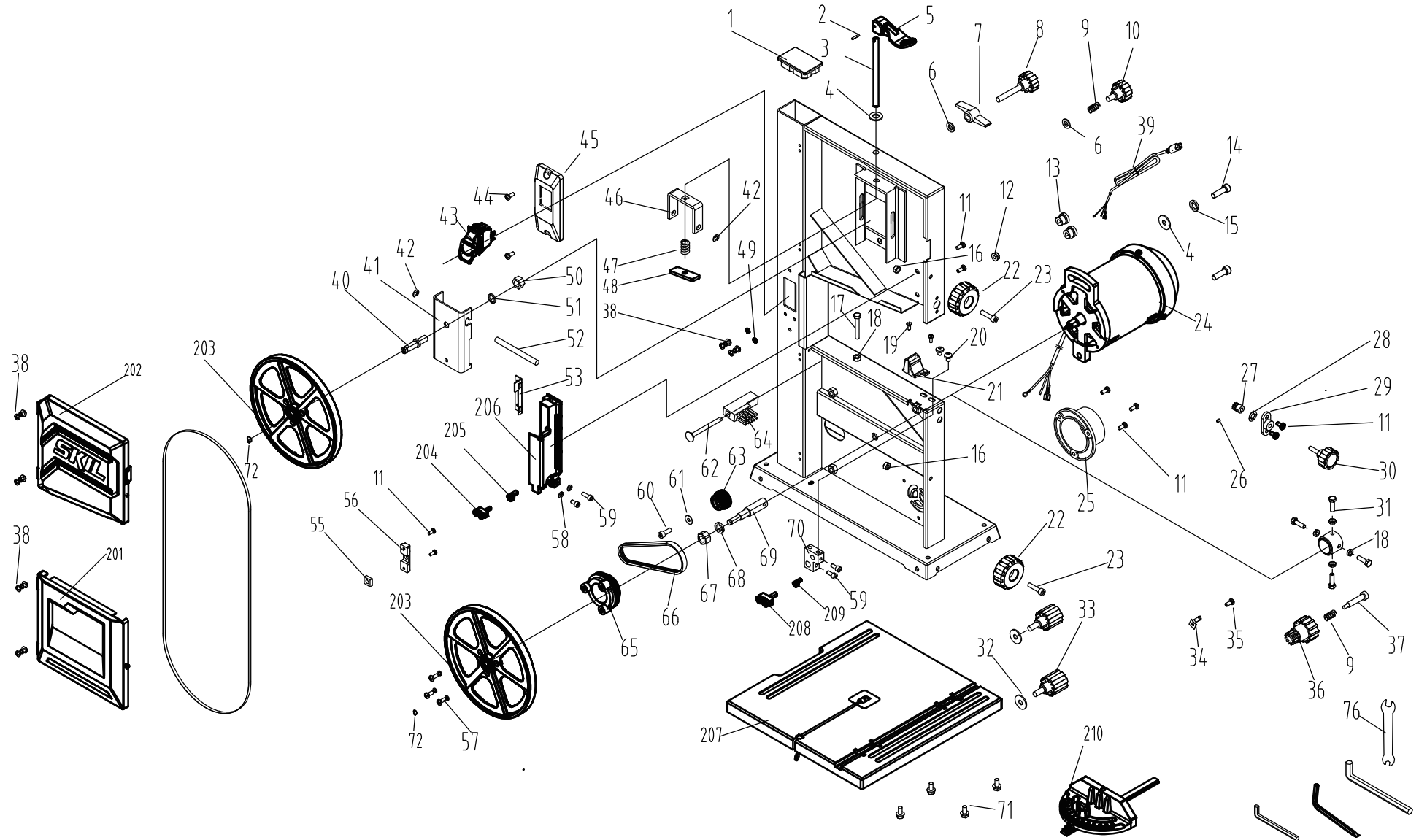




Product Description: Band Saw
Model Number: BW9501-00
Body Number: F950005001
Version: A
Issue Date: 2022/06/07



No.	Product Model#	Part Number	Description	Qty
1	BW9501-00	3134012001	Plug	1
2	BW9501-00	5670691001	Elastic Cylindrical Pin	1
3	BW9501-00	3555971001	Tension Rod	1
4	BW9501-00	5650980001	Large Thick Flat Washer	2
5	BW9501-00	3134011001	Quickly Tighten Handle	1
6	BW9501-00	5650979001	Flat Washer	2
7	BW9501-00	3134049001	Airfoil Lock Nut M8	1
8	BW9501-00	3134008001	Saw Wheel Adjusting Handle	1
9	BW9501-00	3667835001	Locking Spring	2
10	BW9501-00	3134050001	Guide frame Locking Handle	1
11	BW9501-00	5610950001	Phillips Screw	9
12	BW9501-00	5630490001	Hex Nut	1
13	BW9501-00	3134021001	6p4 Line Card	2
14	BW9501-00	5610949001	Hex Cylinder Screw	2
15	BW9501-00	5650982001	Standard Spring Washer	1
16	BW9501-00	5630491001	Non-metallic Nut	2
17	BW9501-00	5640495001	Hex Bolt	1
18	BW9501-00	5630489001	Hex Nut	5
19	BW9501-00	5610954001	Phillips Screw + Spring Pad Assy	2
20	BW9501-00	5611004001	Philips screw	2
21	BW9501-00	3134013001	Guard underneath the Saw Blade	1
22	BW9501-00	3134051001	Eccentric Locking Handle	2
23	BW9501-00	5610948001	Hex Cylinder Screw	2
24	BW9501-00	2710172001	Motor	1
25	BW9501-00	3134014001	Dusting Port	1
26	BW9501-00	5610947001	Hex Socket Screw	1
27	BW9501-00	3570365001	Guide Frame Adjusting Gear	1
28	BW9501-00	5650981001	Corrugated Spring Washer	1
29	BW9501-00	3522119001	Adjusting Handle Holder	1
30	BW9501-00	3134053001	Guide Frame Adjusting Handle	1
31	BW9501-00	5640496001	Hex Bolt	4
32	BW9501-00	5650978001	Big Flat Washer	2
33	BW9501-00	3134052001	Table Locking Handle	2
34	BW9501-00	3708752001	Table Pointer	1
35	BW9501-00	5610946001	Hex Cylinder Screw	1
36	BW9501-00	3134060001	Gear Handle	1
37	BW9501-00	3555968001	Handle Shaft	1
38	BW9501-00	5610953001	Phillips Screw + Spring Pad + Washer Assy	6
39	BW9501-00	4810407001	Power Cord	1
40	BW9501-00	3555969001	Upper Wheel Axle	1
41	BW9501-00	3708764001	Upper Wheel Seat	1
42	BW9501-00	5660377001	Open Ring	2
43	BW9501-00	4870955001	Switch	1
44	BW9501-00	5611008001	Phillips Screw	2
45	BW9501-00	3134015001	Switch Board	1

No.	Product Model#	Part Number	Description	Qty
46	BW9501-00	3708765001	U-shaped Frame	1
47	BW9501-00	3667843001	Tension Spring	1
48	BW9501-00	3708763001	Tension Pad	1
49	BW9501-00	5650975001	External locking washer	2
50	BW9501-00	5630488001	Hex Nut	1
51	BW9501-00	5650984001	Standard Spring Washer	1
52	BW9501-00	3555967001	Connecting Shaft	1
53	BW9501-00	3708760001	Guide Plate	1
55	BW9501-00	3522124001	Lock Pad	1
56	BW9501-00	3522120001	Guide Seat	1
57	BW9501-00	5610952001	Phillips Screw + Spring Washer Assy	3
58	BW9501-00	5650977001	Flat Washer	2
59	BW9501-00	5610945001	Hex Cylinder Screw	6
60	BW9501-00	5610951001	Hex Cylinder Screw	1
61	BW9501-00	5650976001	Big Washer	1
62	BW9501-00	5640498001	Bolt	1
63	BW9501-00	3570370001	Motor Wheel	1
64	BW9501-00	3800219001	Brush Assy	1
65	BW9501-00	3570368001	Driven Pulley	1
66	BW9501-00	3800216001	V Belt	1
67	BW9501-00	5630487001	Hex Nut	1
68	BW9501-00	5650983001	Standard Spring Washer	1
69	BW9501-00	3555970001	Lower Wheel Axle	1
70	BW9501-00	3522118001	Lower Conductor Seat	1
71	BW9501-00	5640497001	Hex Bolt	4
72	BW9501-00	5660378001	Shaft With Elastic Retainer	2
76	BW9501-00	5680354001	Fork Wrench	1
201	BW9501-00	2829256001	Lower Door Assy	1
202	BW9501-00	2829261001	Upper Door Assy	1
203	BW9501-00	3570363001	Pulley Assy	2
204	BW9501-00	2829260001	Upper Conductor Assy	1
205	BW9501-00	2829259001	Upper Support Bearing Assy	1
206	BW9501-00	2829258001	Upper Guide Slider Assy	1
207	BW9501-00	2829263001	Work Table Assy	1
208	BW9501-00	2829257001	Lower Conductor Assy	1
209	BW9501-00	2829288001	Lower Support Bearing Assy	1
210	BW9501-00	2829287001	Miter Gauge Assy	1