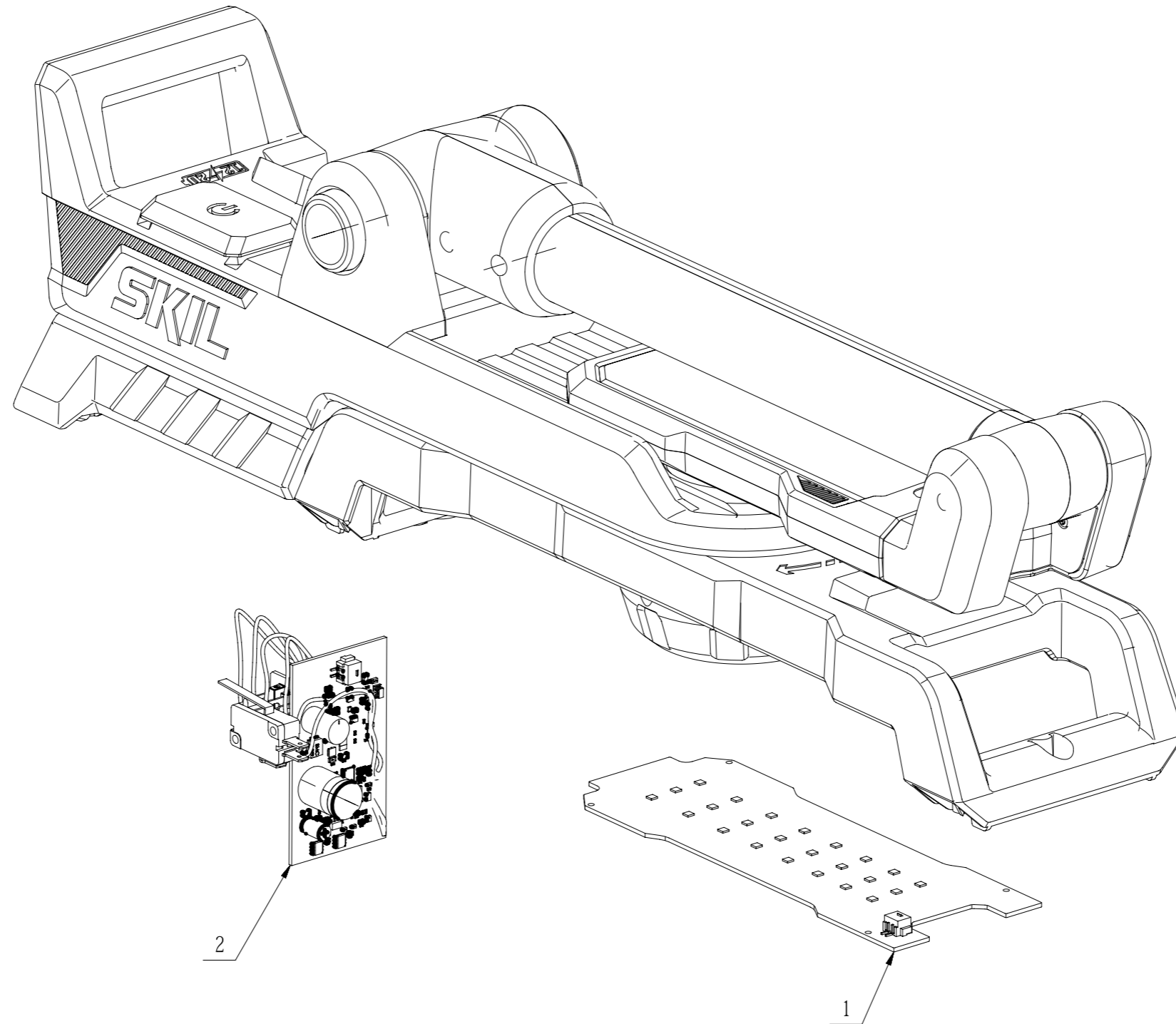




Product Description: Tower Light
Model Number: LH2500D-00
Service Item Number: FC10094001S01
Version: A
Issue Date: 2023/1/6



No.	Product Model#	Part Number	Description	Qty
1	LH2500D-00	2831596001	LED Electric Assembly	1
2	LH2500D-00	2831514001	Main Electric Assembly	1