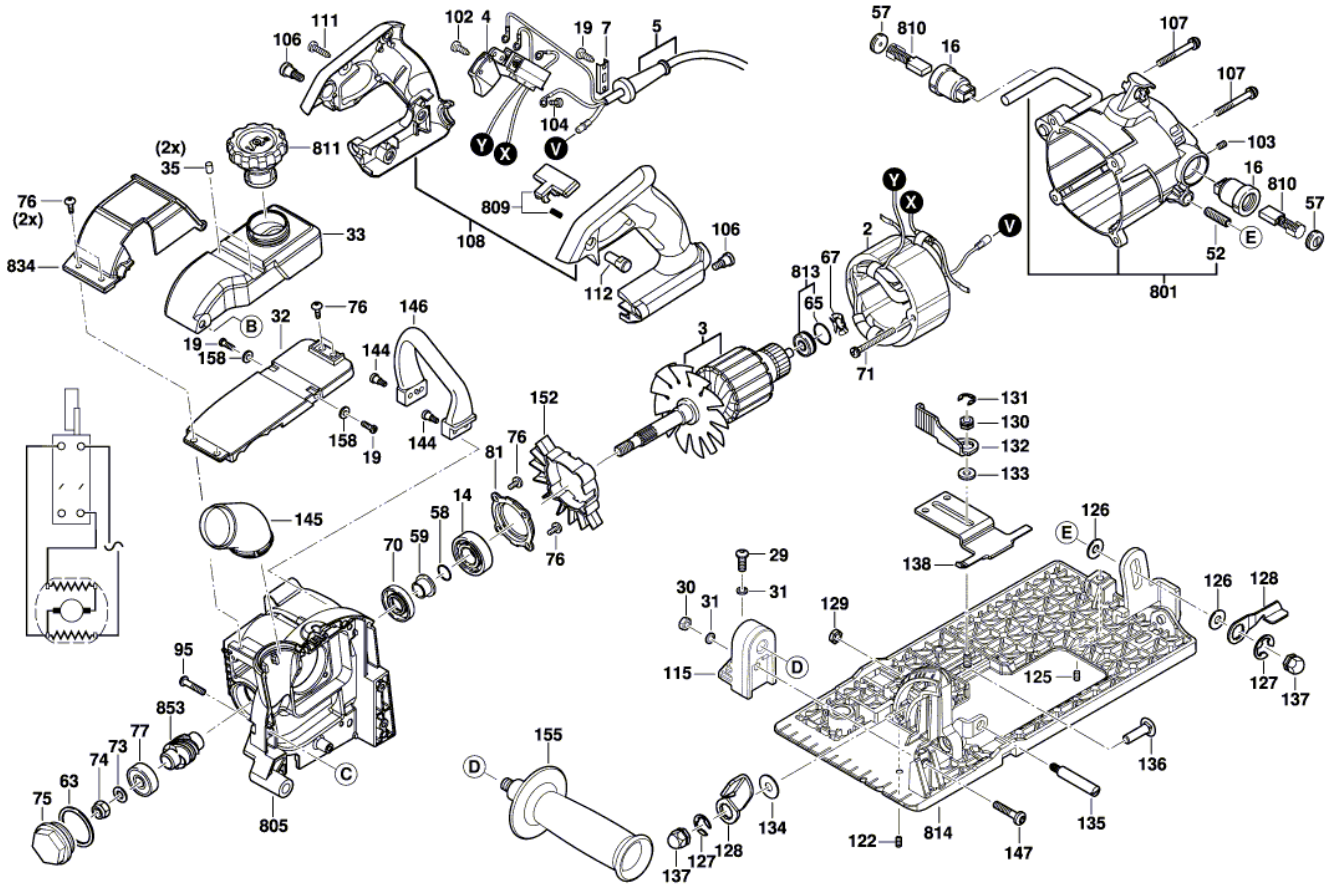




Product Description: Chain Beam Saw
Model Number: SPT55-11
Body Number: 0610232001
Version: A
Issue Date: 2020/05/14





Product Description: Chain Beam Saw
Model Number: SPT55-11
Body Number: 0610232001
Version: A
Issue Date: 2020/05/27

