

## Circular hand saw - F 012 791 000 - SPT79

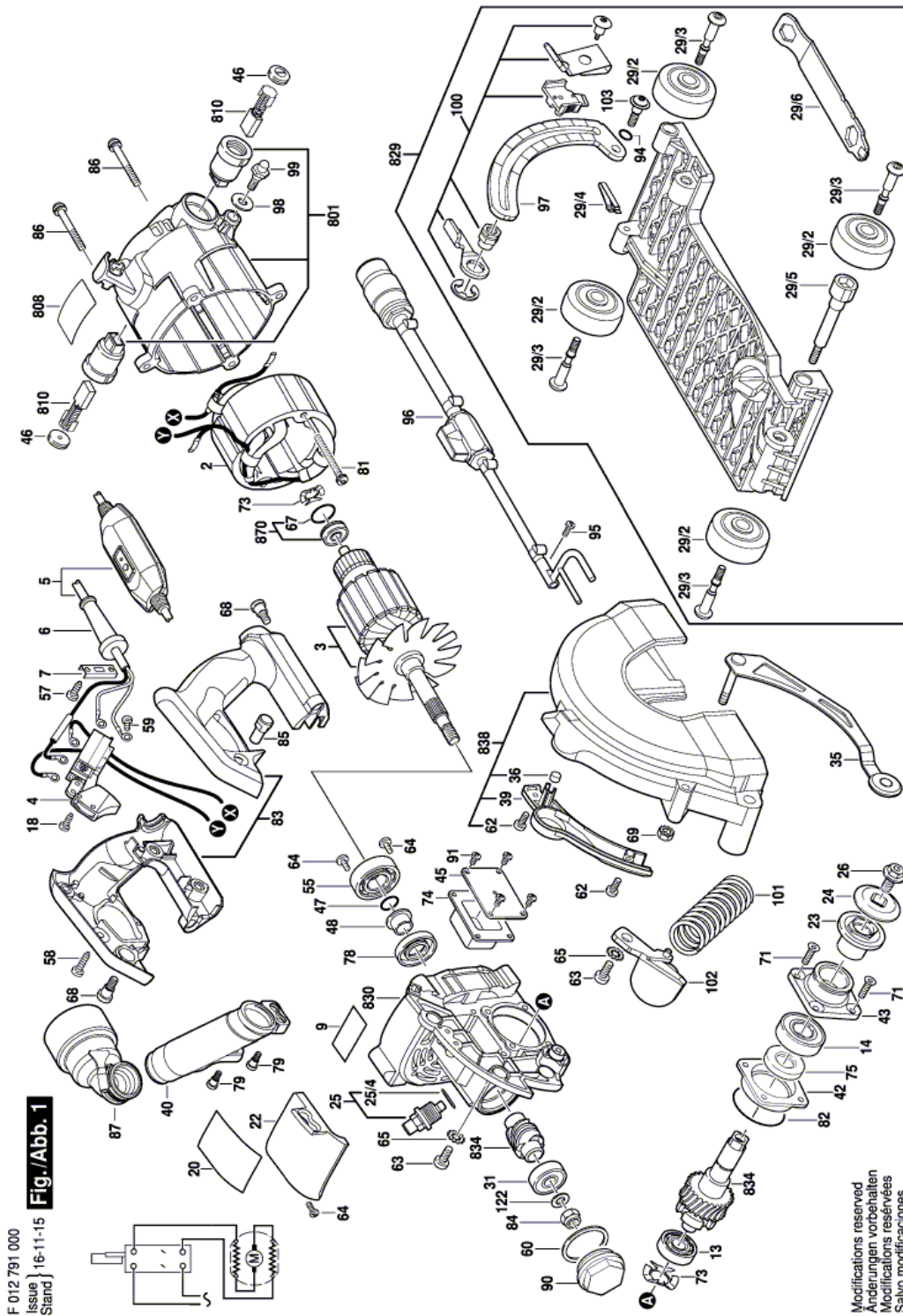
[www.powertools-aftersaleservice.com](http://www.powertools-aftersaleservice.com)



Item	Part Number	Description	Illustration	Price	Quantity	Price Group
	2 1 619 P12 372	Field		1 \$ 42.00	1	38
	3 1 619 P12 636	Armature		1 \$ 78.00	1	44
	4 1 619 X09 603	Switch		1 \$ 11.12	1	25
	5 1 619 X09 604	Power supply cord		1 \$ 34.00	1	36
	6 1 619 X08 308	Grommet		1 \$ 2.94	1	16
	7 1 619 X04 671	Cable Clip		1 \$ 0.68	1	10
	9 1 619 X09 806	Manufacturer's nameplate		1 \$ 0.68	1	10
	13 2 610 017 348	groove ball bearing		1 \$ 2.01	1	14
	14 2 610 024 748	Ball Bearing		1 \$ 2.58	1	15
	18 2 610 901 971	Screw		1 \$ 0.68	1	10
	20 1 619 X09 606	Warning Plate		1 \$ 0.68	1	10
	22 1 619 X09 219	Hood		1 \$ 1.12	1	11
	23 1 619 X09 607	Washer		1 \$ 2.01	1	14
	24 1 619 X09 608	Washer		1 \$ 3.73	1	17
	25 1 619 X04 684	Oil Drain Plug		1 \$ 5.72	1	20
	25/4 1 616 B10 364	O-Ring		1 \$ 0.68	1	10
	26 1 619 X09 609	Collar bolt		1 \$ 1.12	1	11
	29/2 1 619 X09 634	Wheel		1 \$ 4.31	4	18
	29/3 1 619 X09 635	Bolt		1 \$ 1.12	4	11
	29/4 1 619 X09 704	Spring		1 \$ 0.68	1	10
	29/5 1 619 X09 620	Pivot Pin		1 \$ 4.31	1	18
	29/6 1 619 X09 697	Wrench Socket		1 \$ 2.58	1	15
	31 2 610 017 875	Ball Bearing		1 \$ 2.94	1	16
	35 1 619 X09 613	Pointer		1 \$ 3.73	1	17
	36 1 619 X09 614	Magnet		1 \$ 1.12	1	11
	39 1 619 X09 964	Dust Cap		1 \$ 1.70	1	13
	40 1 619 X09 618	Handle		1 \$ 2.94	1	16
	42 1 619 X01 253	Bearing Plate		1 \$ 4.31	1	18
	43 1 619 X01 255	Guard Plate		1 \$ 3.73	1	17
	45 1 619 X01 228	Cover		1 \$ 1.12	1	11
	46 1 619 X01 268	Device cap		1 \$ 1.12	2	11
	47 1 619 X04 712	O-Ring		1 \$ 0.68	1	10

Item	Part Number	Description	Illustration	Price	Quantity	Price Group
48	1 619 X04 780	Collar	1	\$ 6.57	1	21
55	1 619 X04 676	Ball Bearing	1	\$ 2.58	1	15
57	2 610 315 299	Screw	1	\$ 0.68	2	10
58	1 619 X09 700	Screw	1	\$ 0.68	4	10
59	1 619 X03 644	Screw	1	\$ 0.68	1	10
60	1 619 X06 222	O-Ring	1	\$ 0.68	1	10
62	1 619 X09 705	Screw	1	\$ 0.68	3	10
63	1 619 X09 708	Screw	1	\$ 0.68	3	10
64	1 619 X01 786	Contact Screw	1	\$ 0.68	3	10
65	1 619 X09 707	Washer	1	\$ 0.68	3	10
67	1 619 X04 687	O-Ring	1	\$ 0.68	1	10
68	1 619 X09 702	Screw	1	\$ 0.68	3	10
69	1 619 X09 155	Lock Nut	1	\$ 0.68	1	10
71	2 610 027 002	Screw	1	\$ 0.68	4	10
73	2 610 004 459	Spring Washer	1	\$ 1.12	1	11
74	1 619 X01 257	Rubber Gasket	1	\$ 1.12	1	11
75	1 619 X07 731	Seal	1	\$ 2.58	1	15
78	1 619 X04 740	Seal	1	\$ 4.31	1	18
79	1 619 X09 701	Screw	1	\$ 0.68	4	10
81	2 610 329 952	Screw	1	\$ 1.70	2	13
82	1 600 210 070	O-Ring	1	\$ 0.68	1	10
83	1 619 X06 230	Set Of Handles	1	\$ 6.57	1	21
84	2 610 318 324	Nut	1	\$ 1.12	1	11
85	1 619 X09 703	Special Nut	1	\$ 1.70	1	13
86	1 619 X09 706	Screw	1	\$ 0.68	4	10
87	1 619 X09 621	Adapter	1	\$ 3.73	1	17
90	1 619 X05 948	Bearing Cover	1	\$ 1.12	1	11
91	1 619 X06 749	Screw	1	\$ 0.68	4	10
94	1 610 210 014	O-Ring 8,0x2,5 MM	1	\$ 1.12	1	11
95	1 619 X09 624	Screw	1	\$ 0.68	1	10
96	1 619 X09 625	Water Feed	1	\$ 34.00	1	36
97	1 619 X09 626	Bracket	1	\$ 4.31	1	18
98	2 916 011 014	Plain Washer DIN 125-A 6,4-ST	1	\$ 0.68	1	10
99	1 619 X09 628	Bolt	1	\$ 1.12	1	11
100	1 619 X09 629	Adjustment unit	1	\$ 9.84	1	24
101	1 619 X09 630	Spring	1	\$ 2.58	1	15
102	1 619 X09 631	Spring seat	1	\$ 2.58	1	15
103	1 619 X09 668	Screw	1	\$ 1.12	1	11
122	1 619 X05 847	Washer	1	\$ 0.68	1	10
801	1 619 X09 836	Motor Housing	1	\$ 26.50	1	34
808	1 619 X09 807	Nameplate	1	-,-	1	-
810	1 619 X08 020	Carbon-Brush Set	1	\$ 4.94	2	19
829	1 619 X09 824	Base Plate	1	\$ 59.00	1	41
830	1 619 X09 823	Gear Housing	1	\$ 26.50	1	34
834	1 619 X09 825	Set Of Gears	1	\$ 34.00	1	36
838	1 619 X09 826	Upper guard	1	\$ 24.00	1	33
870	1 619 X09 014	groove ball bearing	1	\$ 3.73	1	17

Illustration - Type E



Information subject to change without further notice.