

Circular hand saw - F 012 792 000 - SPT 79 A

| Item | Part Number | Description | Illustration | Price | Quantity | Price Group |
|------|--------------------|--------------------------|--------------|----------|----------|-------------|
| | 2 1 609 730 419 | Field | 1 | \$ 38.00 | 1 | 37 |
| | 3 1 619 P12 636 | Armature | 1 | \$ 78.00 | 1 | 44 |
| | 4 1 609 730 420 | Switch | 2 | \$ 9.84 | 1 | 24 |
| | 5 1 619 X09 889 | Power supply cord | 2 | \$ 42.00 | 1 | 38 |
| | 6 1 619 X08 308 | Grommet | 2 | \$ 2.94 | 1 | 16 |
| | 7 1 619 X04 671 | Cable Clip | 2 | \$ 0.68 | 1 | 10 |
| | 8 1 619 X09 890 | Nameplate | 1 | \$ 0.68 | 1 | 10 |
| | 9 1 619 X09 806 | Manufacturer's nameplate | 1 | \$ 0.68 | 1 | 10 |
| | 13 2 610 017 348 | groove ball bearing | 1 | \$ 2.01 | 1 | 14 |
| | 14 2 610 024 748 | Ball Bearing | 1 | \$ 2.58 | 1 | 15 |
| | 18 2 610 901 971 | Screw | 2 | \$ 0.68 | 1 | 10 |
| | 20 1 619 X09 606 | Warning Plate | 1 | \$ 0.68 | 1 | 10 |
| | 22 1 619 X09 219 | Hood | 1 | \$ 1.12 | 1 | 11 |
| | 23 1 619 X09 607 | Washer | 1 | \$ 2.01 | 1 | 14 |
| | 24 1 619 X09 608 | Washer | 1 | \$ 3.73 | 1 | 17 |
| | 25 1 619 X04 684 | Oil Drain Plug | 1 | \$ 5.72 | 1 | 20 |
| | 25/4 1 616 B10 364 | O-Ring | 1 | \$ 0.68 | 1 | 10 |
| | 26 1 619 X09 609 | Collar bolt | 1 | \$ 1.12 | 1 | 11 |
| | 27 1 619 X09 891 | Handle | 1 | \$ 2.01 | 1 | 14 |
| | 28 1 619 X09 892 | Housing | 1 | \$ 4.94 | 1 | 19 |
| | 29 1 619 X09 893 | Base Plate | 2 | \$ 42.00 | 1 | 38 |
| | 29/1 1 619 X09 921 | Wheel | 2 | \$ 7.57 | 4 | 22 |
| | 29/2 1 619 X09 922 | Bolt | 2 | \$ 1.12 | 4 | 11 |
| | 29/3 1 619 X09 704 | Spring | 2 | \$ 0.68 | 1 | 10 |
| | 29/4 1 619 X09 620 | Pivot Pin | 2 | \$ 4.31 | 1 | 18 |
| | 29/5 1 619 X09 697 | Wrench Socket | 2 | \$ 2.58 | 1 | 15 |
| | 31 2 610 017 875 | Ball Bearing | 1 | \$ 2.94 | 1 | 16 |
| | 32 1 619 X09 895 | Module Pcb | 1 | \$ 30.50 | 1 | 35 |
| | 35 1 619 X09 897 | Pointer | 2 | \$ 17.50 | 1 | 30 |
| | 36 1 619 X09 993 | Screw | 2 | \$ 0.68 | 2 | 10 |
| | 37 1 619 X09 898 | Cord | 2 | \$ 34.00 | 1 | 36 |
| | 38 1 619 X09 616 | Upper guard | 1 | \$ 26.50 | 1 | 34 |

| Item | Part Number | Description | Illustration | Price | Quantity | Price Group |
|------|---------------|-------------------------------|--------------|----------|----------|-------------|
| 39 | 1 619 X09 964 | Dust Cap | 1 | \$ 1.70 | 1 | 13 |
| 40 | 1 619 X09 618 | Handle | 1 | \$ 2.94 | 1 | 16 |
| 42 | 1 619 X01 253 | Bearing Plate | 1 | \$ 4.31 | 1 | 18 |
| 43 | 1 619 X01 255 | Guard Plate | 1 | \$ 3.73 | 1 | 17 |
| 45 | 1 619 X01 228 | Cover | 1 | \$ 1.12 | 1 | 11 |
| 46 | 1 619 X01 268 | Device cap | 1 | \$ 1.12 | 2 | 11 |
| 47 | 1 619 X04 712 | O-Ring | 1 | \$ 0.68 | 1 | 10 |
| 48 | 1 619 X04 780 | Collar | 1 | \$ 6.57 | 1 | 21 |
| 52 | 1 619 X09 901 | Washer | 2 | \$ 0.68 | 1 | 10 |
| 53 | 1 619 X09 709 | Spring retaining ring | 2 | \$ 0.68 | 1 | 10 |
| 54 | 1 619 X09 903 | Lever | 2 | \$ 2.01 | 1 | 14 |
| 55 | 1 619 X04 676 | Ball Bearing | 1 | \$ 2.58 | 1 | 15 |
| 57 | 2 610 315 299 | Screw | 2 | \$ 0.68 | 2 | 10 |
| 58 | 1 619 X09 700 | Screw | 1 | \$ 0.68 | 10 | 10 |
| 59 | 1 619 X03 644 | Screw | 1 | \$ 0.68 | 1 | 10 |
| 60 | 1 619 X06 222 | O-Ring | 1 | \$ 0.68 | 1 | 10 |
| 62 | 1 619 X09 705 | Screw | 1 | \$ 0.68 | 11 | 10 |
| 63 | 1 619 X09 708 | Screw | 1 | \$ 0.68 | 3 | 10 |
| 64 | 1 619 X01 786 | Contact Screw | 1 | \$ 0.68 | 3 | 10 |
| 65 | 1 619 X09 707 | Washer | 1 | \$ 0.68 | 3 | 10 |
| 67 | 1 619 X04 687 | O-Ring | 1 | \$ 0.68 | 1 | 10 |
| 68 | 1 619 X09 702 | Screw | 1 | \$ 0.68 | 3 | 10 |
| 71 | 2 610 027 002 | Screw | 1 | \$ 0.68 | 4 | 10 |
| 73 | 2 610 004 459 | Spring Washer | 1 | \$ 1.12 | 2 | 11 |
| 74 | 1 619 X01 257 | Rubber Gasket | 1 | \$ 1.12 | 1 | 11 |
| 75 | 1 619 X07 731 | Seal | 1 | \$ 2.58 | 1 | 15 |
| 78 | 1 619 X04 740 | Seal | 1 | \$ 4.31 | 1 | 18 |
| 79 | 1 619 X09 701 | Screw | 1 | \$ 0.68 | 4 | 10 |
| 81 | 2 610 329 952 | Screw | 1 | \$ 1.70 | 2 | 13 |
| 82 | 1 600 210 070 | O-Ring | 1 | \$ 0.68 | 1 | 10 |
| 83 | 1 619 X09 904 | Set Of Handles | 2 | \$ 13.70 | 1 | 27 |
| 84 | 2 610 318 324 | Nut | 1 | \$ 1.12 | 1 | 11 |
| 85 | 1 619 X09 703 | Special Nut | 1 | \$ 1.70 | 1 | 13 |
| 86 | 1 619 X09 706 | Screw | 1 | \$ 0.68 | 4 | 10 |
| 90 | 1 619 X05 948 | Bearing Cover | 1 | \$ 1.12 | 1 | 11 |
| 91 | 1 619 X06 749 | Screw | 1 | \$ 0.68 | 4 | 10 |
| 93 | 1 619 X01 283 | Nut | 2 | \$ 1.70 | 1 | 13 |
| 95 | 1 619 X09 624 | Screw | 1 | \$ 0.68 | 1 | 10 |
| 97 | 1 619 X09 907 | Bracket | 2 | \$ 7.57 | 1 | 22 |
| 98 | 2 916 011 014 | Plain Washer DIN 125-A 6,4-ST | 1 | \$ 0.68 | 1 | 10 |
| 99 | 1 619 X09 908 | Bolt | 1 | \$ 1.12 | 1 | 11 |
| 102 | 1 619 X09 909 | Washer | 1 | \$ 0.68 | 1 | 10 |
| 103 | 1 619 X09 668 | Screw | 2 | \$ 1.12 | 5 | 11 |
| 107 | 1 619 X09 947 | Clip | 2 | \$ 0.68 | 4 | 10 |
| 108 | 1 619 X09 994 | Screw | 1 | \$ 0.68 | 2 | 10 |
| 109 | 1 609 730 412 | Screw | 1 | \$ 0.68 | 2 | 10 |
| 110 | 1 619 X09 986 | Connector | 1 | \$ 0.68 | 1 | 10 |
| 122 | 1 619 X05 847 | Washer | 1 | \$ 0.68 | 1 | 10 |
| 123 | 1 619 X09 919 | Screw | 2 | \$ 0.68 | 4 | 10 |
| 124 | 1 619 X09 916 | Tube | 2 | \$ 22.00 | 1 | 32 |

| Item | Part Number | Description | Illustration | Price | Quantity | Price Group |
|------|---------------|---------------------|--------------|----------|----------|-------------|
| 125 | 1 619 X09 914 | Screw | 2 | \$ 0.68 | 12 | 10 |
| 126 | 1 609 730 413 | Washer | 2 | \$ 0.68 | 12 | 10 |
| 127 | 1 619 X09 945 | Spacer | 2 | \$ 1.12 | 2 | 11 |
| 128 | 1 619 X09 917 | Tube | 2 | \$ 22.00 | 1 | 32 |
| 651 | 1 619 X09 905 | Adapter | 1 | \$ 4.94 | 1 | 19 |
| 652 | 1 619 X09 859 | Water Feed | 1 | \$ 49.00 | 1 | 39 |
| 653 | 1 619 X09 133 | Handle | 2 | \$ 4.31 | 1 | 18 |
| 801 | 1 609 730 414 | Motor Housing | 1 | \$ 34.00 | 1 | 36 |
| 810 | 1 619 X01 351 | Carbon-Brush Set | 1 | -,- | 1 | - |
| 830 | 1 619 X09 823 | Gear Housing | 1 | \$ 26.50 | 1 | 34 |
| 834 | 1 619 X09 825 | Set Of Gears | 1 | \$ 34.00 | 1 | 36 |
| 870 | 1 619 X09 015 | groove ball bearing | 1 | -,- | 1 | - |
| 890 | 1 609 730 415 | Tube | 2 | \$ 34.00 | 1 | 36 |
| 891 | 1 609 730 416 | Locking Bolt Set | 2 | \$ 11.12 | 1 | 25 |
| 892 | 1 609 730 417 | locking assembly | 2 | \$ 42.00 | 1 | 38 |
| 893 | 1 609 730 418 | locking assembly | 2 | \$ 42.00 | 1 | 38 |

Illustration - Type E

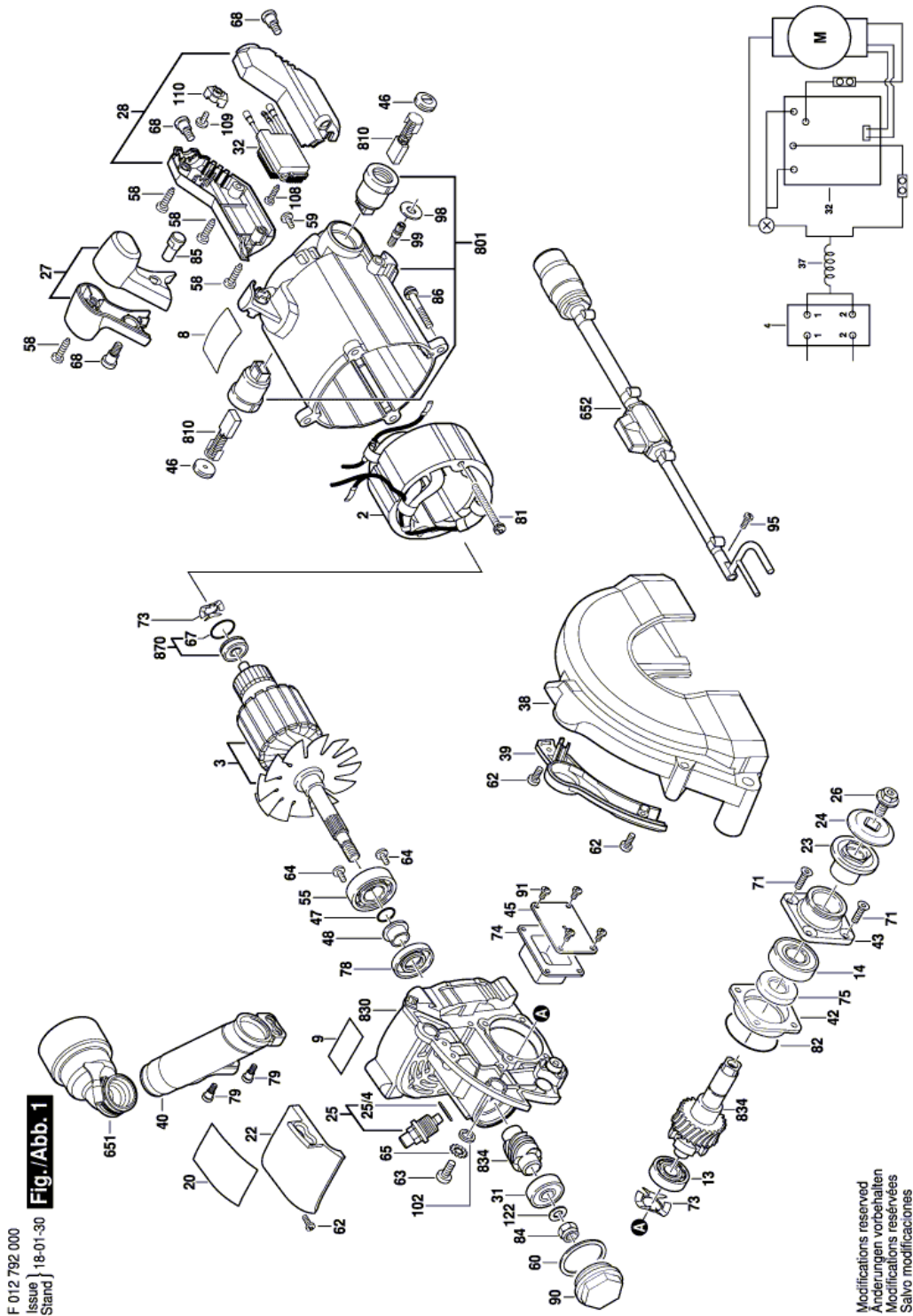
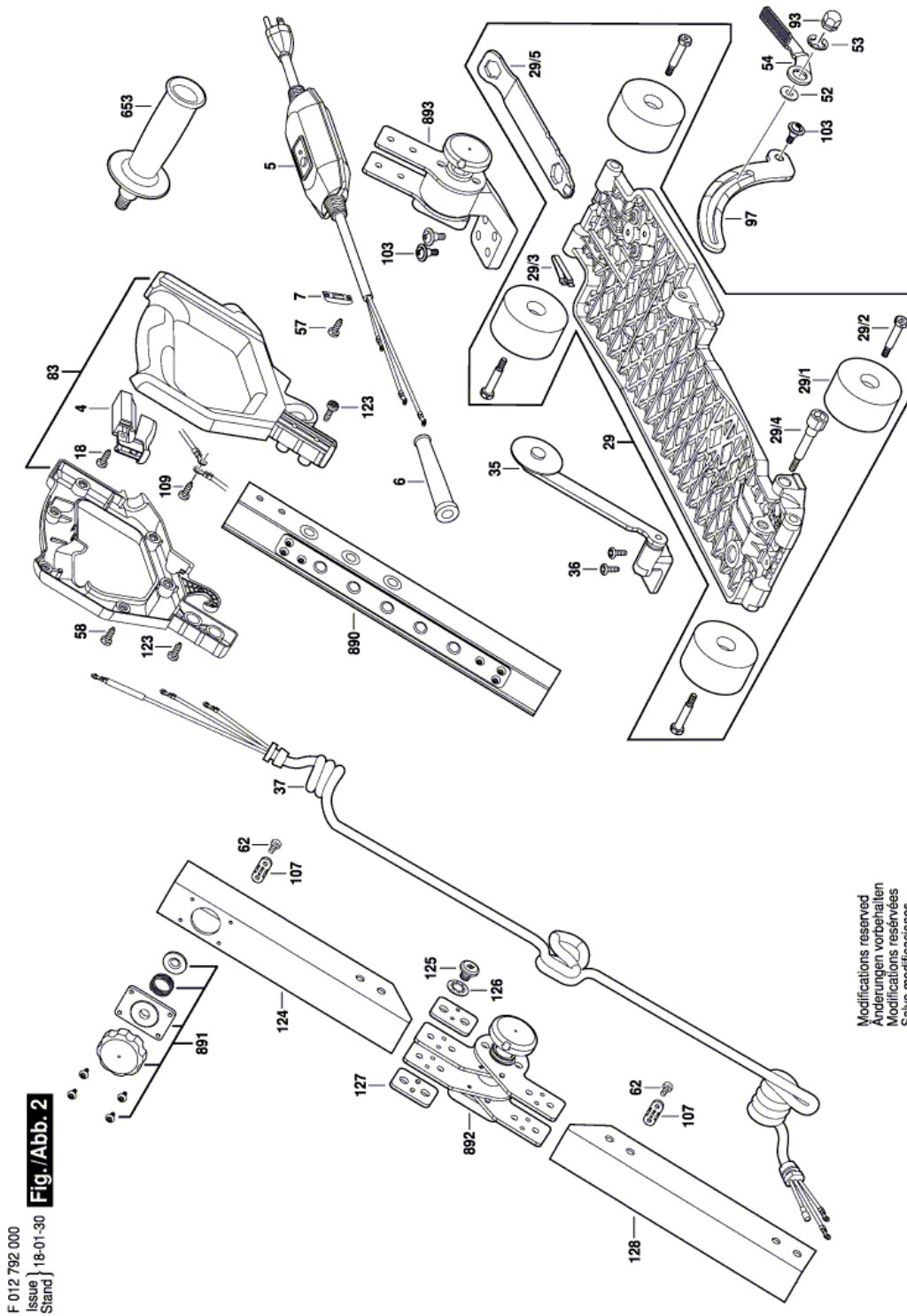


Illustration - Type E



Information subject to change without further notice.