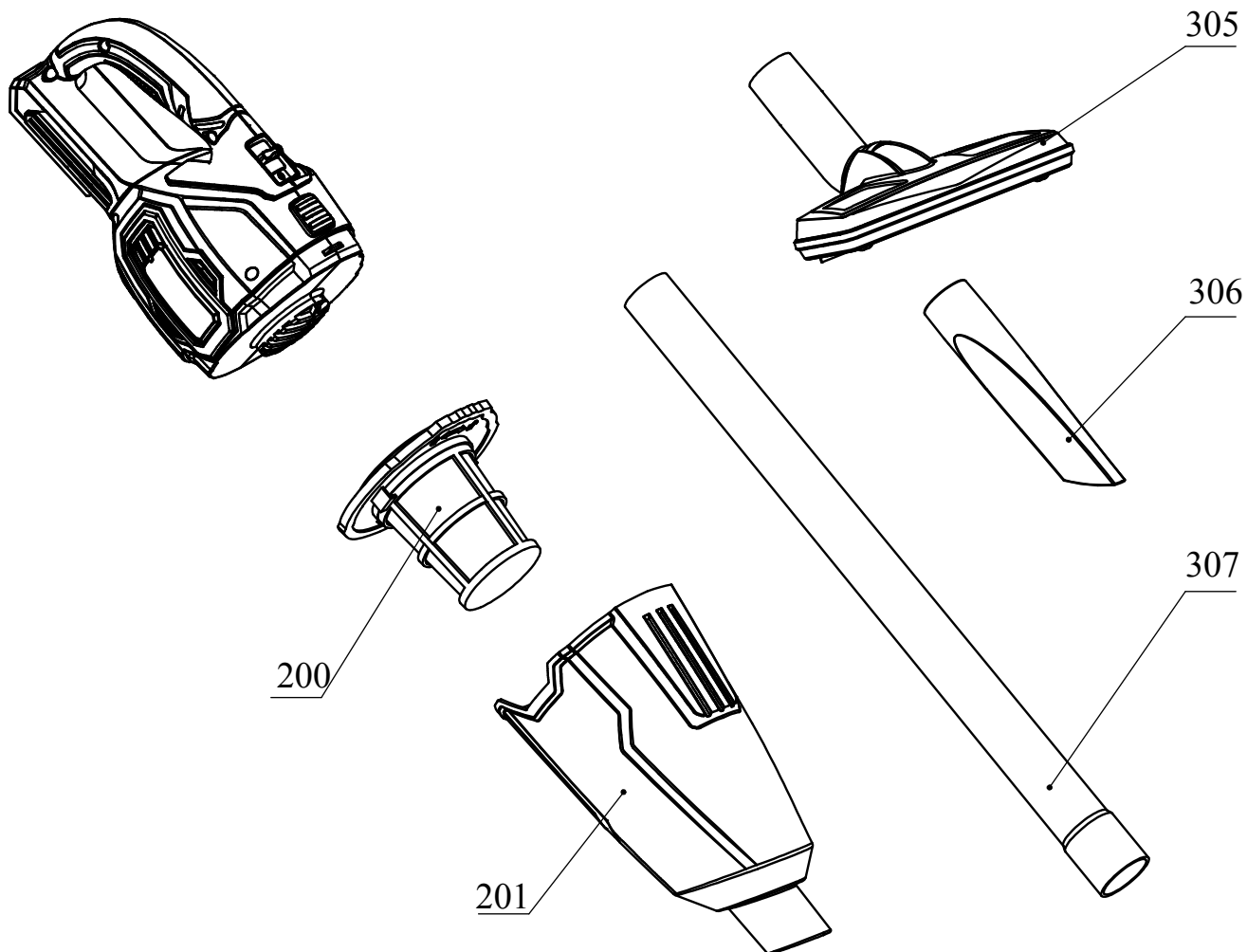




Product Description: Handheld Vacuum
Model Number: VA593601
Body Number: 0950000001
Version: A
Issue Date: 2019/07/08



| No. | Product Model# | Part Number | Description | Qty |
|-----|----------------|-------------|-------------------|-----|
| 201 | VA593601 | 2826622009 | Dust cup assembly | 1 |
| 200 | VA593601 | 2826622063 | Filter Housing | 1 |
| 305 | VA593601 | 2826622012 | floor nozzle | 1 |
| 306 | VA593601 | 3130253013 | Crevice Nozzle | 1 |
| 307 | VA593601 | 3130253014 | Suction Tube | 1 |