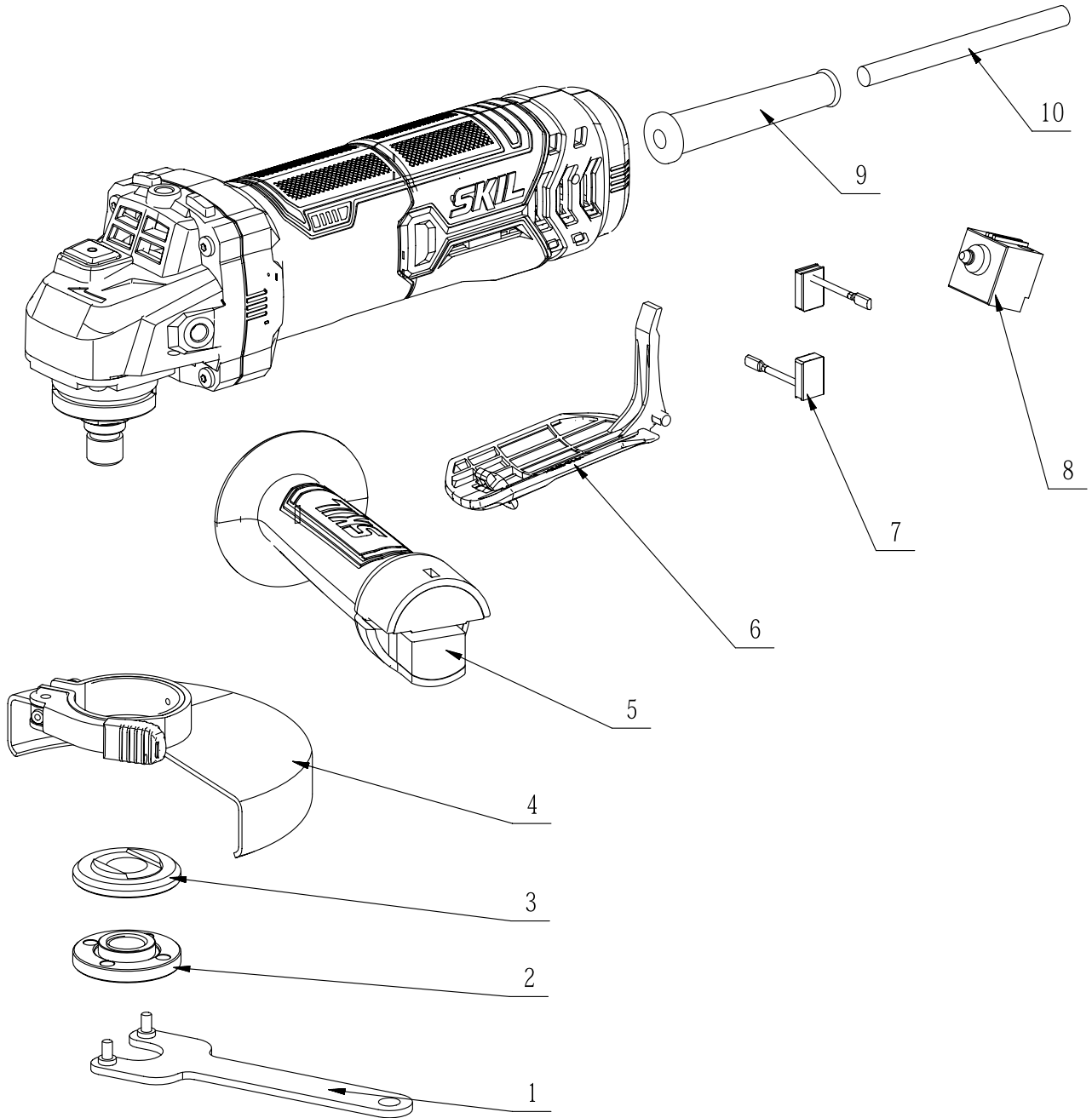




Product Description: Angle Grinder
Model Number: AG242001
Body Number: 0580212002
Version: A
Issue Date: 2018/12/10



No.	Product Model#	Part Number	Description	Qty
1	AG242001	3700567002	Wrench	1
2	AG242001	3550130003	Outer Flange	1
3	AG242001	3550131003	Inner Flange	1
4	AG242001	2825928002	Guard ASSY	1
5	AG242001	2825920001	Auxiliary Handle ASSY	1
6	AG242001	2824599001	Switch Lever ASSY	1
7	AG242001	4960301004	Carbon Brush	2
8	AG242001	4870023018	Switch	1
9	AG242001	3121065001	Cord Guard	1
10	AG242001	4810003255	Power Cord & Plug	1