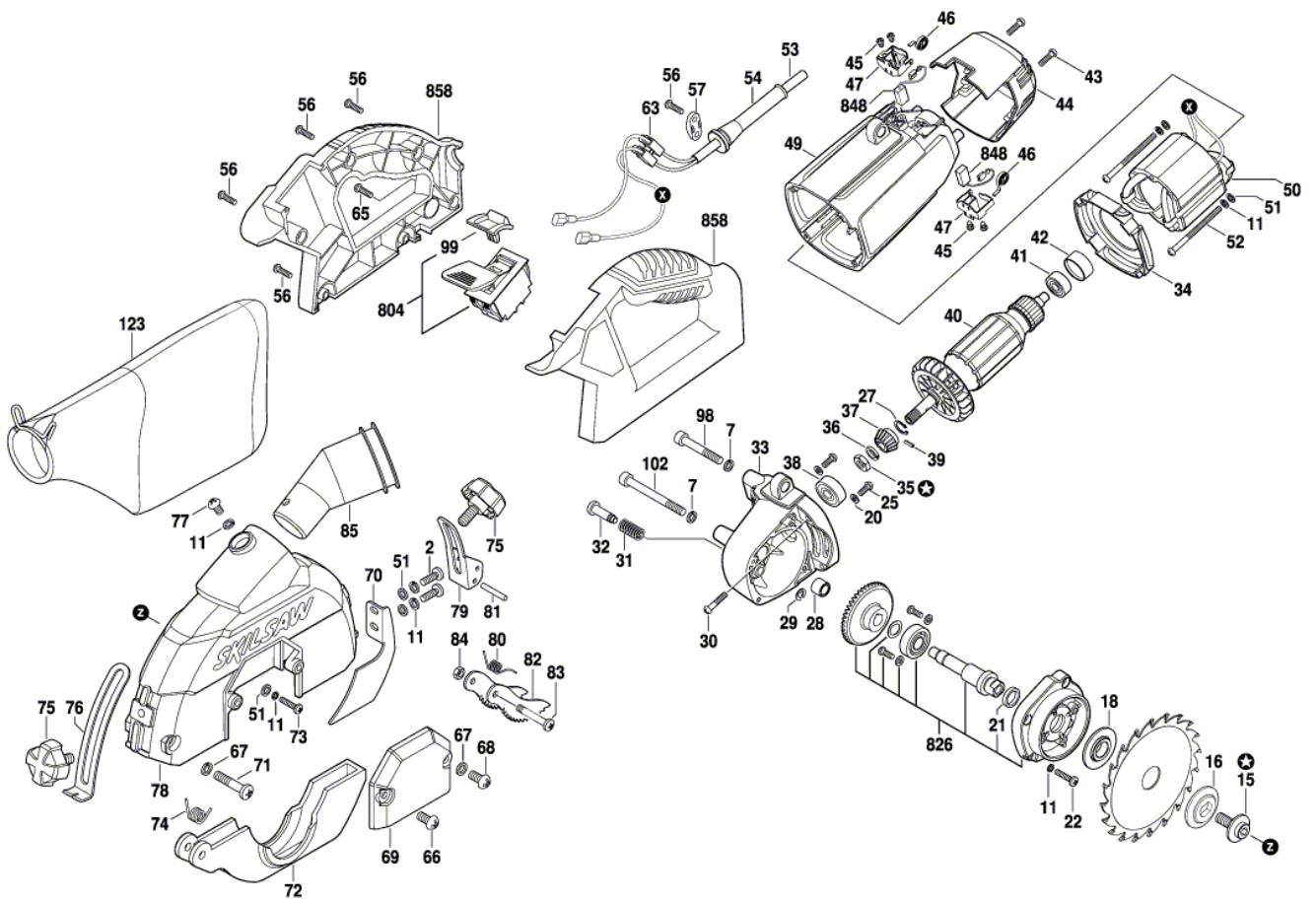
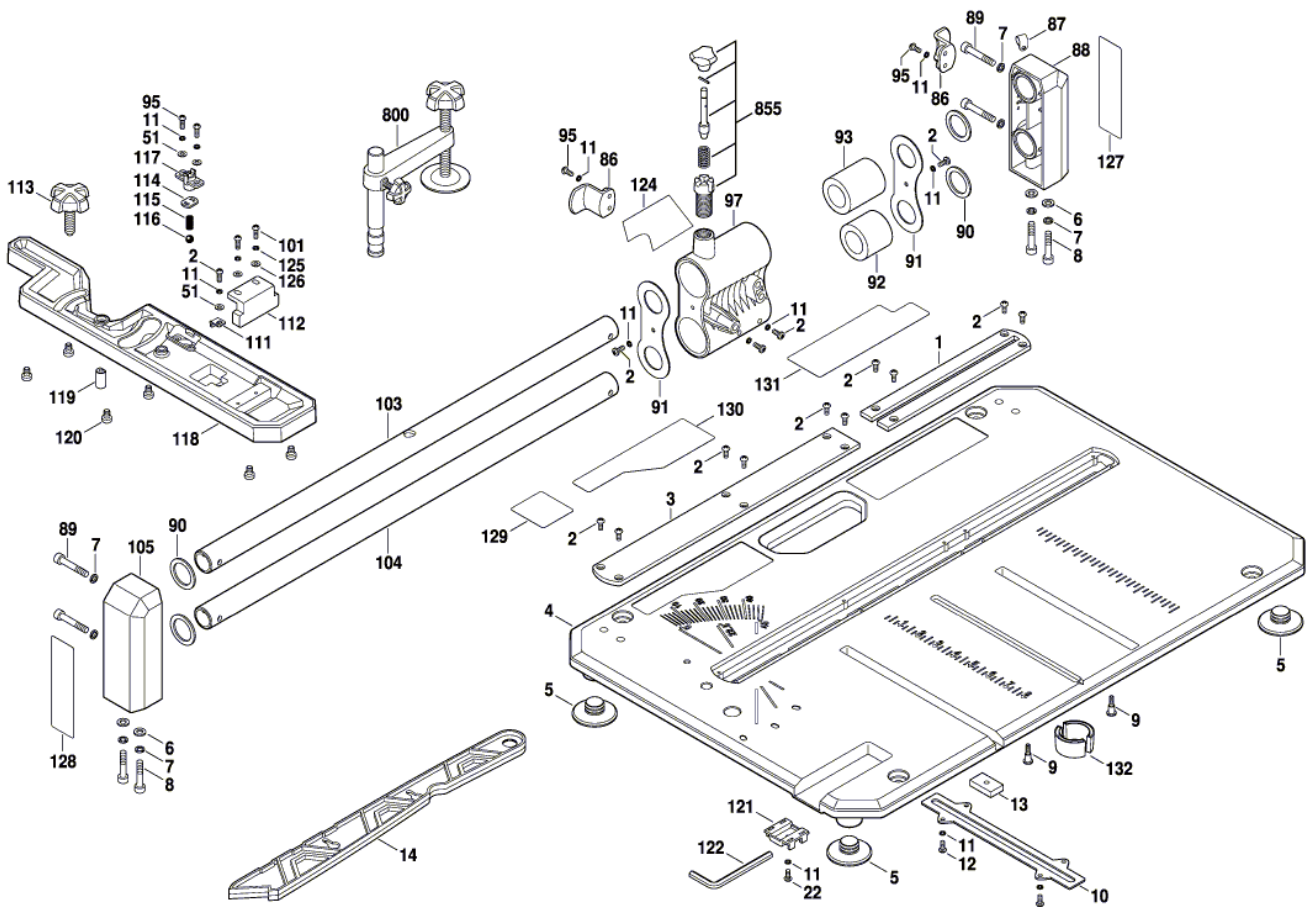


No.	Product Model#	Part Number	Description	Qty
1	3601-01	3130253156	Insert	1
2	3601-01	5610361121	Pan head screw	25
3	3601-01	3130253157	Insert	1
4	3601-01	3422506023	Turntable	1
5	3601-01	3130253158	Lever foot	4
6	3601-01	5650710057	Plain washer	4
7	3601-01	5650710058	Spring lock washer	11
8	3601-01	5650710059	Pan head screw	4
9	3601-01	5650710056	Pan head screw	2
10	3601-01	3130253168	Plate	1
11	3601-01	5650710060	Spring lock washer	33
12	3601-01	5650710061	Pan head screw	4
13	3601-01	5650710062	Plate	1
14	3601-01	3130253169	Pusher plate	1
15	3601-01	5640322012	Bolt	1
16	3601-01	3580000020	Flange	1
18	3601-01	3580000021	Flange	1
20	3601-01	3130253172	Key	4
21	3601-01	3130253173	Lever foot	1
22	3601-01	5610361124	Pan head screw	7
25	3601-01	5610361125	Pan head screw	4
27	3601-01	5690438029	Ring	1
28	3601-01	5700382031	Bearing	1
29	3601-01	5690438030	Ring	1
30	3601-01	5610361122	Pan head screw	1
31	3601-01	3660753036	Spring	1
32	3601-01	5670524019	Pin	1
33	3601-01	3130253175	Case	1
34	3601-01	3130253165	Baffle	1
35	3601-01	5630352020	Nut	1
36	3601-01	5650710063	Spring lock washer	1
37	3601-01	3570037001	Pinion	1
38	3601-01	5700382033	Bearing	1
39	3601-01	5670524020	Pin	1
40	3601-01	2751218010	Armature	1
41	3601-01	5700382034	Bearing	1
42	3601-01	3130253176	Bearing sleeve	1
43	3601-01	5610361120	Pan head screw	2
44	3601-01	3130253177	Cover	1
45	3601-01	5610361126	Pan head screw	4
46	3601-01	3660753037	Brush spring	2
47	3601-01	2800278009	Brush holder	2
49	3601-01	3130253166	Housing	1
50	3601-01	2740520010	Stator	1
51	3601-01	5650710064	Plain washer	19
52	3601-01	5610361127	Pan head screw	2
53	3601-01	4810237021	Plug	1
54	3601-01	3130253178	Cord guard	1
56	3601-01	5610361128	Pan head screw	7
57	3601-01	3130253180	Fastening clamp	1
63	3601-01	4930857004	Terminal	1
65	3601-01	5610361129	Pan head screw	1
66	3601-01	5610361130	Pan head screw	1

No.	Product Model#	Part Number	Description	Qty
67	3601-01	5650710065	Washer	1
68	3601-01	5610361131	Pan head screw	1
69	3601-01	3130253167	Cover	1
70	3601-01	3130253182	Riving knife	1
71	3601-01	5610361119	Pan head screw	1
72	3601-01	3130253183	Lower Guard	1
73	3601-01	5610361132	Pan head screw	1
74	3601-01	3660753035	Spring	1
75	3601-01	3130253184	Knob	3
76	3601-01	3130253185	Indicator	1
77	3601-01	5610361114	Pan head screw	1
78	3601-01	3130253137	Upper guard	1
79	3601-01	3553285030	Pawl	1
80	3601-01	3660753033	Spring	1
81	3601-01	5670524016	Pin	1
82	3601-01	3553285031	Pawl	1
83	3601-01	5610361115	Pan head screw	1
84	3601-01	5630352019	Nut	1
85	3601-01	3130253138	Control pressure port	1
86	3601-01	3130253139	Special channel trap	2
87	3601-01	3130253140	Fastening clamp	1
88	3601-01	3130253141	Holder	1
89	3601-01	5610361123	Pan head screw	4
90	3601-01	5690438028	Rubber retaining ring	4
91	3601-01	3130253159	Plate	2
92	3601-01	5700382028	Bearing	1
93	3601-01	5700382029	Bearing	1
95	3601-01	5610361116	Pan head screw	6
97	3601-01	3130253161	Adjusting slide	1
98	3601-01	5610361117	Pan head screw	2
99	3601-01	3130253142	Key	1
101	3601-01	5670524017	Locking pin	1
102	3601-01	5610361118	Screw	1
103	3601-01	3130253162	Bar	1
104	3601-01	3130253143	Bar	1
105	3601-01	3130253144	Holder	1
111	3601-01	3130253147	Indicator	1
112	3601-01	3130253160	Slide	1
113	3601-01	3130253148	Knob	1
114	3601-01	3130253149	Cover	1
115	3601-01	3660753034	Spring	1
116	3601-01	5700382030	Ball	1
117	3601-01	2826622087	Bit holder	1
118	3601-01	3130253150	Guide	1
119	3601-01	3130253151	Guide pivot	1
120	3601-01	3130253152	Plate	6
121	3601-01	3130253164	Key holder	1
122	3601-01	3130253153	Mains key	1
123	3601-01	3800156003	Dust bag	1
124	3601-01	2244472041	Nameplate	1
127	3601-01	2244472037	Warning label	1
128	3601-01	2244472038	Warning label	1
129	3601-01	2244472039	Warning label	1

No.	Product Model#	Part Number	Description	Qty
130	3601-01	2244472040	Warning label	1
131	3601-01	2244472042	Warning label	1
132	3601-01	3130253154	Rubber	2
800	3601-01	2826622088	Clamp	1
826	3601-01	2826622089	Gear	1
848	3601-01	4960384013	Brush	1
858	3601-01	3130253155	Handle	1
855	3601-01	2826622090	Knob assembly	1
804	3601-01	4870696027	Switch kit	1
125	3601-01	5650710101	Spring Washer	1
126	3601-01	5650710102	Plain Washer	1





No.	Product Model#	Part Number	Description	Qty
1	3601-02	3130253156	Insert	1
2	3601-02	5610361121	Pan head screw	25
3	3601-02	3130253157	Insert	1
4	3601-02	3422506023	Turntable	1
5	3601-02	3130253158	Lever foot	4
6	3601-02	5650710057	Plain washer	4
7	3601-02	5650710058	Spring lock washer	11
8	3601-02	5650710059	Pan head screw	4
9	3601-02	5650710056	Pan head screw	2
10	3601-02	3130253168	Plate	1
11	3601-02	5650710060	Spring lock washer	33
12	3601-02	5650710061	Pan head screw	4
13	3601-02	5650710062	Plate	1
14	3601-02	3130253169	Pusher plate	1
15	3601-02	5640322012	Bolt	1
16	3601-02	3580000020	Flange	1
18	3601-02	3580000021	Flange	1
20	3601-02	3130253172	Key	4
21	3601-02	3130253173	Lever foot	1
22	3601-02	5610361124	Pan head screw	7
25	3601-02	5610361125	Pan head screw	4
27	3601-02	5690438029	Ring	1
28	3601-02	5700382031	Bearing	1
29	3601-02	5690438030	Ring	1
30	3601-02	5610361122	Pan head screw	1
31	3601-02	3660753036	Spring	1
32	3601-02	5670524019	Pin	1
33	3601-02	3130253175	Case	1
34	3601-02	3130253165	Baffle	1
35	3601-02	5630352020	Nut	1
36	3601-02	5650710063	Spring lock washer	1
37	3601-02	3570037001	Pinion	1
38	3601-02	5700382033	Bearing	1
39	3601-02	5670524020	Pin	1
40	3601-02	2751218010	Armature	1
41	3601-02	5700382034	Bearing	1
42	3601-02	3130253176	Bearing sleeve	1
43	3601-02	5610361120	Pan head screw	2
44	3601-02	3130253177	Cover	1
45	3601-02	5610361126	Pan head screw	4
46	3601-02	3660753037	Brush spring	2
47	3601-02	2800278009	Brush holder	2
49	3601-02	3130253166	Housing	1
50	3601-02	2740520010	Stator	1
51	3601-02	5650710064	Plain washer	19
52	3601-02	5610361127	Pan head screw	2
53	3601-02	4810237021	Plug	1
54	3601-02	3130253178	Cord guard	1
56	3601-02	5610361128	Pan head screw	7
57	3601-02	3130253180	Fastening clamp	1
63	3601-02	4930857004	Terminal	1
65	3601-02	5610361129	Pan head screw	1
66	3601-02	5610361130	Pan head screw	1

No.	Product Model#	Part Number	Description	Qty
67	3601-02	5650710065	Washer	1
68	3601-02	5610361131	Pan head screw	1
69	3601-02	3130253167	Cover	1
70	3601-02	3130253182	Riving knife	1
71	3601-02	5610361119	Pan head screw	1
72	3601-02	3130253183	Lower Guard	1
73	3601-02	5610361132	Pan head screw	1
74	3601-02	3660753035	Spring	1
75	3601-02	3130253184	Knob	3
76	3601-02	3130253185	Indicator	1
77	3601-02	5610361114	Pan head screw	1
78	3601-02	3130253137	Upper guard	1
79	3601-02	3553285030	Pawl	1
80	3601-02	3660753033	Spring	1
81	3601-02	5670524016	Pin	1
82	3601-02	3553285031	Pawl	1
83	3601-02	5610361115	Pan head screw	1
84	3601-02	5630352019	Nut	1
85	3601-02	3130253138	Control pressure port	1
86	3601-02	3130253139	Special channel trap	2
87	3601-02	3130253140	Fastening clamp	1
88	3601-02	3130253141	Holder	1
89	3601-02	5610361123	Pan head screw	4
90	3601-02	5690438028	Rubber retaining ring	4
91	3601-02	3130253159	Plate	2
92	3601-02	5700382028	Bearing	1
93	3601-02	5700382029	Bearing	1
95	3601-02	5610361116	Pan head screw	6
97	3601-02	3130253161	Adjusting slide	1
98	3601-02	5610361117	Pan head screw	2
99	3601-02	3130253142	Key	1
101	3601-02	5670524017	Locking pin	1
102	3601-02	5610361118	Screw	1
103	3601-02	3130253162	Bar	1
104	3601-02	3130253143	Bar	1
105	3601-02	3130253144	Holder	1
111	3601-02	3130253147	Indicator	1
112	3601-02	3130253160	Slide	1
113	3601-02	3130253148	Knob	1
114	3601-02	3130253149	Cover	1
115	3601-02	3660753034	Spring	1
116	3601-02	5700382030	Ball	1
117	3601-02	2826622087	Bit holder	1
118	3601-02	3130253150	Guide	1
119	3601-02	3130253151	Guide pivot	1
120	3601-02	3130253152	Plate	6
121	3601-02	3130253164	Key holder	1
122	3601-02	3130253153	Mains key	1
123	3601-02	3800156003	Dust bag	1
124	3601-02	2244472041	Nameplate	1
127	3601-02	2244472037	Warning label	1
128	3601-02	2244472038	Warning label	1
129	3601-02	2244472039	Warning label	1

No.	Product Model#	Part Number	Description	Qty
130	3601-02	2244472040	Warning label	1
131	3601-02	2244472042	Warning label	1
132	3601-02	3130253154	Rubber	2
800	3601-02	2826622088	Clamp	1
826	3601-02	2826622089	Gear	1
848	3601-02	4960384013	Brush	1
858	3601-02	3130253155	Handle	1
855	3601-02	2826622090	Knob assembly	1
804	3601-02	4870696027	Switch kit	1
125	3601-02	5650710101	Spring Washer	1
126	3601-02	5650710102	Plain Washer	1