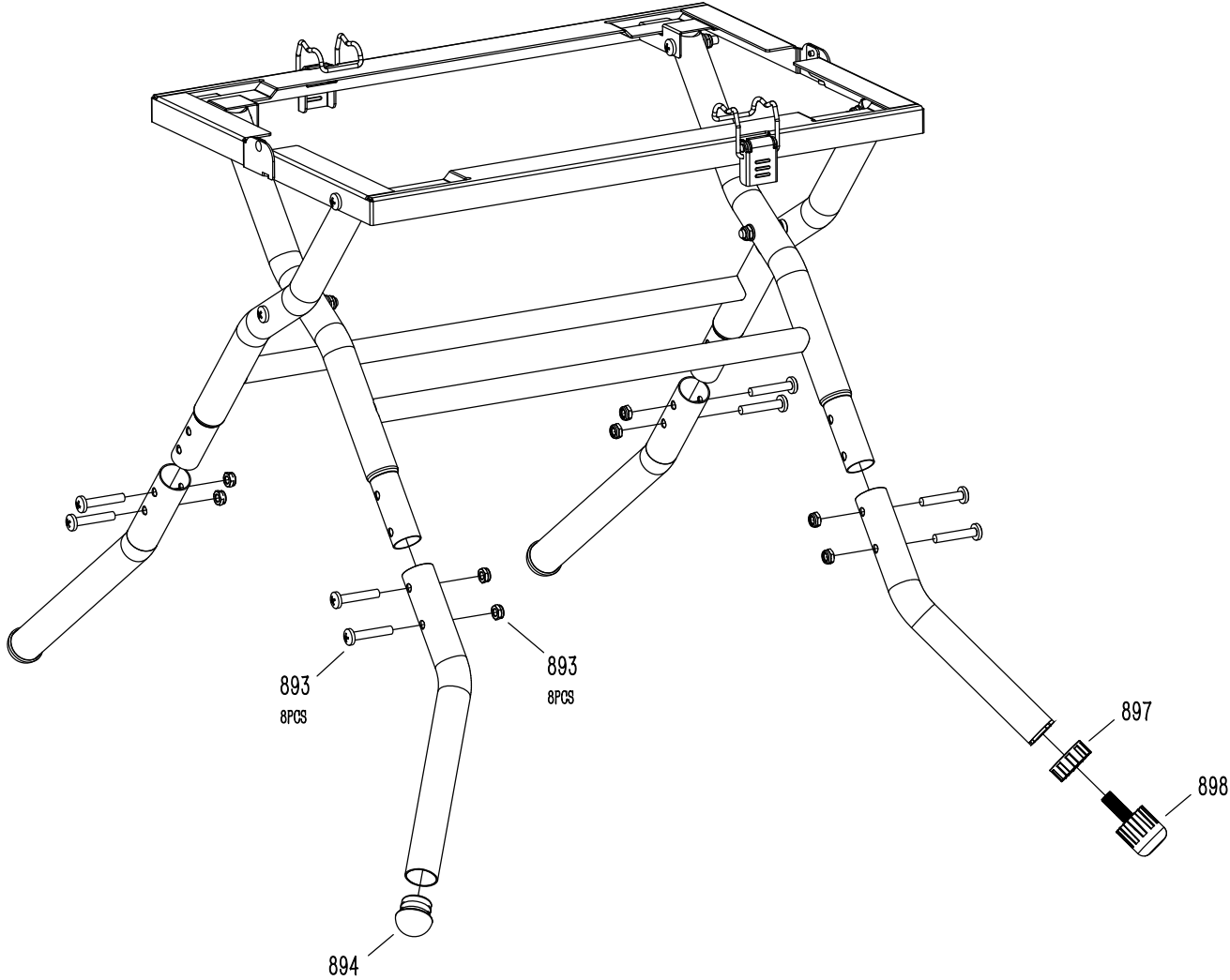




Product Description: Folding Table Saw Stand  
Model Number: SPT5003-FS  
Body Number: 0180001001  
Version: A  
Issue Date: 2020/02/13



| No. | Product Model# | Part Number | Description     | Qty |
|-----|----------------|-------------|-----------------|-----|
| 893 | SPT5003-FS     | 5640322026  | Bolt set        | 1   |
| 894 | SPT5003-FS     | 3130253418  | foot cover      | 3   |
| 898 | SPT5003-FS     | 3130253419  | adjustable foot | 1   |
| 897 | SPT5003-FS     | 3130253420  | Locking ring    | 1   |