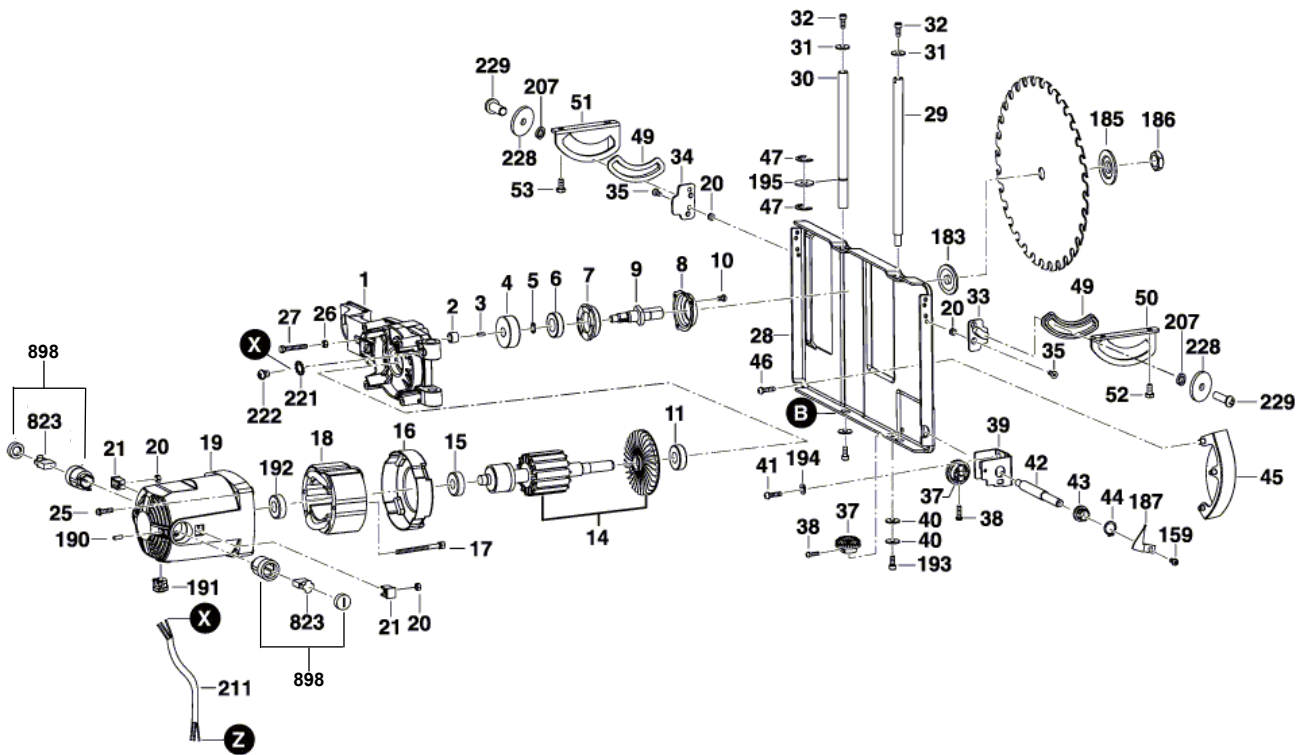
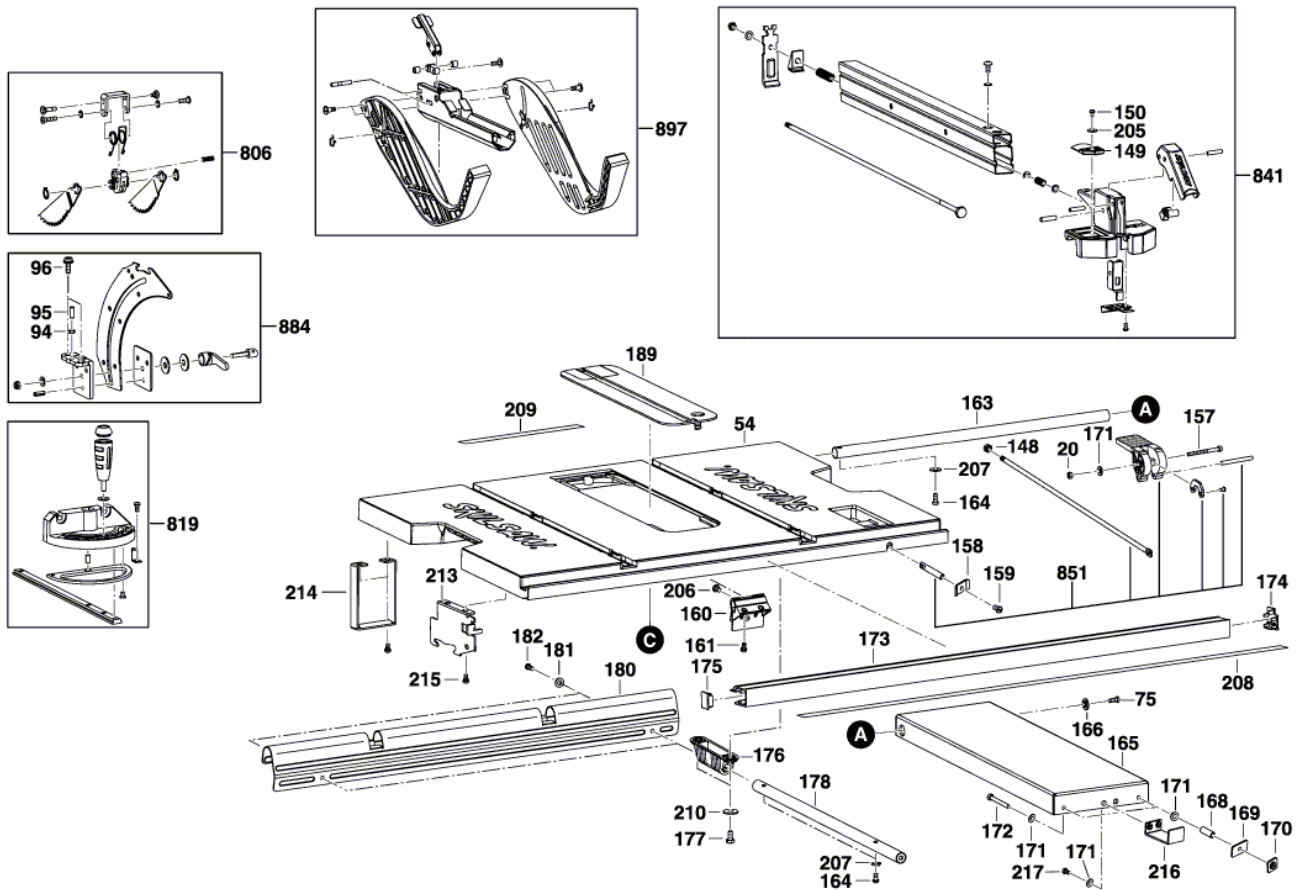




Product Description: Table Saw
Model Number: 3410-02
Body Number: 0200008018
Version: A
Issue Date: 2021/08/19





No.	Product Model#	Part Number	Description	Qty
1	3410-02	3422506046	Gear Housing	1
2	3410-02	5700382046	Needle-Roller Bearing	1
3	3410-02	3553285059	Woodruff Key	1
4	3410-02	3570037007	Reduction Gear	1
5	3410-02	5690438036	Spring retaining ring	1
6	3410-02	5700382050	Ball Bearing	1
7	3410-02	3521181008	Bearing Housing	1
8	3410-02	3706973081	Bearing cover	1
9	3410-02	3553285060	Output Shaft	1
10	3410-02	5610361230	Attachment Screw	3
11	3410-02	5700382047	Ball Bearing	1
14	3410-02	2751218014	Armature With Fan	1
15	3410-02	5700382048	Ball Bearing	1
16	3410-02	3130253313	Baffle	1
17	3410-02	5640322023	Hexagon Bolt	2
18	3410-02	2740520014	Stator	1
19	3410-02	3130253314	Motor Housing	1
20	3410-02	5630352041	Self-locking nut	10
21	3410-02	3130253315	Insert	2
25	3410-02	5610361231	Pan head screw	4
26	3410-02	5630352042	Plastic Nut	1
27	3410-02	5610361256	Adjusting Screw	1
28	3410-02	3706973082	Linear Carriage	1
29	3410-02	3521181009	Threaded Bar	1
30	3410-02	3521181011	Threaded Bar	1
31	3410-02	5650710114	Washer	4
32	3410-02	5610361232	Hex Socket Head Cap Screw	3
33	3410-02	3521181010	Front Plate	1
34	3410-02	3521181012	Rear Plate	1
35	3410-02	5610361233	Countersunk-Head Screw	4
37	3410-02	3570037008	Bevel Gear	2
38	3410-02	5610361234	Pan head screw	2
39	3410-02	3706973083	Mounting Plate	1
40	3410-02	5650710115	Washer	1
41	3410-02	5610361235	Hex Socket Head Cap Screw	2
42	3410-02	3553285061	Shaft	1
43	3410-02	5700382049	Flanged Bearing	1
44	3410-02	5690438046	Retaining ring	1
45	3410-02	3130253317	Safety Guard	1
46	3410-02	5610361236	Hex Socket Head Cap Screw	3
47	3410-02	5690438047	Retaining ring	2
48	3410-02	3130253318	Support	1
49	3410-02	3130253338	Spacer	2
50	3410-02	3706973084	Bracket	1
51	3410-02	3706973085	Bracket	1
52	3410-02	5640322020	Trunnion	2
53	3410-02	5610361257	Screw	2
54	3410-02	3706973086	Table	1
55	3410-02	3130253319	None	1
56	3410-02	3130253320	Base	4
57	3410-02	4870696045	On-Off Switch	1

No.	Product Model#	Part Number	Description	Qty
58	3410-02	3130253312	Cover Box	1
59	3410-02	4810237032	Power supply cord	1
60	3410-02	3130253321	Grommet	1
61	3410-02	3130253340	Clamp	1
62	3410-02	5610361237	Screw	2
63	3410-02	3706973087	Clamping Plate	1
64	3410-02	5610361238	Screw	6
65	3410-02	3130253342	Cam	2
66	3410-02	5650710128	Washer	4
67	3410-02	5610361239	Screw	2
68	3410-02	5610361240	Screw	4
69	3410-02	5650710116	Washer	1
70	3410-02	3130253322	Clamping Sleeve	1
71	3410-02	3130253323	Angle Lever	1
72	3410-02	5610361241	Set screw	1
73	3410-02	3660753054	Contact strap	1
74	3410-02	3130253324	Wheel	1
75	3410-02	5610361242	Screw	2
76	3410-02	3130253325	Crank Handle	1
77	3410-02	5610361243	Screw	1
78	3410-02	3130253326	Sealing cap	2
79	3410-02	5640322021	Clamping Bolt	1
80	3410-02	5680258022	Key	1
81	3410-02	5680258023	Adjusting Wrench	1
82	3410-02	5690438048	Spring retaining ring	1
83	3410-02	3130253327	Workpiece Pusher	1
94	3410-02	5630352034	Nut	1
95	3410-02	5610361244	Set screw	1
96	3410-02	5610361245	Screw	2
148	3410-02	5630352039	Plastic Nut	2
149	3410-02	3130253328	Pointer	1
150	3410-02	5610361246	Screw	1
157	3410-02	5610361247	Screw	1
158	3410-02	3706973088	Clamping Plate	1
159	3410-02	5610361259	Screw	2
160	3410-02	3130253339	Support clamp	1
161	3410-02	5610361248	Screw	2
163	3410-02	3553285064	Sliding Rod	1
164	3410-02	5610361260	Screw	5
165	3410-02	3706973089	Separating Table	1
166	3410-02	5650710117	Washer	1
168	3410-02	3553285062	Sleeve	2
169	3410-02	3706973090	Clamping Plate	2
170	3410-02	3706973091	Clamping Plate	2
171	3410-02	5650710118	Washer	7
172	3410-02	5640322022	Hexagon Bolt	2
173	3410-02	3706973092	Guide Rail	1
174	3410-02	3130253329	Sealing cap	1
175	3410-02	3130253330	Sealing cap	1
176	3410-02	3130253331	Guide Bracket	2
177	3410-02	5630352043	Hex Nut	4

No.	Product Model#	Part Number	Description	Qty
178	3410-02	3553285063	Guide Rod	2
180	3410-02	3706973093	Workpiece support	1
181	3410-02	5650710129	Washer	2
182	3410-02	5610361249	Screw	2
183	3410-02	5650710119	Locating Washer	1
185	3410-02	5650710120	Washer	1
186	3410-02	5630352045	Nut	1
187	3410-02	3130253332	Pointer	1
189	3410-02	3130253333	Insert	1
190	3410-02	5610361229	Set screw	2
191	3410-02	3130253334	Grommet	1
192	3410-02	3130253341	Bearing Housing	1
193	3410-02	5610361228	Screw	1
194	3410-02	5650710121	Washer	2
195	3410-02	5650710122	Washer	1
196	3410-02	5650710130	Washer	1
197	3410-02	5610361250	Screw	3
199	3410-02	5610361251	Screw	1
200	3410-02	2244472063	Warning Label	1
201	3410-02	2244472067	Warning Label	1
205	3410-02	5650710123	Washer	1
206	3410-02	5610361252	Screw	2
207	3410-02	5650710124	Spring Lock Washer	7
208	3410-02	2244472064	Label	1
209	3410-02	2244472065	Label	1
210	3410-02	5650710125	Washer	4
211	3410-02	4860645011	Wire	1
212	3410-02	2244472066	Nameplate	1
213	3410-02	3130253335	Mounting Bracket	1
214	3410-02	3130253336	Holding Bracket	1
215	3410-02	5610361253	Screw	4
216	3410-02	3130253337	End stop	1
217	3410-02	5610361254	Screw	2
228	3410-02	5650710126	Washer	2
229	3410-02	5610361258	Screw	2
806	3410-02	2826622159	Protection	1
819	3410-02	2826622161	Guide	1
823	3410-02	4960384020	Carbon-Brush Set	1
841	3410-02	2826622162	Guide	1
851	3410-02	2826622163	Assembly	1
884	3410-02	2826622160	Protection	1
897	3410-02	2826622164	Protection	1
221	3410-02	5650710127	Washer	1
222	3410-02	5610361261	Screw	2
224	3410-02	5610361255	Screw	1
225	3410-02	5630352044	Nut	1
227	3410-02	5630352040	Plastic Nut	1
898	3410-02	2800278022	Brush Holder and Brush cover set	1