



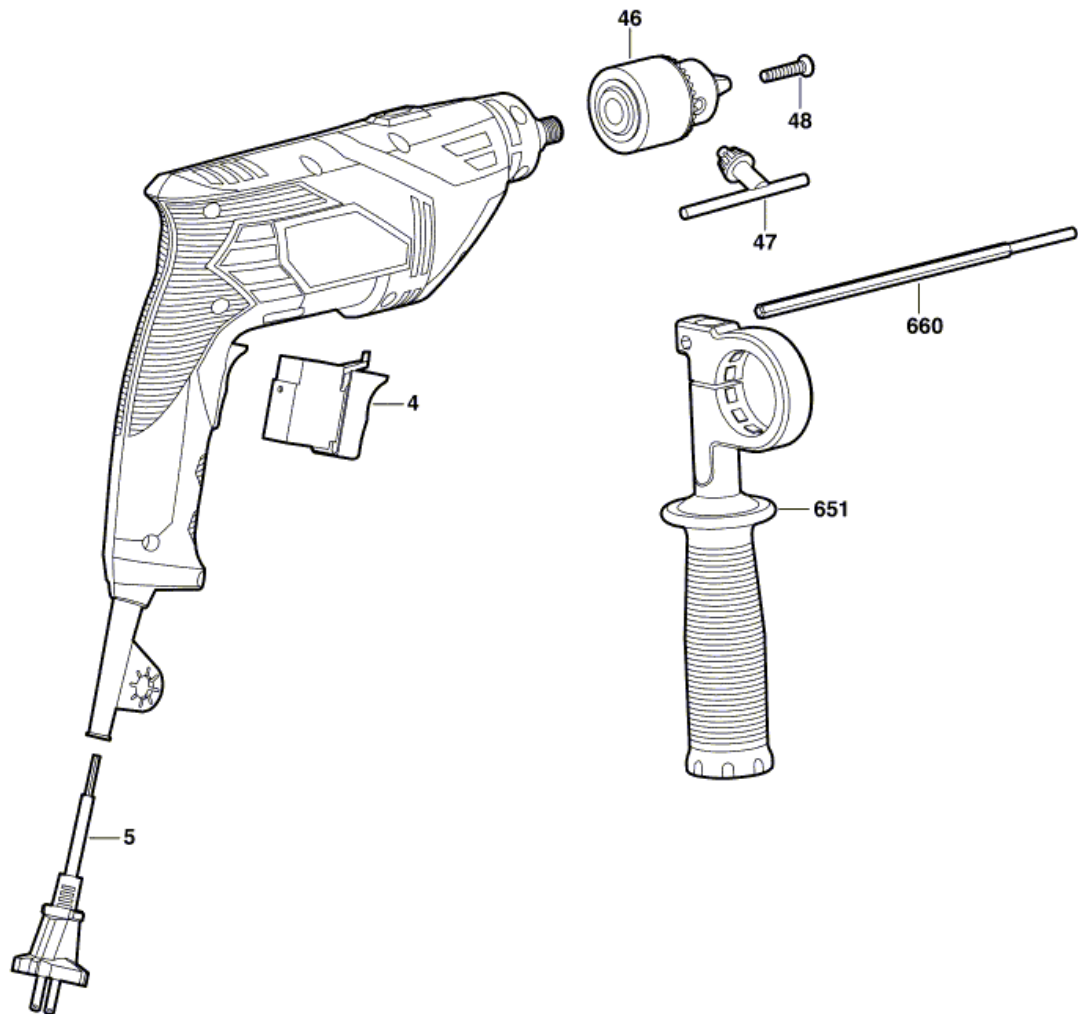
Product Description: Hammer Drill

Model Number: 6445-04

Body Number: 0010151005

Version: A

Issue Date: 2008/11/26



| No. | Product Model# | Part Number | Description      | Qty |
|-----|----------------|-------------|------------------|-----|
| 4   | 6445-04        | 4870696038  | On-Off Switch    | 1   |
| 5   | 6445-04        | 4810237025  | Cord             | 1   |
| 46  | 6445-04        | 3860157008  | Chuck/13mm       | 1   |
| 47  | 6445-04        | 3860157009  | Chuck Wrench     | 1   |
| 48  | 6445-04        | 5610361134  | Screw            | 1   |
| 651 | 6445-04        | 2826622140  | Auxiliary Handle | 1   |
| 660 | 6445-04        | 3553285046  | Depth-Gauge      | 1   |