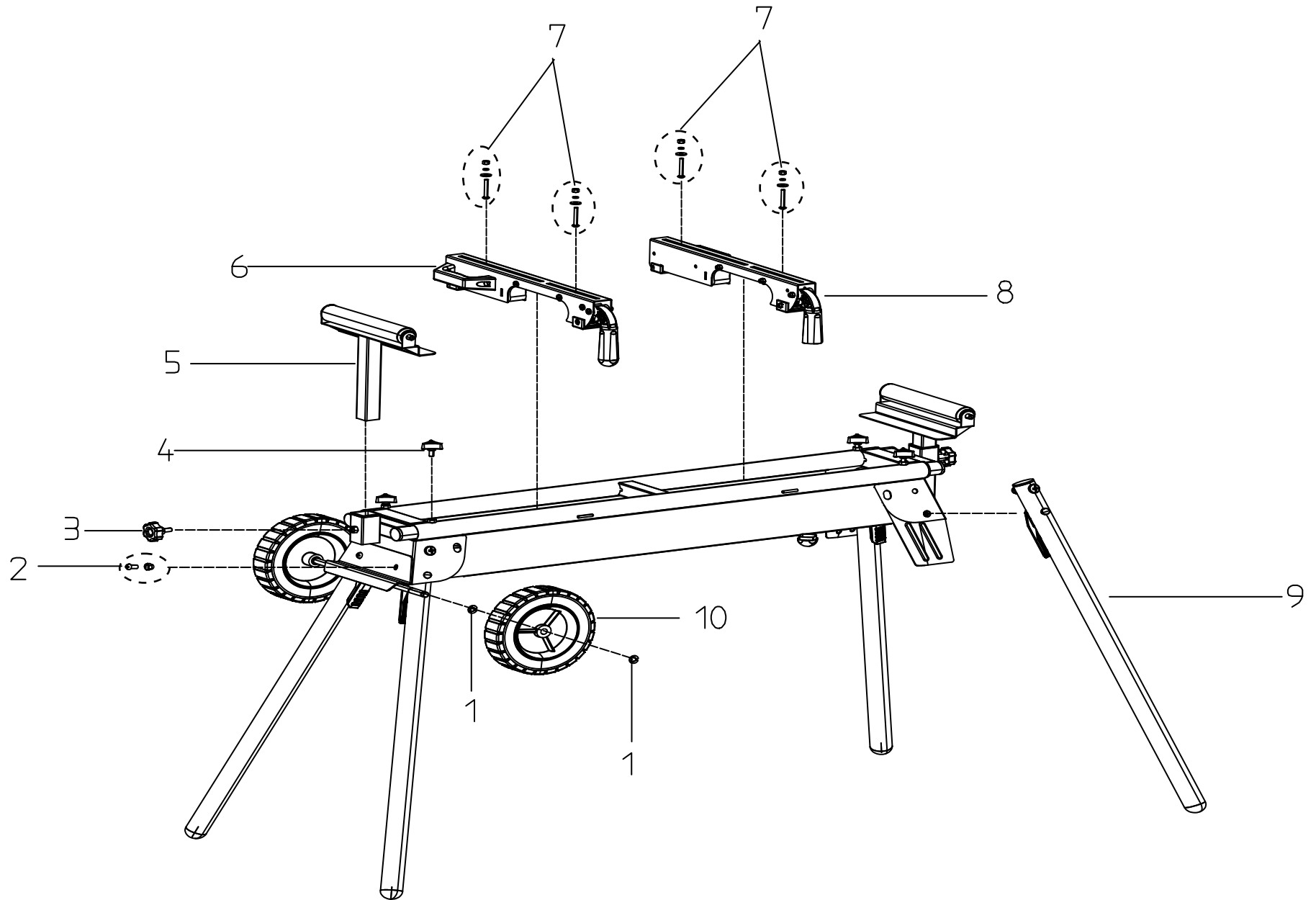




Product Description: Miter Saw Stand
Model Number: SRS0001
Body Number: FB10021001
Version: A
Issue Date: 2024/07/11



Service Part List_SRS0001_Version A

No.	Product Model#	Part Number	Description	Qty
1	SRS0001	5660428001	Open Retaining Ring	4
2	SRS0001	5611387001	M8 screw and nut assembly	2
3	SRS0001	5611388001	Locking knob	2
4	SRS0001	5611389001	Triangle locking knob	4
5	SRS0001	2852073001	Roller stand set	2
6	SRS0001	2852074001	Clamp parts set left	1
7	SRS0001	5611390001	Carriage bolt set	4
8	SRS0001	2852076001	Clamp parts set right	1
9	SRS0001	2852077001	Leg parts set	4
10	SRS0001	3324078001	Wheel	2