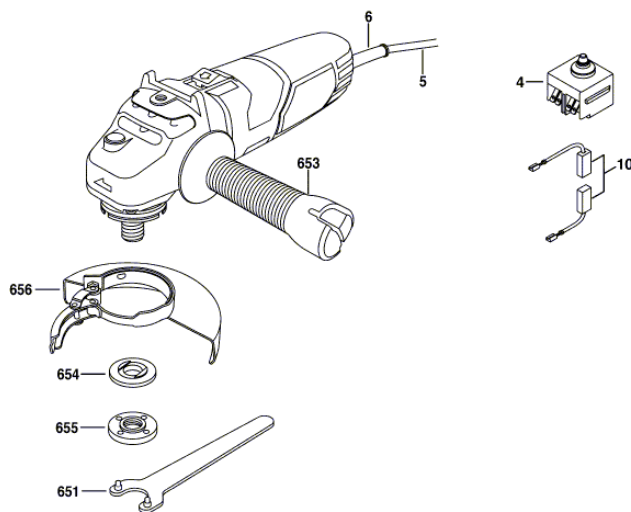


# Angle Grinder F 012 929 500 9295

09.03.2011 18:23:11

F 012 929 500  
Issue | 10-02-23  
Stand | **Fig./Abb. 1**



Modifications reserved  
Änderungen vorbehalten  
Modifications réservées  
Salvo modificaciones

Item	Quantity	Order No.	Designation	Price group	Page
4	1	2 610 008 513	On-Off Switch	20	1
5	1	2 610 008 514	Cord	23	1
6	1	2 610 008 517	Cord guard	10	1
10	1	2 610 008 518	Carbon-Brush Set	20	1
651	1	2 610 008 527	Pin-Type Face-Wrench	13	1
653	1	2 610 008 528	Auxiliary Handle	20	1
654	1	2 610 008 530	Flange	13	1
655	1	2 610 008 532	Flange	13	1
656	1	2 610 008 529	Wheel Guard	20	1